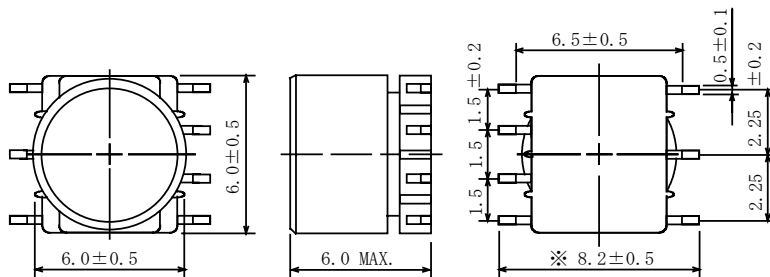
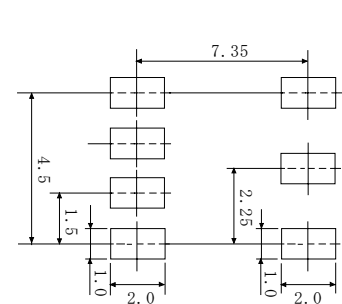


Type: CMD-6
◆ Product Description

- 6.5×6.5mm Max.(L×W), 6.0mm Max. Height.
- Inductance range: 22 μ H~10mH
- Rated current range: 30mA~650mA
- 7 Terminal pins' type gives a flexible design as inductors or transformers.
- Custom design is available.


◆ Feature

- Magnetically shielded construction.
- Ideally used in DSC/DVC,LCD TV,DVD, Game machine, STB ,Projector, Power supply module etc as DC-DC Converter inductors or transformers.
- RoHS Compliance

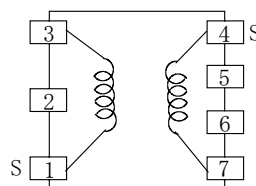
◆ Dimensions (mm)

◆ Land Pattern (mm)

◆ Specification (for transformers)

Sample No.	Inductance (1-3) 1kHz/1V	D.C.R. (1-3)	D.C.R. (4-7)	Rated current (1-3)
6304-T003	460μH±25%	4.2 Ω Max.	5.4 Ω (4.5)	140mA

※ Rated current: The DC current at which the inductance decreases to 90 % of it's initial value or when $\Delta t=40^{\circ}\text{C}$, whichever is lower($T_a=20^{\circ}\text{C}$).

※ Schematics (Bottom)

“S” is winding start.



Type: CMD-6
◆ Specification (for inductors)

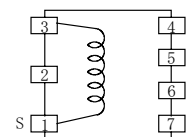
Part Name ※	Stamp	Inductance [Within]	Measuring Frequency	D.C.R.(Ω) [Max.] (at 20°C)	Qu [Min.]	S.R.F. (MHz) [Min.]	Rated Current (mA) ※1	Measuring Frequency
CMD6NP-220M□	220M	22μH ± 20%	2.52MHz	0.13	25	19	650	2.52MHz
CMD6NP-270M□	270M	27μH ± 20%	2.52MHz	0.14	25	18	590	2.52MHz
CMD6NP-330M□	330M	33μH ± 20%	2.52MHz	0.16	24	16	530	2.52MHz
CMD6NP-390M□	390M	39μH ± 20%	2.52MHz	0.21	25	14	490	2.52MHz
CMD6NP-470M□	470M	47μH ± 20%	2.52MHz	0.24	24	13	450	2.52MHz
CMD6NP-560M□	560M	56μH ± 20%	2.52MHz	0.3	24	12	410	2.52MHz
CMD6NP-680M□	680M	68μH ± 20%	2.52MHz	0.35	20	11	370	2.52MHz
CMD6NP-820M□	820M	82μH ± 20%	2.52MHz	0.45	23	10	340	2.52MHz
CMD6NP-101M□	101M	100μH ± 20%	1kHz	0.52	45	9.6	310	1kHz
CMD6NP-121M□	121M	120μH ± 20%	1kHz	0.58	50	8.6	280	1kHz
CMD6NP-151M□	151M	150μH ± 20%	1kHz	0.74	52	6.6	250	1kHz
CMD6NP-181M□	181M	180μH ± 20%	1kHz	0.83	52	6	230	1kHz
CMD6NP-221M□	221M	220μH ± 20%	1kHz	0.97	57	5.6	210	1kHz
CMD6NP-271M□	271M	270μH ± 20%	1kHz	1.45	62	5.3	190	1kHz
CMD6NP-331M□	331M	330μH ± 20%	1kHz	1.66	61	4.9	170	1kHz
CMD6NP-391M□	391M	390μH ± 20%	1kHz	1.86	63	4.6	150	1kHz
CMD6NP-471M□	471M	470μH ± 20%	1kHz	2.76	62	4.0	140	1kHz
CMD6NP-561M□	561M	560μH ± 20%	1kHz	3.07	68	3.6	130	1kHz
CMD6NP-681M□	681M	680μH ± 20%	1kHz	3.43	70	3.3	120	1kHz
CMD6NP-821M□	821M	820μH ± 20%	1kHz	4.66	69	3.1	110	1kHz
CMD6NP-102M□	102M	1.0mH ± 20%	1kHz	5.37	87	2.9	97	1kHz
CMD6NP-122M□	122M	1.2mH ± 20%	1kHz	7.0	56	2.75	85	50kHz
CMD6NP-152M□	152M	1.5mH ± 20%	1kHz	10.5	50	2.57	75	50kHz
CMD6NP-182M□	182M	1.8mH ± 20%	1kHz	11.5	49	2.35	70	50kHz
CMD6NP-222M□	222M	2.2mH ± 20%	1kHz	16.5	43	2.08	65	50kHz
CMD6NP-272M□	272M	2.7mH ± 20%	1kHz	18.5	50	1.9	60	50kHz
CMD6NP-332M□	332M	3.3mH ± 20%	1kHz	21	54	1.69	50	50kHz
CMD6NP-392M□	392M	3.9mH ± 20%	1kHz	32	44	1.51	45	50kHz
CMD6NP-472M□	472M	4.7mH ± 20%	1kHz	33	51	1.39	40	50kHz
CMD6NP-562M□	562M	5.6mH ± 20%	1kHz	38	53	1.31	40	50kHz
CMD6NP-682M□	682M	6.8mH ± 20%	1kHz	42	59	1.04	35	50kHz
CMD6NP-822M□	822M	8.2mH ± 20%	1kHz	46.5	62	0.97	35	50kHz
CMD6NP-103M□	103M	10mH ± 20%	1kHz	52.5	65	0.92	30	50kHz

※ Description of part name

CMD6NP-220M□
 B Box
 C Carrier Tape

※ Schematics (Bottom)

"S" is winding start



※1. Rated current: The D.C. current at which the inductance decreases to 90% of its initial value or when $\Delta t=40^{\circ}\text{C}$, whichever is lower($T_a=20^{\circ}\text{C}$).