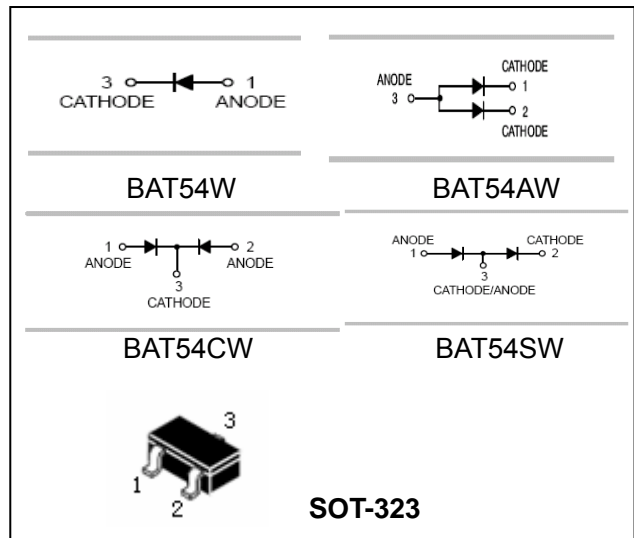


## Surface Mount Schottky Barrier Diode

## BAT54W/AW/CW/SW

### FEATURES

- Low forward voltage drop.
- Fast switching.
- Ultra-small surface mount package.
- PN Junction guard ring for transient and ESD protection.



### APPLICATIONS

- For general purpose switching applications.

### ORDERING INFORMATION

Type No.	Marking	Package Code
BAT54W	KL5	SOT-323
BAT54AW	KL6	SOT-323
BAT54CW	KL7	SOT-323
BAT54SW	KL8	SOT-323

### MAXIMUM RATING @ Ta=25°C unless otherwise specified

Parameter	Symbol	Limits	Unit
Repetitive Peak reverse voltage	$V_{RRM}$	30	V
Working peak reverse voltage	$V_{RWM}$		
DC reverse voltage	$V_R$		
Forward continuous Current	$I_F$	200	mA
Forward Surge Current @t<1.0s	$I_{FSM}$	600	mA
Power Dissipation	$P_d$	200	mW
Junction temperature	$T_j$	125	°C
Storage temperature range	$T_{stg}$	-65-+125	°C

### ELECTRICAL CHARACTERISTICS @ Ta=25°C unless otherwise specified

## Surface Mount Schottky Barrier Diode

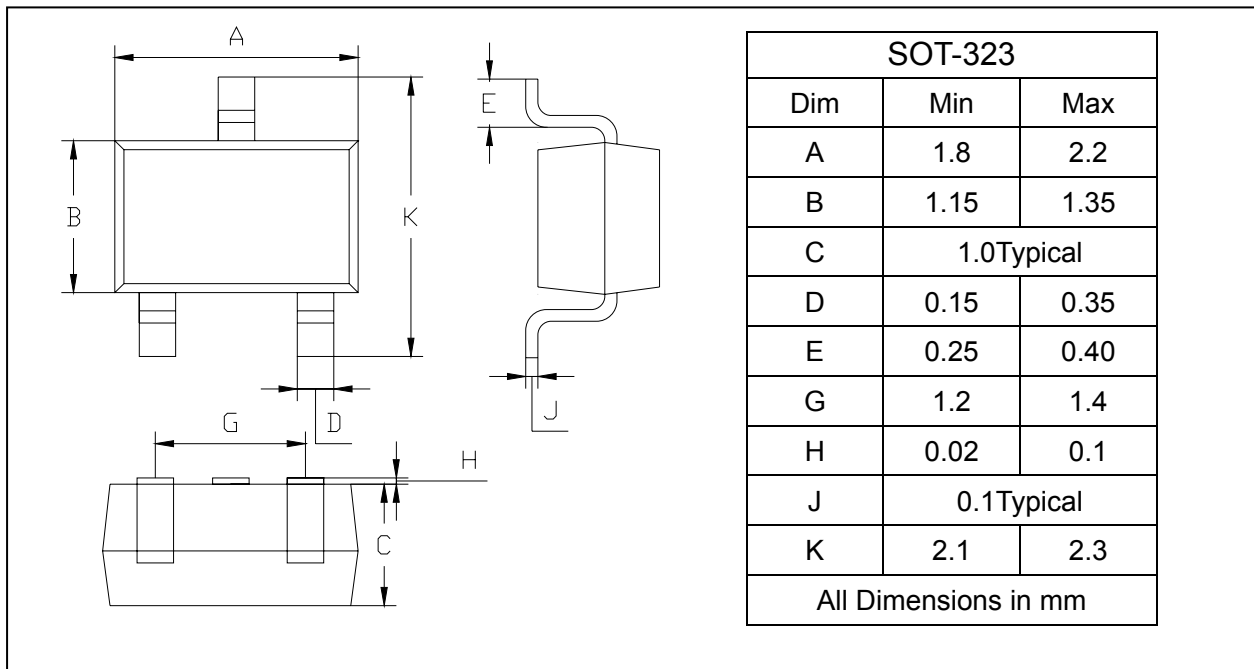
## BAT54W/AW/CW/SW

Parameter	Symbol	Test conditions	MIN	MAX	UNIT
Reverse breakdown voltage	$V_{(BR)R}$	$I_R=100\mu A$	30		V
Reverse voltage leakage current	$I_R$	$V_R=25V$		2.0	$\mu A$
Forward voltage	$V_F$	$I_F=0.1mA$ $I_F=1mA$ $I_F=10mA$ $I_F=30mA$ $I_F=100mA$		240 320 400 500 1000	mV
Diode capacitance	$C_D$	$V_R=1V$ $f=1MHz$		10	pF
Reverse recovery time	$t_{rr}$	$I_F=I_R=10mA$ $R_L=100\Omega$		5	ns

### PACKAGE OUTLINE

Plastic surface mounted package

SOT-323



### PACKAGE INFORMATION

Device	Package	Shipping
BAT54W/AW/CW/SW	SOT-323	3000/Tape&Reel