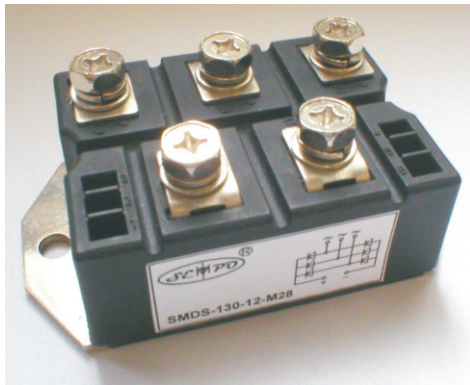


# SMDS-130

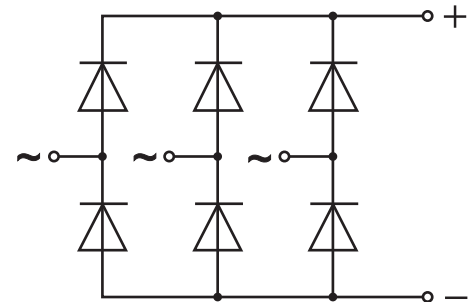
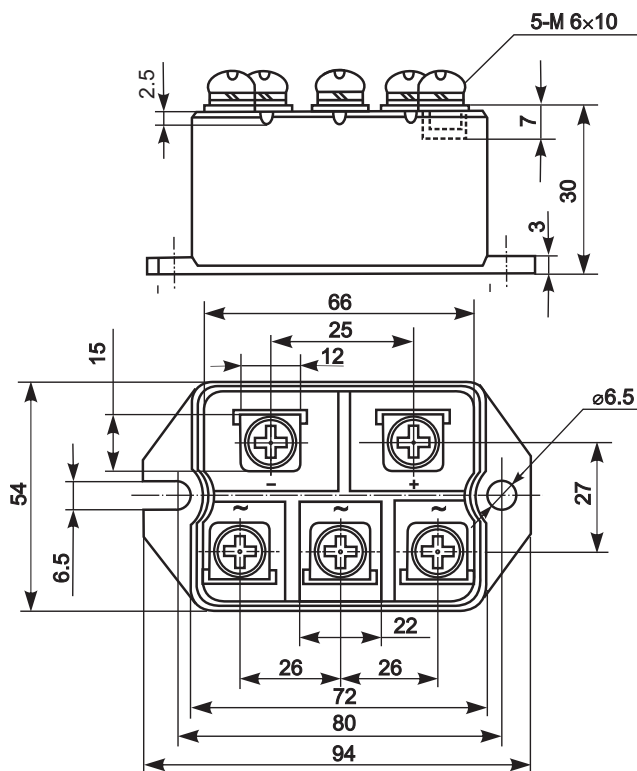


## Three Phase Rectifier Module



Type	$V_{RSM}$	$V_{RRM}$
SMDS-130-08	900	800
SMDS-130-12	1300	1200
SMDS-130-14	1500	1400
SMDS-130-16	1700	1600
SMDS-130-18	1900	1800

Type	$I_{DAV}$	$T_C$	$I_{FSM}$	$i^2t$	$V_F$	$I_F$	$V_{TO}$	$r_T$	$T_{VJ}$	$V_{isol}$	$R_{thJC}$
	A	$^{\circ}C$	KA	$KA^2s$	V	A	V	$m\Omega$	$^{\circ}C$	V	K/W
SMDS-130	130	100	1.2	7.2	1.9	300	0.8	4	150	3000	0.15



### Features:

- Industrial standard package
- Heat transfer through aluminium nitride ceramic isolated metal baseplate
- Precise internal pressure contacts for high reliability
- 3000V RMS isolation voltage

### Typical Applications:

- DC power supply for instrument and equipment
- Power converters
- Electronic welders
- Lighting control