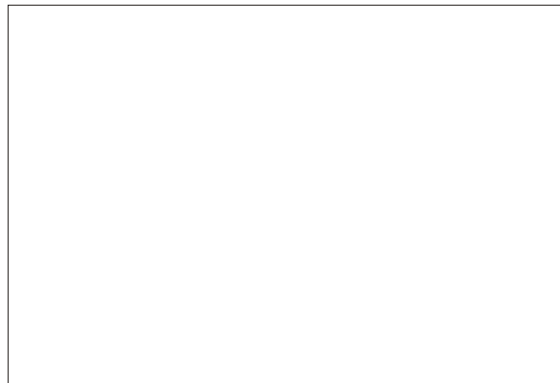


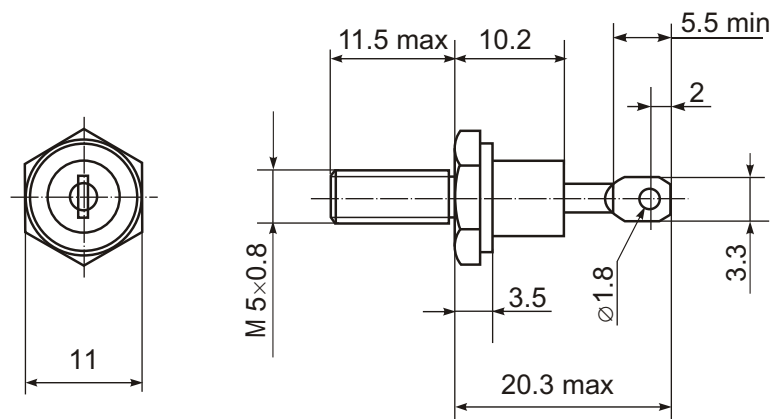
SMD-16



Rectifier Diode



Type	V_{RRM}	$I_{FAVM} (T_c, ^\circ C)$	I_{FRMS}	I_{FSM}	i^2t	V_{FM}	I_{FM}	V_{FO}	r_F	T_{VJM}	R_{thJC}
	V	A	A	A	kA ² s	V	A	V	m Ω	$^\circ C$	K/W
SMD-16	100-1200	16 (140)	25	350	0.61	1.23	78	0.90	6.8	150	1.3



SMD-16



SMD-16R



Features:

- Hermetic metal case with ceramic insulator
- Capacity of supporting high surge current
- International standard case

Typical Applications:

- AC/DC converters
- DC power supplies
- Machine tool controls