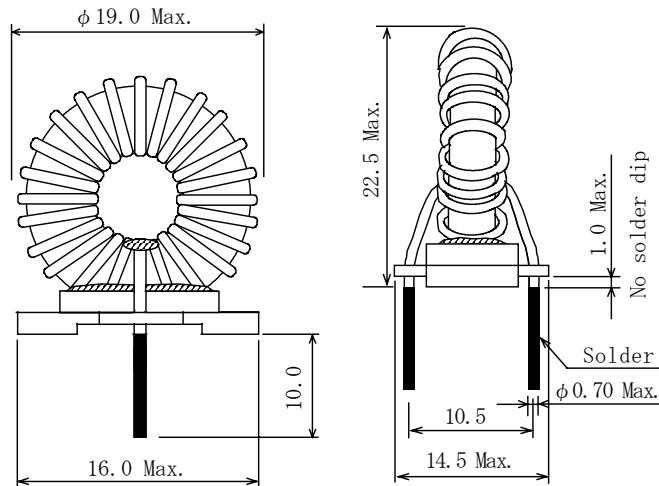


Type: PFN1318
◆ Product Description

- 19.0mm × 14.5mm Max.(L×W), 22.5mm Max. Height .
- In addition to the typical versions of parameters shown here, custom parameters are available to meet your exact requirements.


◆ Feature

- Iron dust core is used to realize better DC Saturation characteristics and higher noise absorption effect.
- Less leakage magnetic flux.
- Ideally used as normal mode chokes EMI suppression in power supplies or signal lines.
- Elimination for impulse noise.
- RoHS Compliance

◆ Dimensions (mm)


Adhesive

◆ Specification

Part Name.	Inductance (μ H) [MIN.] At 1kHz	D.C.R.(m Ω) [MAX.] (at20°C)	Impedance [MIN.]			Rated Current (A)※1
			①	②	③	
PFN1318NP-NM3ØA	21	41	770 Ω at 7MHz	1170 Ω at 10MHz	940 Ω at 20MHz	3.7
PFN1318NP-NM41A	39	57	740 Ω at 3MHz	1560 Ω at 5MHz	1340 Ω at 10MHz	3.1
PFN1318NP-NM51A	60	71	1400 Ω at 3MHz	2480 Ω at 4MHz	2680 Ω at 6MHz	2.6

※1. Rated current: The DC current at which the temperature rise is $\Delta t=40^{\circ}\text{C}$.($T_a=20^{\circ}\text{C}$).