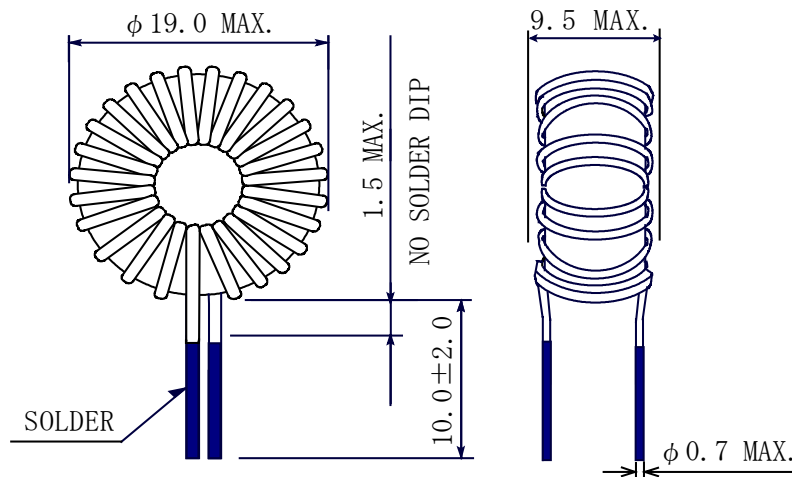


Type: PFN0818
◆ Product Description

- ϕ 19.0mm \times 9.5mm.MAX.
- Inductance range: 21 μ H \sim 60 μ H; Rated current range:2.6A \sim 3.7A
- In addition to the typical versions of parameters shown here, custom parameters are available to meet your exact requirements.


◆ Feature

- Using iron dust core,the DC Saturation characteristic is better noise absorption effect is high.
- Less leakage magnetic flux and core groan by using toroidal core.
- Ideally used as power factor correction chokes.
- RoHS Compliance

◆ Dimensions (mm)


* Dimension does not include solder used on coil.

◆ Specification

PART NO.	Inductance (μ H) [MIN.] At 1kHz	D.C.R.(m Ω) [MAX.] (at20°C)	Impedance [MIN.]			Rated Current (A) \times 1
			①	②	③	
PFN0818NP-NM30A	21	41	770 Ω at 7MHz	1170 Ω at 10MHz	940 Ω at 20MHz	3.7
PFN0818NP-NM41A	39	57	740 Ω at 3MHz	1560 Ω at 5MHz	1340 Ω at 10MHz	3.1
PFN0818NP-NM51A	60	71	1400 Ω at 3MHz	2480 Ω at 4MHz	2680 Ω at 6MHz	2.6

\times 1. Rated current: The DC current at which the temperature rise is $\Delta t=40^{\circ}\text{C}$.($T_a=20^{\circ}\text{C}$).