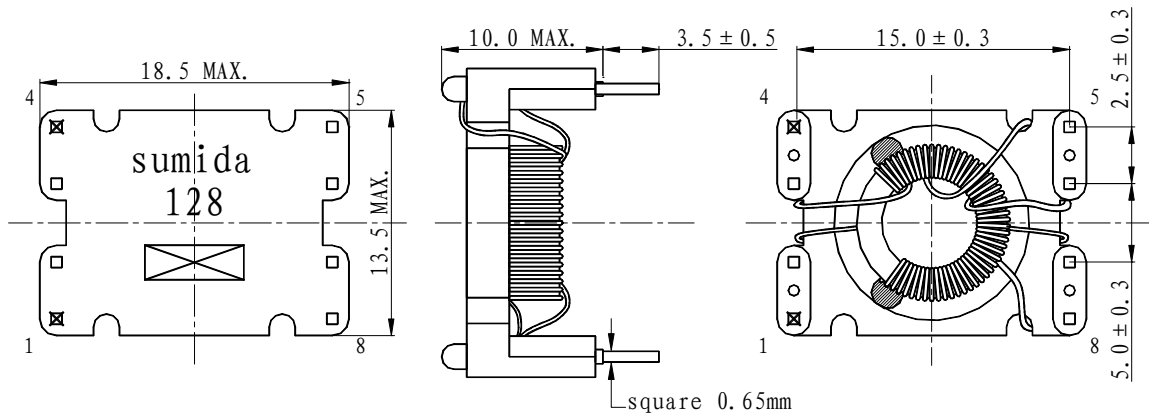
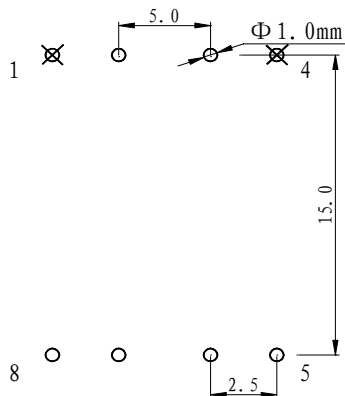
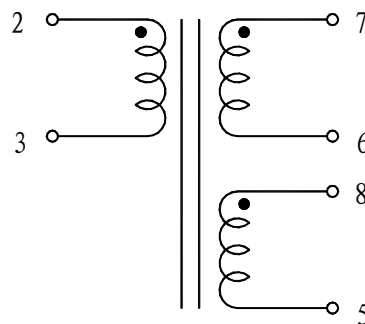


Type: GDT1310
◆ Product Description

- 18.5×13.5mm Max.(L×W), 10.0mm Max. Height
- Custom design is available.


◆ Feature

- Meets medical safety insulation requirement.
- Off-line AC/DC converter.
- High-powered DC/DC converter.
- Operating frequency: 50kHz and up
- RoHS Compliance

◆ Dimensions (mm)

◆ Land Pattern

◆ Schematics (Bottom)

◆ Specification

| Sample No. | Turns Ratio | Pri.-Sec. Insulation | Primary L 100kHz/0.1V | Leakage L 100kHz/0.1V | D.C.R. Pri. (mΩ Max.) | D.C.R. Sec. (mΩ Max.) | E-T (V*μS) |
|------------|-------------|----------------------|--------------------------|--------------------------|--------------------------|--------------------------|---------------|
| PS05-128 | 1:1:1 | 3000Vac/1min. | 850 μH ± 35% | 3.0 μH Max. | 264 | 252 | 63.36 |

※The ET value is based on ΔB 2400 Gauss.