

Type: FEM-85, FEM-85B

Product Description

- 9.0 × 5.5mm Max.(L × W), 9.5mm Max. Height.
- Inductance:0.05 ~ 0.13 μ H ,Operating frequency:200MHz
- In addition to the standard versions of parameters shown here, custom designs are available to meet your exact requirements.

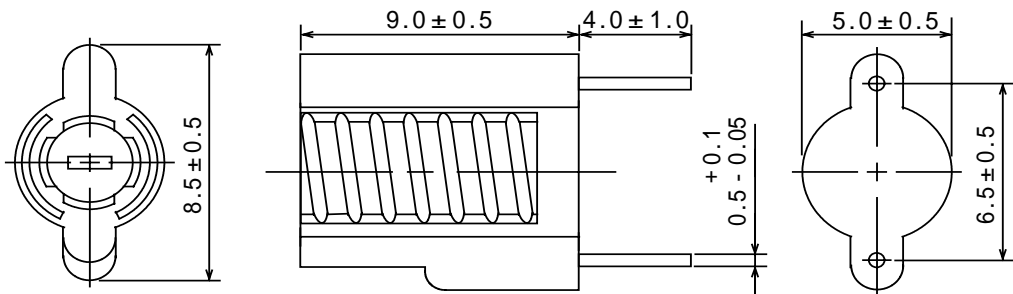
Feature

- Variable unshielded type.
- Ideally used in FM Radio ,TV. Transceiver
- RoHS Compliance

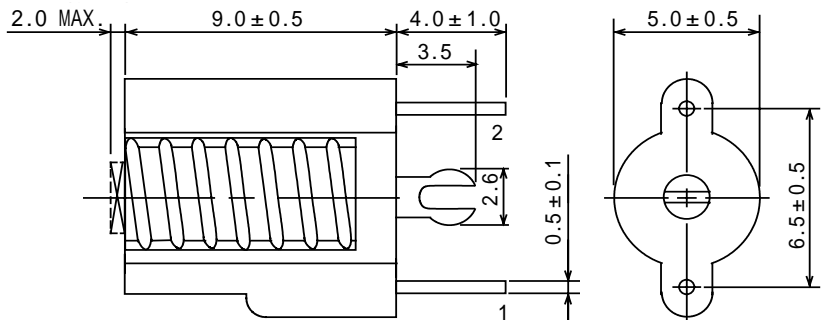
Dimensions (mm)



FEM-85

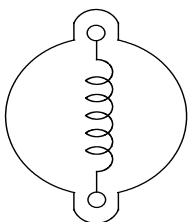


FEM-85B



- * Dimension does not include solder used on coil
- * Pin pitch should be measured at the root of terminal.

Connection (Bottom View)



Type: FEM-85, FEM-85B
Specification (FEM-85)

Part No.	Color	Turns	Tuning capacitance (Variable)	Unloaded Q(Min.)	Measuring frequency (MHz)
FEM85NP-1F	Natural	1½T	72.5pF ± 4%	70	100
FEM85NP-2F	Red	2½T	48.5pF ± 4%	85	100
FEM85NP-3F	Orange	3½T	34.5pF ± 4%	100	100
FEM85NP-4F	Yellow	4½T	25.0pF ± 4%	105	100
FEM85NP-5F 1	Green	5½T	20.0pF ± 4%	105	100
FEM85NP-1B 2	Natural	1½T	64.0pF ± 3%	55	120
FEM85NP-2B 2	Red	2½T	72.0pF ± 3%	50	100
FEM85NP-3B 2	Orange	3½T	54.0pF ± 3%	50	100
FEM85NP-4B 2	Yellow	4½T	45.5pF ± 3%	45	100
FEM85NP-5B 2	Green	5½T	39.0pF ± 3%	45	100

Adjustable core F: Ferrite core, B: Brass core.

* VHF Q-METER to be used when measuring.

1 Tuning capacitance to be measured allowing the core to have 0.5mm Max. fly out from the top of coil.

2 Tuning capacitance to be measured allowing the core to have 1.0mm Max. fly out from the top of coil.

Specification (FEM-85B)

Part No.	Color	Turns	Tuning capacitance (Variable)	Unloaded Q(Min.)	Measuring frequency (MHz)
FEM85B-1	Natural	1½T	85.3pF ± 4%	70	100
FEM85B-2	Red	2½T	40.6pF ± 4%	80	120
FEM85B-3	Orange	3½T	43.7pF ± 4%	90	100
FEM85B-4	Yellow	4½T	35.0pF ± 4%	85	100
FEM85B-5	Green	5½T	28.3pF ± 4%	100	100

* VHF Q-METER to be used when measuring.