

Type: EE4128/MS

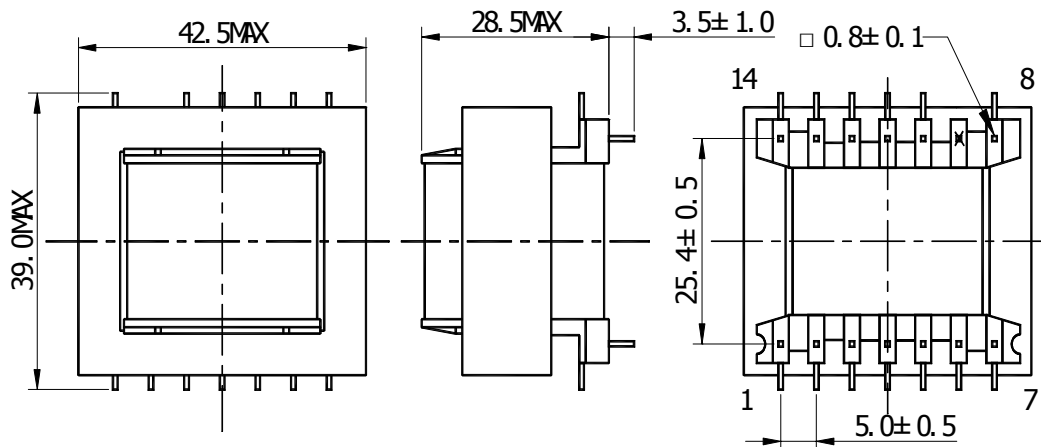
Product Description

- 42.5 × 39.0mm Max.(L × W), 28.5mm Max. Height.
- In addition to the typical versions of parameters shown here, custom designs are available to meet your exact requirements

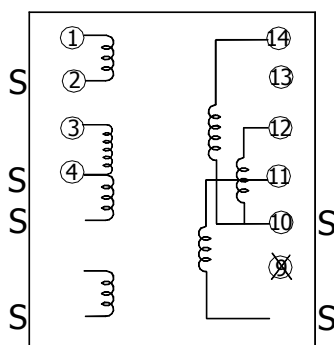
Feature

- Max. Operating frequency 500kHz. Max. Operating power 80.0W(500kHz)
- Ideally used in switching power supply etc.
- RoHS Compliance

Dimensions (mm)



Schematics (Bottom)



“ S ” is winding start

Specification

Sample No.	03YPD269
Inductance (4-3) 「20kHz/1V」	5.572mH ± .277mH Within
Inductance (10-14) 「20kHz/1V」	0.1mH ± 0.005mH Within
D.C.R. (4-3) at 20	1.13 ± 0.113 Within
D.C.R. (10-14) at 20	0.0594 ± 0.0089 Within
Hi-pot (50/60Hz/1mA) (Coil -Core) Between	AC 1000Vrms 1 Second
Hi-pot (50/60Hz/1mA) (10,14,12,8,11- 4,3,5,7,6,2,1) Between	AC 1400Vrms 1 Second