

**Type: EE1621/MS**

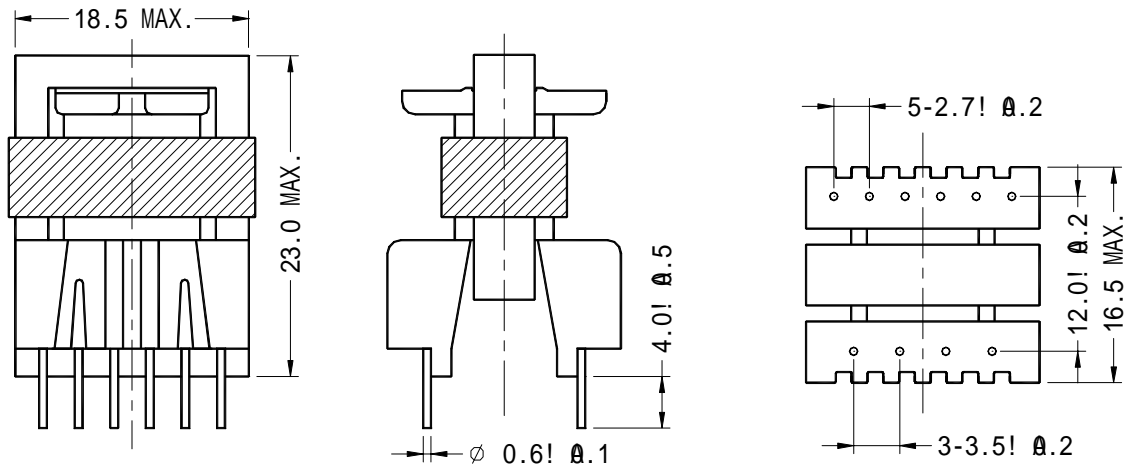
**Product Description**

- 23.0 × 16.5mm Max.(L × W), 23.0mm Max. Height.
- In addition to the typical versions of parameters shown here, custom designs are available to meet your exact requirements

**Feature**

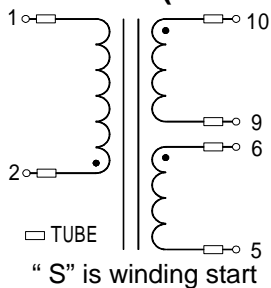
- Max. Operating frequency 300kHz.
- Ideally used in EL inverter, camera. Switching regulator.
- RoHS Compliance

**Dimensions (mm)**



"" INDICATES COPPER FOIL

**Schematics (Bottom)**



**Specification**

Sample No.	Inductance (2-1) 100kHz/1V	Inductance (2-1) 100kHz/1V	Hi-pot (1,2-5,6,9,10)/1.0mA
04MMS092B	1.8mH ± 7%	55.0µH Max.	AC 4000Vrms/3sec.