

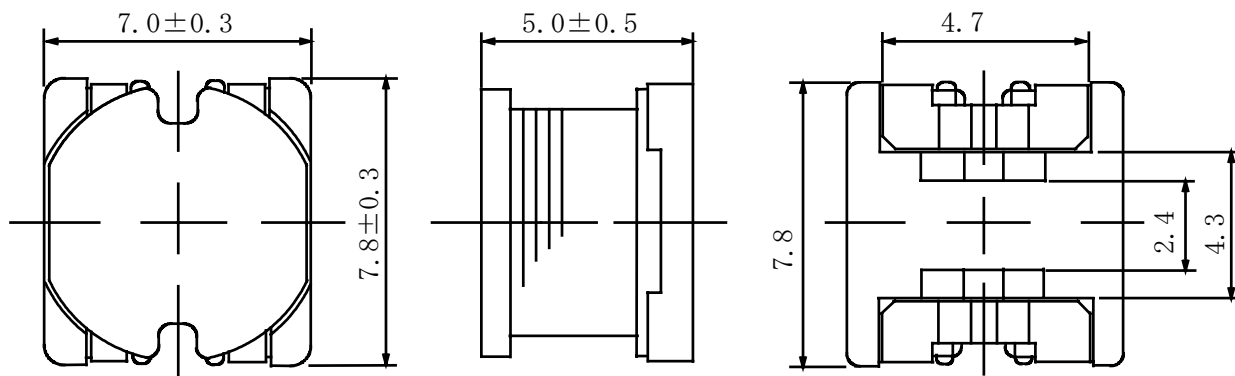
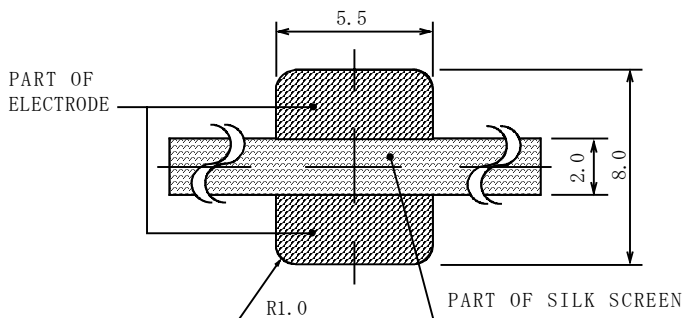
Type: CR75

◆ Product Description

- 8.1×7.3mm Max.(L×W), 5.5mm Max. Height.
- Inductance Range: 1.2~470 μ H
- Rated current range: 0.34~6.0A
- In addition to the standard versions of inductors shown here, custom inductors are available to meet your exact requirements.

◆ Feature

- Magnetically unshielded construction.
- Ideally used in A/V equipment, LCD TV,DSC/DVC, Game Machine, DVC, HDD, Notebook PC, etc as DC-DC Converter inductors.
- RoHS Compliance

◆ Dimensions (mm)

◆ Land Pattern (mm)


Please refer to the sales offices on our website for a representative near you

Type: CR75
◆ Specification

Part Name ※	Stamp	Inductance [Within] ※1	D.C.R. (mΩ) [MAX.] (at 20°C)	Rated Current (A)※2	S.R.F. (MHz) [TYP.]
CR75NP-1R2M□ CR75NP-1R5M□ CR75NP-2R2M□	1R2M 1R5M 2R2M	1.2 μH ± 20 % 1.5 μH ± 20 % 2.2 μH ± 20 %	15.6m 17.0m 19.5m	6.0 5.5 4.5	53.7 45.6 36.4
CR75NP-2R7M□ CR75NP-3R3M□ CR75NP-3R9M□	2R7M 3R3M 3R9M	2.7 μH ± 20 % 3.3 μH ± 20 % 3.9 μH ± 20 %	22.1m 24.7m 27.3m	4.2 3.7 3.5	31.1 26.8 24.6
CR75NP-4R7M□ CR75NP-5R6M□ CR75NP-6R8M□	4R7M 5R6M 6R8M	4.7 μH ± 20 % 5.6 μH ± 20 % 6.8 μH ± 20 %	30.0m 32.5m 36.4m	3.1 2.8 2.7	20.4 20.0 19.6
CR75NP-8R2M□	8R2M	8.2 μH ± 20 %	41.6m	2.5	18.0
CR75NP-100K□ CR75NP-120K□ CR75NP-150K□	100K 120K 150K	10 μH ± 10 % 12 μH ± 10 % 15 μH ± 10 %	0.07 0.08 0.09	2.3 2.0 1.8	28 23 22
CR75NP-180K□ CR75NP-220K□ CR75NP-270K□	180K 220K 270K	18 μH ± 10 % 22 μH ± 10 % 27 μH ± 10 %	0.10 0.11 0.12	1.6 1.5 1.3	20 17 15
CR75NP-330K□ CR75NP-390K□ CR75NP-470K□	330K 390K 470K	33 μH ± 10 % 39 μH ± 10 % 47 μH ± 10 %	0.13 0.16 0.18	1.2 1.1 1.1	15 14 13
CR75NP-560K□ CR75NP-680K□ CR75NP-820K□	560K 680K 820K	56 μH ± 10 % 68 μH ± 10 % 82 μH ± 10 %	0.24 0.28 0.37	0.94 0.85 0.78	11 11 10
CR75NP-101K□ CR75NP-121K□ CR75NP-151K□	101K 121K 151K	100 μH ± 10 % 120 μH ± 10 % 150 μH ± 10 %	0.43 0.47 0.64	0.72 0.66 0.58	9.2 7.7 6.1
CR75NP-181K□ CR75NP-221K□ CR75NP-271K□	181K 221K 271K	180 μH ± 10 % 220 μH ± 10 % 270 μH ± 10 %	0.71 0.96 1.11	0.51 0.49 0.42	5.8 5.2 4.8
CR75NP-331K□ CR75NP-391K□ CR75NP-471K□	331K 391K 471K	330 μH ± 10 % 390 μH ± 10 % 470 μH ± 10 %	1.26 1.77 1.96	0.40 0.36 0.34	4.3 4.3 3.8

※ Description of part name

CR75NP-1R2M□
└─ B Box
└─ C Carrier Tape

※1: Measuring frequency 1.2 μH ~ 8.2 μH ; at 7.96 MHz
 10 μH ~ 82 μH ; at 2.52 MHz
 100 μH ~ 470 μH ; at 1 kHz

※2. Rated current: The D.C. current at which the inductance decreases to 90% of it's initial value or when Δt=40°C, whichever is lower(Ta=20°C).