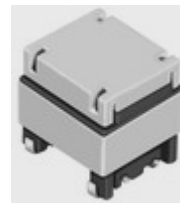
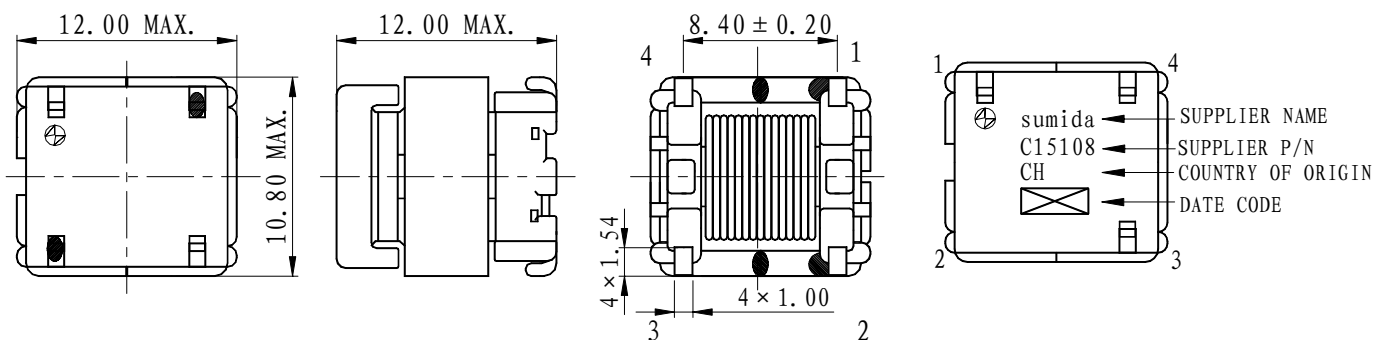
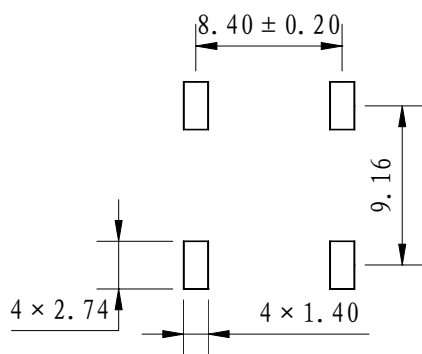
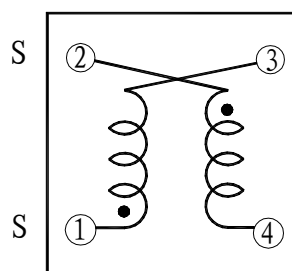


Type: CEEH1011
◆ Product Description

- 12.0×10.8mm Max.(L×W),12.0mm Max. Height.


◆ Feature

- Small foot print for Central Office applications.
- For use with Legerity's Integrated Voice and Data(IVD) solution.
- Customized inductance values are available.
- RoHS Compliance.

◆ Dimensions (mm)

◆ Land Pattern (mm)

◆ Schematics(Bottom)


"S" is the winding start.

◆ Specification

Part Name	Inductance (mH)				LL 100kHz, 0.1Vac	THD 50kHz, 12.3Vrms	LB 200Hz-3200 Hz	D.C.R.(Ω) Pri/Sec
	20kHz 0.1Vac,0Aac	20kHz 0.1Vac,0.12Aac	20kHz 0.1Vac,0.23Aac	20kHz 0.1Vac,0.46Aac				
C15108	3.42~4.18	3.4 MIN.	----	1.0 MIN.	11.0μH MAX.	-85dB MAX.	65dB MIN.	18.5/18.5
C15100	8.74~10.34	8.46 MIN.	4.0 MIN.	----	25.0μH MAX.	-85dB MAX.	65dB MIN.	26.0/26.0
C15128	28.0±10%	22.0 MIN.	7.3 MIN.	----	25.0μH MAX.	-85dB MAX.	65dB MIN.	26.0/26.0