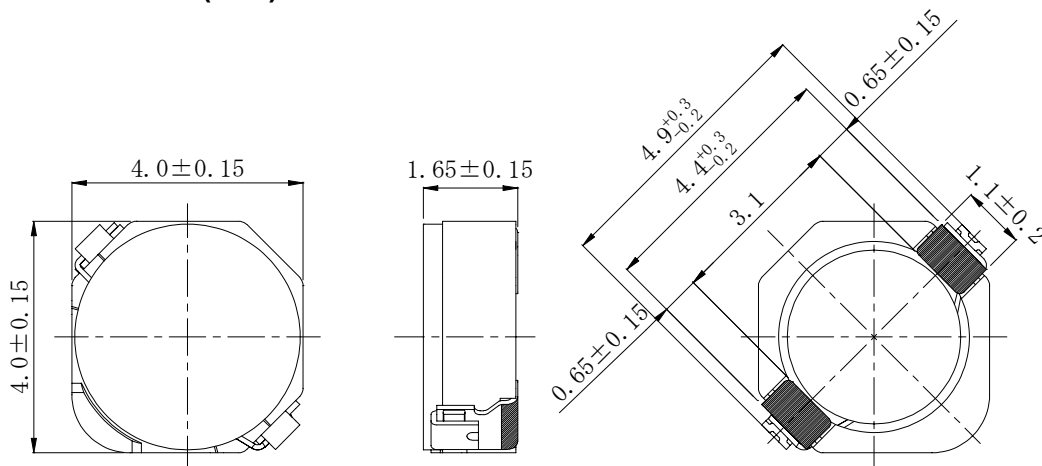
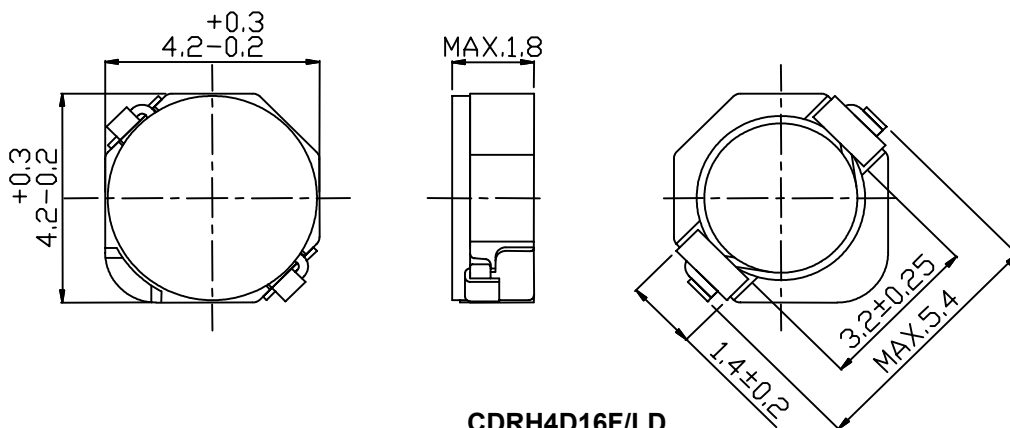


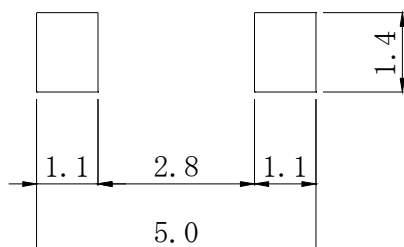
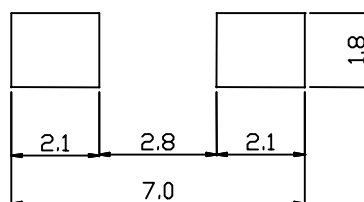
**Type: CDRH4D16FB, CDRH4D16F/LD**
**◆ Product Description**

- 4.15×4.15mm Max.(L×W), 1.8mm Max. Height. (CDRH4D16FB)
- 4.5×4.5mm Max.(L×W), 1.8mm Max. Height. (CDRH4D16F/LD)
- Inductance range: 1.3~22 μ H(CDRH4D16FB); 2.0~33uH(CDRH4D16F/LD).
- Rated current range: 0.52~2.3A(CDRH4D16FB); 0.22~0.9A(CDRH4D16F/LD).
- In addition to the standards versions shown here, custom inductors are also available to meet your exact requirements.


**◆ Feature**

- Magnetically shielded construction.
- Ideally used in Mobile phone, PDA, MP3, HDD, DSC/DVC, etc as DC-DC Converter inductors.
- RoHS Compliance.

**◆ Dimensions (mm)**

**CDRH4D16FB** ELECTRODE

**CDRH4D16F/LD**

**Type: CDRH4D16FB, CDRH4D16F/LD**
**◆ Land Pattern (mm)**

**CDRH4D16FB**

**CDRH4D16F/LD**
**◆ Specification(CDRH4D16FB)**

Part Name ※	Stamp	Inductance [Within] 100kHz/1V	D.C.R. (mΩ) Max.(Typ.) (at 20°C)	Saturation current (A)※1		Temperature rise current (A)※2
				(at20°C)	(at100°C)	
CDRH4D16FB/NP-1R3N□	A	1.3 μ H±25%	29.3(22.5)	2.30	1.50	2.8
CDRH4D16FB/NP-1R8N□	B	1.8 μ H±25%	34.5(27.6)	1.90	1.30	2.7
CDRH4D16FB/NP-2R4N□	C	2.4 μ H±25%	37.9(30.3)	1.70	1.20	2.6
CDRH4D16FB/NP-3R0N□	D	3.0 μ H±25%	39.6(31.7)	1.50	1.10	2.4
CDRH4D16FB/NP-3R9N□	E	3.9 μ H±25%	56.7(43.6)	1.35	1.00	2.1
CDRH4D16FB/NP-4R7N□	F	4.7 μ H±25%	58.5(46.8)	1.20	0.90	2.0
CDRH4D16FB/NP-6R8N□	G	6.8 μ H±25%	81.25(65.0)	1.00	0.75	1.5
CDRH4D16FB/NP-8R5N□	H	8.5 μ H±25%	107.0(89.1)	0.90	0.65	1.3
CDRH4D16FB/NP-10ØM□	J	10 μ H±20%	118.0(98.0)	0.80	0.60	1.2
CDRH4D16FB/NP-15ØM□	K	15 μ H±20%	178.8(149.0)	0.65	0.50	1.0
CDRH4D16FB/NP-22ØM□	L	22 μ H±20%	288.0(240.0)	0.52	0.40	0.75

**Type: CDRH4D16FB,CDRH4D16F/LD**
**◆ Specification(CDRH4D16F/LD)**

Part Name ※	Stamp	Inductance [Within] 100kHz/1V	D.C.R.(mΩ) Max.(Typ.) (at 20°C)	Saturation current (mA) ※ 1	Temperature rise current (A)※2
CDRH4D16F/LDNP-2R0N□	A	2.0 μ H ±25%	25.2(21.0)	900	3.4
CDRH4D16F/LDNP-2R6N□	B	2.6 μ H ±25%	28.9(24.1)	800	3.2
CDRH4D16F/LDNP-4R7N□	C	4.7 μ H ±25%	42.4(35.3)	600	2.5
CDRH4D16F/LDNP-6R8N□	D	6.8 μ H ±25%	51.2(42.7)	500	2.4
CDRH4D16F/LDNP-100N□	E	10 μ H ±25%	68.2(56.8)	400	2.0
CDRH4D16F/LDNP-150N□	F	15 μ H ±25%	108.7(90.6)	350	1.4
CDRH4D16F/LDNP-220N□	G	22 μ H ±25%	169.2(141.0)	300	1.0
CDRH4D16F/LDNP-330N□	H	33 μ H ±25%	234.0(195.0)	220	0.85

**※ Description of part name**

CDRH4D16F/LDNP-2R0N□

- B Box
- C Carrier Tape

※1.Saturation Current: The DC current at which the inductance decreases to 65% of it's nominal value .(Ta=20°C)

※2 Temperature rise current:The DC current at which the temperature rise is Δt=40°C.  
(Ta=20°C)