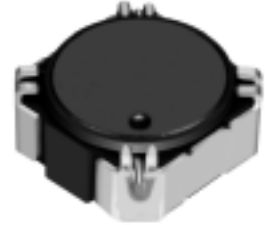
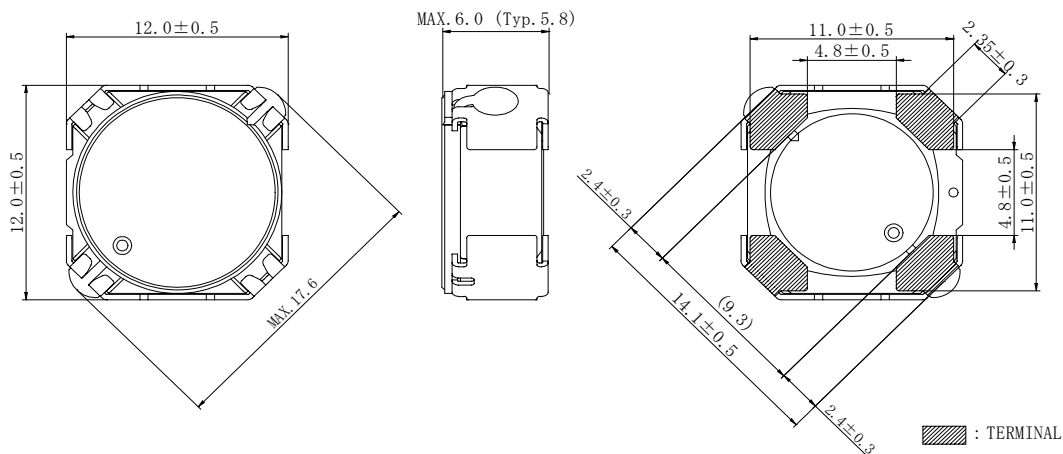
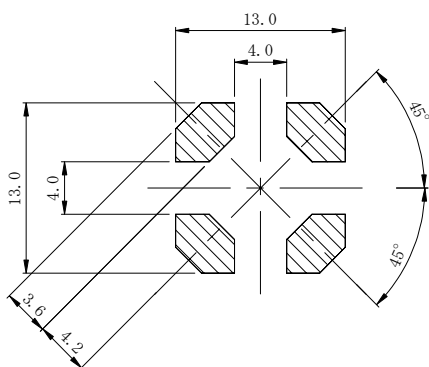
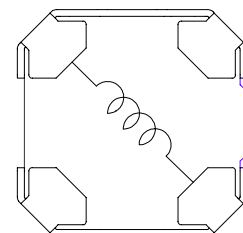


Type: CDCH12D58/A
◆ Product Description

- 12.5×12.5mm Max.(L×W), 6.0mm Max. Height.
- Inductance range: 10~390 μ H
- Rated current range:0.45~3.3A(125°C)
- In addition to the standard versions of inductors shown here, custom inductors are available to meet your exact requirements.


◆ Feature

- Magnetically unshielded construction.
- High reliable inductors, suitable to use in high temperature environment(125°C)
- Ideally for automotive applications as converter inductors.
- RoHS Compliance

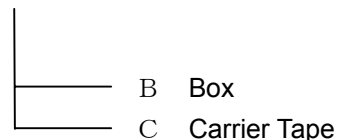
◆ Dimensions (mm)

◆ Land Pattern (mm)

◆ Schematics(Bottom)


Type: CDCH12D58/A
◆ Specification

Part Name ※	Stamp	Inductance [Within] 100kHz/1V	D.C.R.(mΩ) Max.(Typ.) (at 20°C)	Rated current (A)(at 125°C) ※1
CDCH12D58/ANP-100K□	100K	10 μ H±10%	28(22)	3.3
CDCH12D58/ANP-120K□	120K	12 μ H±10%	32(26)	3.0
CDCH12D58/ANP-150K□	150K	15 μ H±10%	37(29)	2.8
CDCH12D58/ANP-180K□	180K	18 μ H±10%	50(40)	2.4
CDCH12D58/ANP-220K□	220K	22 μ H±10%	65(52)	2.0
CDCH12D58/ANP-270K□	270K	27 μ H±10%	72(58)	1.9
CDCH12D58/ANP-330K□	330K	33 μ H±10%	84(67)	1.8
CDCH12D58/ANP-390K□	390K	39 μ H±10%	96(76)	1.6
CDCH12D58/ANP-470K□	470K	47 μ H±10%	118(95)	1.5
CDCH12D58/ANP-560K□	560K	56 μ H±10%	141(113)	1.4
CDCH12D58/ANP-680K□	680K	68 μ H±10%	163(131)	1.3
CDCH12D58/ANP-820K□	820K	82 μ H±10%	210(168)	1.1
CDCH12D58/ANP-101K□	101K	100 μ H±10%	242(193)	1.0
CDCH12D58/ANP-121K□	121K	120 μ H±10%	276(220)	0.95
CDCH12D58/ANP-151K□	151K	150 μ H±10%	390(312)	0.81
CDCH12D58/ANP-181K□	181K	180 μ H±10%	480(384)	0.71
CDCH12D58/ANP-221K□	221K	220 μ H±10%	561(449)	0.66
CDCH12D58/ANP-271K□	271K	270 μ H±10%	812(650)	0.55
CDCH12D58/ANP-331K□	331K	330 μ H±10%	903(723)	0.51
CDCH12D58/ANP-391K□	391K	390 μ H±10%	1111(889)	0.45

※ Description of part name

C D C H 1 2 D 5 8 / A N P - 1 0 0 K □



※1. Rated current: The DC current at which the inductance decreases to 90 % of it's initial value or when $\Delta t=30^{\circ}\text{C}$, whichever is lower ($T_a=125^{\circ}\text{C}$).