

MOS FIELD EFFECT TRANSISTOR

NP84N055EHE, NP84N055KHE
NP84N055CHE, NP84N055DHE, NP84N055MHE, NP84N055NHE

SWITCHING N-CHANNEL POWER MOS FET

DESCRIPTION

These products are N-channel MOS Field Effect Transistors designed for high current switching applications.

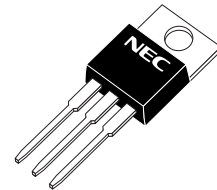
<R> ORDERING INFORMATION

| PART NUMBER | LEAD PLATING | PACKING | PACKAGE |
|--|---------------|-----------------|-----------------------------------|
| NP84N055EHE-E1-AY ^{Note1, 2} | Pure Sn (Tin) | Tape 800 p/reel | TO-263 (MP-25ZJ) typ. 1.4 g |
| NP84N055EHE-E2-AY ^{Note1, 2} | | | |
| NP84N055KHE-E1-AY ^{Note1} | | | TO-263 (MP-25ZK) typ. 1.5 g |
| NP84N055KHE-E2-AY ^{Note1} | | | |
| NP84N055CHE-S12-AZ ^{Note1, 2} | Sn-Ag-Cu | Tube 50 p/tube | TO-220 (MP-25) typ. 1.9 g |
| NP84N055DHE-S12-AY ^{Note1, 2} | Pure Sn (Tin) | | TO-262 (MP-25 Fin Cut) typ. 1.8 g |
| NP84N055MHE-S18-AY ^{Note1} | | | TO-220 (MP-25K) typ. 1.9 g |
| NP84N055NHE-S18-AY ^{Note1} | | | TO-262 (MP-25SK) typ. 1.8 g |

Notes 1. Pb-free (This product does not contain Pb in the external electrode.)

2. Not for new design

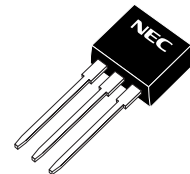
(TO-220)



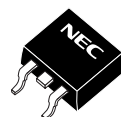
FEATURES

- Channel temperature 175 degree rated
- Super low on-state resistance
 $R_{DS(on)} = 7.3 \text{ m}\Omega \text{ MAX. (} V_{GS} = 10 \text{ V, } I_D = 42 \text{ A)}$
- Low input capacitance
 $C_{iss} = 4540 \text{ pF TYP.}$
- Built-in gate protection diode

(TO-262)



(TO-263)



The information in this document is subject to change without notice. Before using this document, please confirm that this is the latest version.
Not all products and/or types are available in every country. Please check with an NEC Electronics sales representative for availability and additional information.

ABSOLUTE MAXIMUM RATINGS (T_A = 25°C)

| | | | |
|---|-----------------------|-------------|----|
| Drain to Source Voltage (V _{GS} = 0 V) | V _{DSS} | 55 | V |
| Gate to Source Voltage (V _{DS} = 0 V) | V _{GSS} | ±20 | V |
| Drain Current (DC) (T _C = 25°C) ^{Note1} | I _{D(DC)} | ±84 | A |
| Drain Current (pulse) ^{Note2} | I _{D(pulse)} | ±336 | A |
| Total Power Dissipation (T _A = 25°C) | P _T | 1.8 | W |
| Total Power Dissipation (T _C = 25°C) | P _T | 200 | W |
| Channel Temperature | T _{ch} | 175 | °C |
| Storage Temperature | T _{stg} | -55 to +175 | °C |
| Single Avalanche Current ^{Note3} | I _{AS} | 84/56/21 | A |
| Single Avalanche Energy ^{Note3} | E _{AS} | 70/313/441 | mJ |

Notes 1. Calculated constant current according to MAX. allowable channel temperature.

2. PW ≤ 10 μs, Duty cycle ≤ 1%

3. Starting T_{ch} = 25°C, V_{DD} = 28 V, R_G = 25 Ω, V_{GS} = 20 → 0 V (See **Figure 4.**)

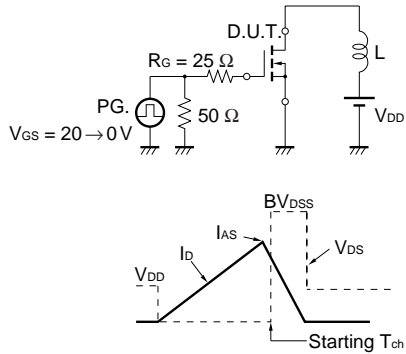
THERMAL RESISTANCE

| | | | |
|---------------------------------------|-----------------------|------|------|
| Channel to Case Thermal Resistance | R _{th(ch-C)} | 0.75 | °C/W |
| Channel to Ambient Thermal Resistance | R _{th(ch-A)} | 83.3 | °C/W |

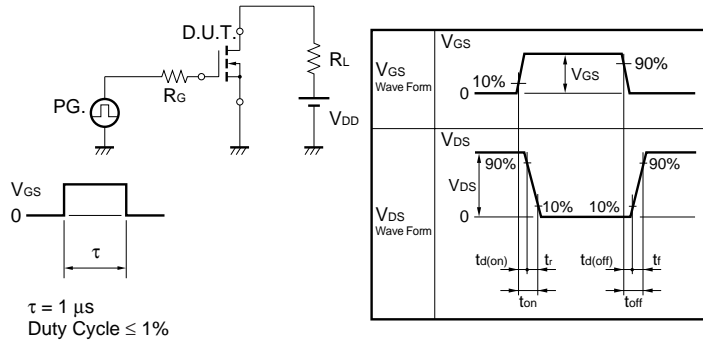
ELECTRICAL CHARACTERISTICS (TA = 25°C)

| CHARACTERISTICS | SYMBOL | TEST CONDITIONS | MIN. | TYP. | MAX. | UNIT |
|-------------------------------------|--------------|------------------------------------|------|------|----------|------------|
| Zero Gate Voltage Drain Current | I_{DSS} | $V_{DS} = 55 V, V_{GS} = 0 V$ | | | 10 | μA |
| Gate Leakage Current | I_{GSS} | $V_{GS} = \pm 20 V, V_{DS} = 0 V$ | | | ± 10 | μA |
| Gate to Source Threshold Voltage | $V_{GS(th)}$ | $V_{DS} = V_{GS}, I_D = 250 \mu A$ | 2.0 | 3 | 4.0 | V |
| Forward Transfer Admittance | $ y_{fs} $ | $V_{DS} = 10 V, I_D = 42 A$ | 20 | 44 | | S |
| Drain to Source On-state Resistance | $R_{DS(on)}$ | $V_{GS} = 10 V, I_D = 42 A$ | | 5.8 | 7.3 | m Ω |
| Input Capacitance | C_{iss} | $V_{DS} = 25 V,$ | | 4540 | 6810 | pF |
| Output Capacitance | C_{oss} | $V_{GS} = 0 V,$ | | 710 | 1070 | pF |
| Reverse Transfer Capacitance | C_{rss} | $f = 1 MHz$ | | 340 | 620 | pF |
| Turn-on Delay Time | $t_{d(on)}$ | $V_{DD} = 28 V, I_D = 42 A,$ | | 37 | 81 | ns |
| Rise Time | t_r | $V_{GS} = 10 V,$ | | 22 | 54 | ns |
| Turn-off Delay Time | $t_{d(off)}$ | $R_G = 1 \Omega$ | | 76 | 150 | ns |
| Fall Time | t_f | | | 22 | 56 | ns |
| Total Gate Charge | Q_G | $V_{DD} = 44 V,$ | | 88 | 130 | nC |
| Gate to Source Charge | Q_{GS} | $V_{GS} = 10 V,$ | | 22 | | nC |
| Gate to Drain Charge | Q_{GD} | $I_D = 84 A$ | | 31 | | nC |
| Body Diode Forward Voltage | $V_{F(S-D)}$ | $I_F = 84 A, V_{GS} = 0 V$ | | 1.0 | | V |
| Reverse Recovery Time | t_{rr} | $I_F = 84 A, V_{GS} = 0 V,$ | | 49 | | ns |
| Reverse Recovery Charge | Q_{rr} | $di/dt = 100 A/\mu s$ | | 78 | | nC |

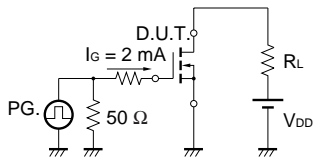
TEST CIRCUIT 1 AVALANCHE CAPABILITY



TEST CIRCUIT 2 SWITCHING TIME



TEST CIRCUIT 3 GATE CHARGE



TYPICAL CHARACTERISTICS (T_A = 25°C)

Figure1. DERATING FACTOR OF FORWARD BIAS SAFE OPERATING AREA

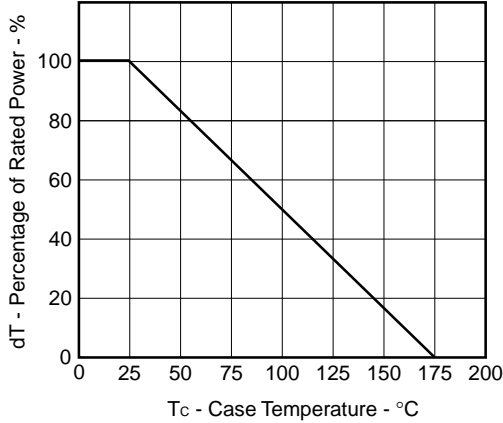


Figure2. TOTAL POWER DISSIPATION vs. CASE TEMPERATURE

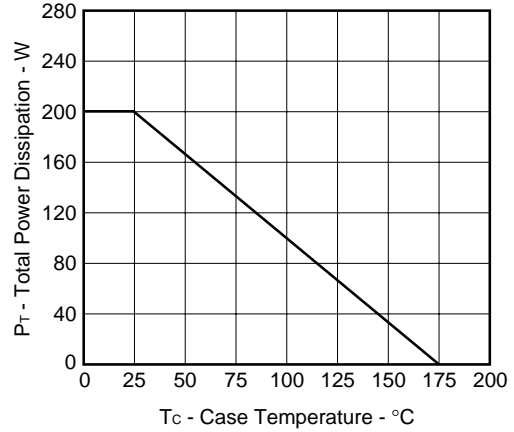


Figure3. FORWARD BIAS SAFE OPERATING AREA

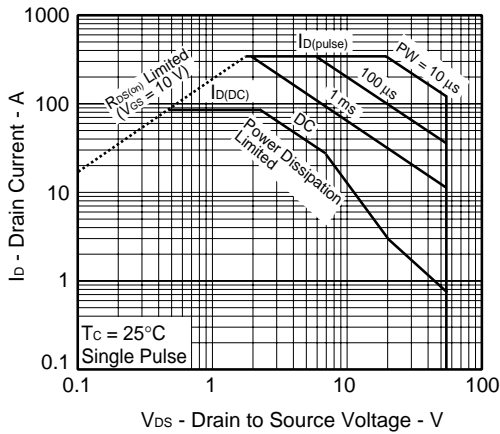


Figure4. SINGLE AVALANCHE ENERGY DERATING FACTOR

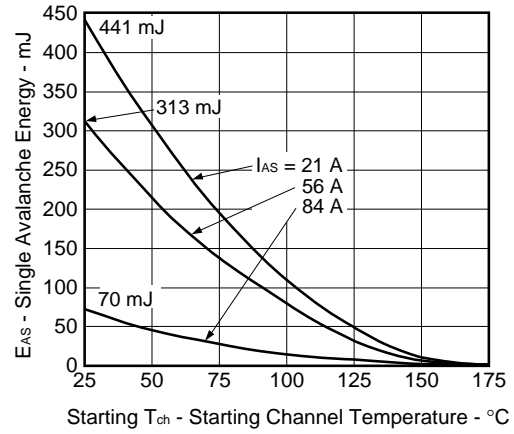


Figure5. TRANSIENT THERMAL RESISTANCE vs. PULSE WIDTH

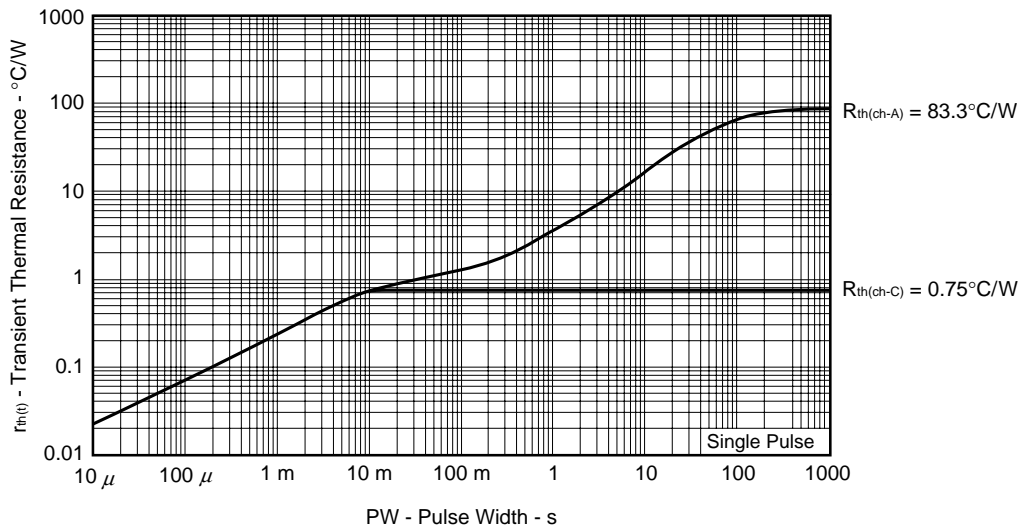


Figure6. FORWARD TRANSFER CHARACTERISTICS

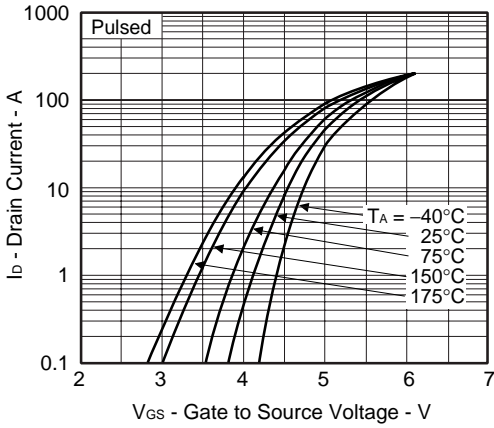


Figure7. DRAIN CURRENT vs. DRAIN TO SOURCE VOLTAGE

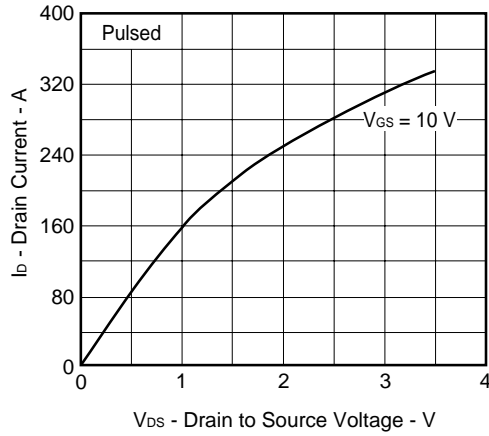


Figure8. FORWARD TRANSFER ADMITTANCE vs. DRAIN CURRENT

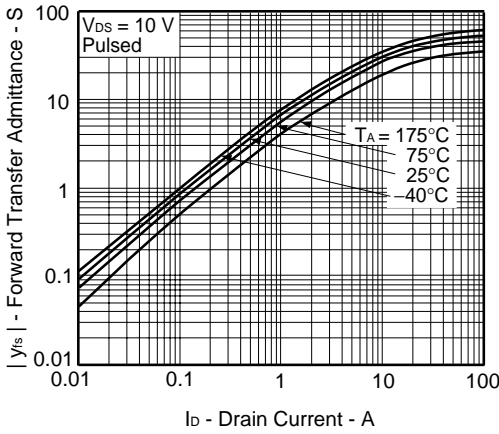


Figure9. DRAIN TO SOURCE ON-STATE RESISTANCE vs. GATE TO SOURCE VOLTAGE

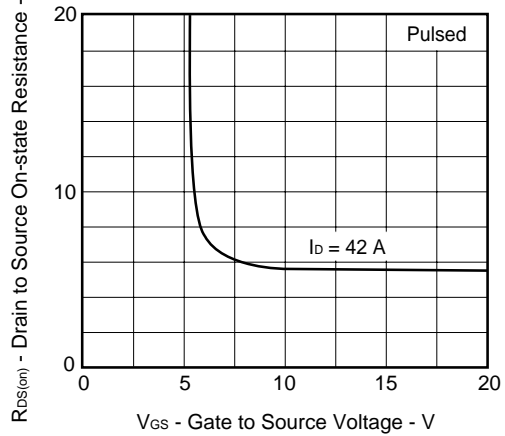


Figure10. DRAIN TO SOURCE ON-STATE RESISTANCE vs. DRAIN CURRENT

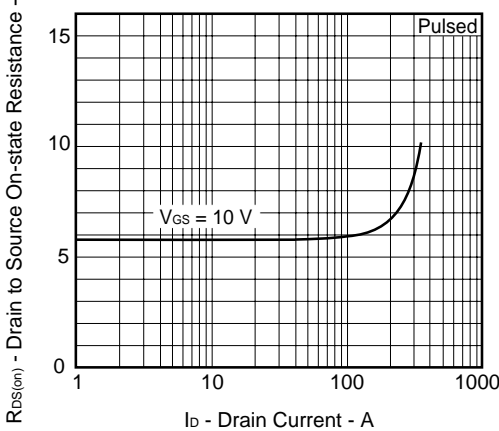


Figure11. GATE TO SOURCE THRESHOLD VOLTAGE vs. CHANNEL TEMPERATURE

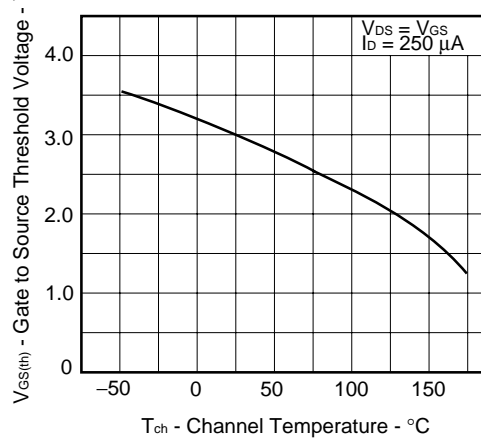


Figure12. DRAIN TO SOURCE ON-STATE RESISTANCE vs. CHANNEL TEMPERATURE

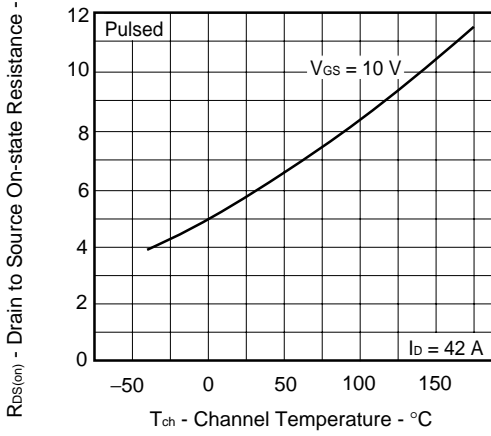


Figure13. SOURCE TO DRAIN DIODE FORWARD VOLTAGE

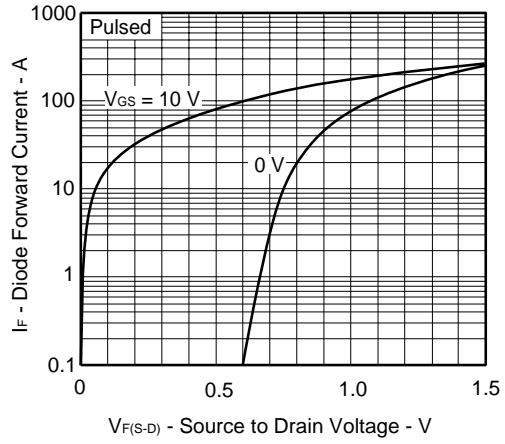


Figure14. CAPACITANCE vs. DRAIN TO SOURCE VOLTAGE

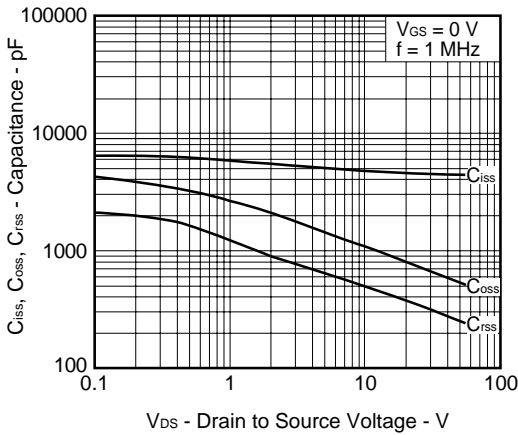


Figure15. SWITCHING CHARACTERISTICS

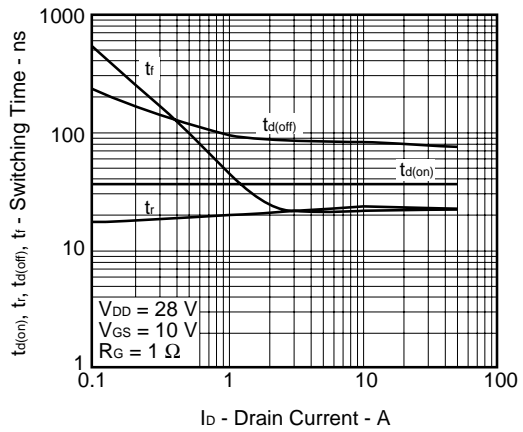


Figure16. REVERSE RECOVERY TIME vs. DIODE FORWARD CURRENT

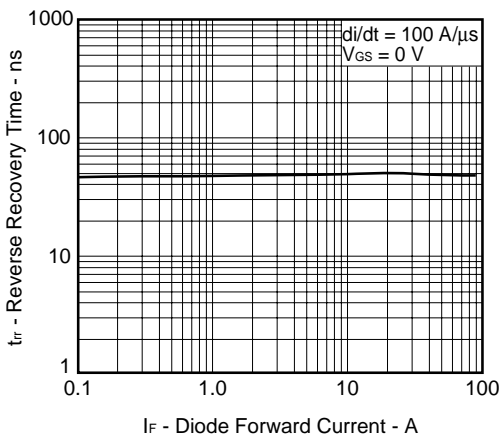
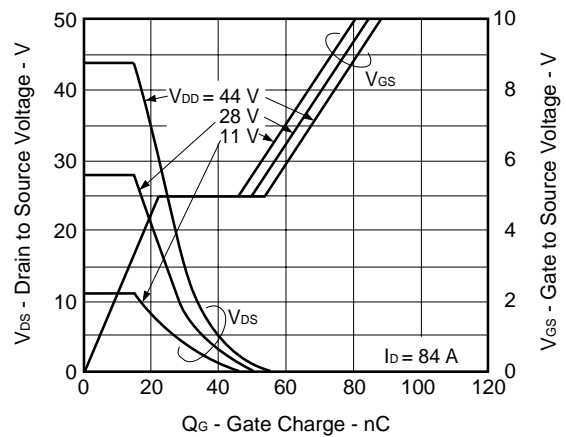
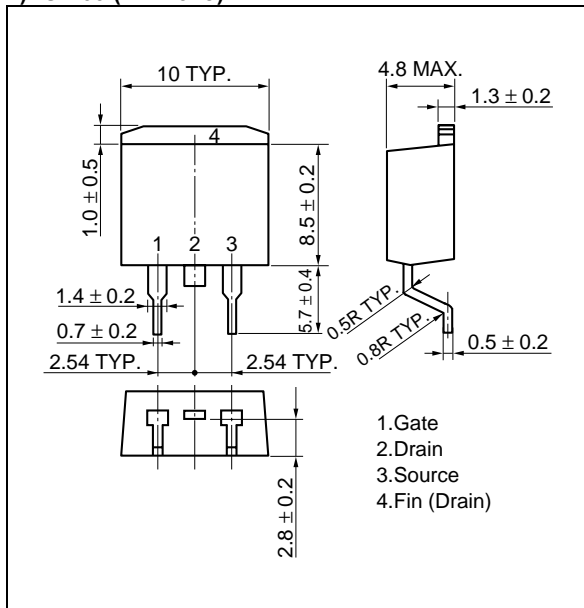


Figure17. DYNAMIC INPUT/OUTPUT CHARACTERISTICS

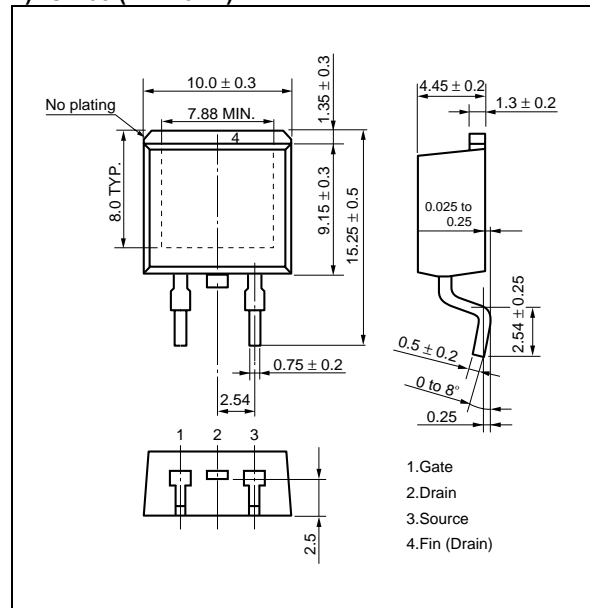


<R> PACKAGE DRAWINGS (Unit: mm)

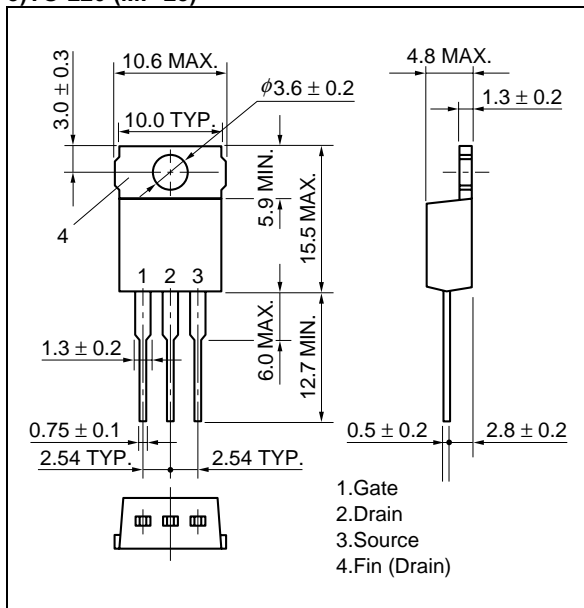
1) TO-263 (MP-25ZJ) ^{Note}



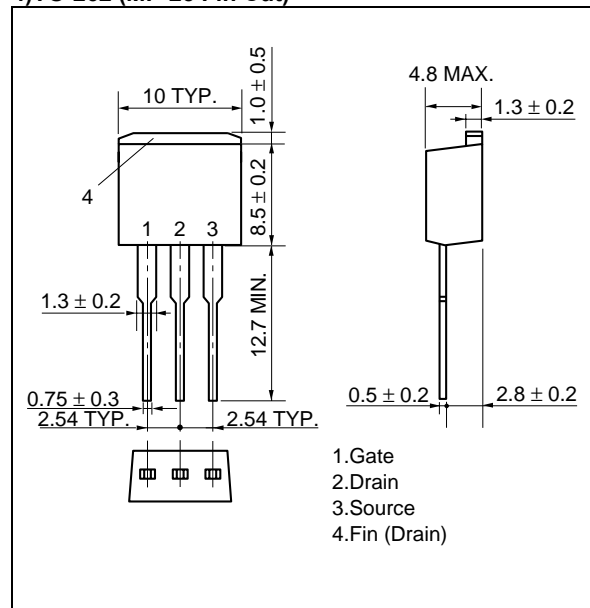
2) TO-263 (MP-25ZK)



3) TO-220 (MP-25) ^{Note}

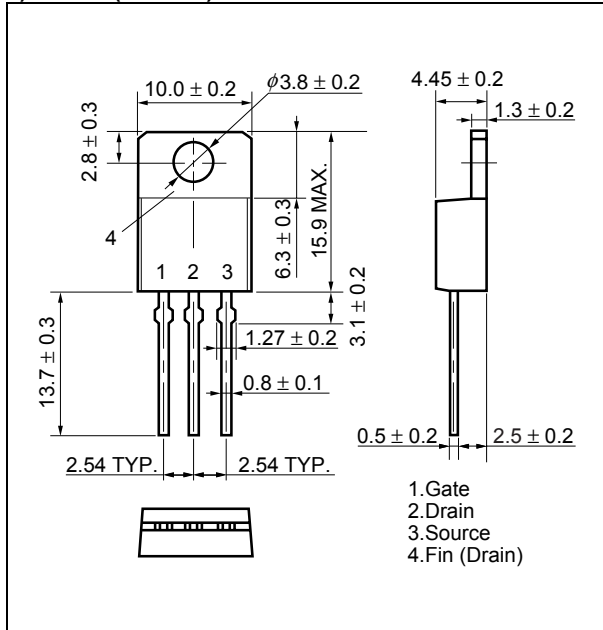


4) TO-262 (MP-25 Fin Cut) ^{Note}

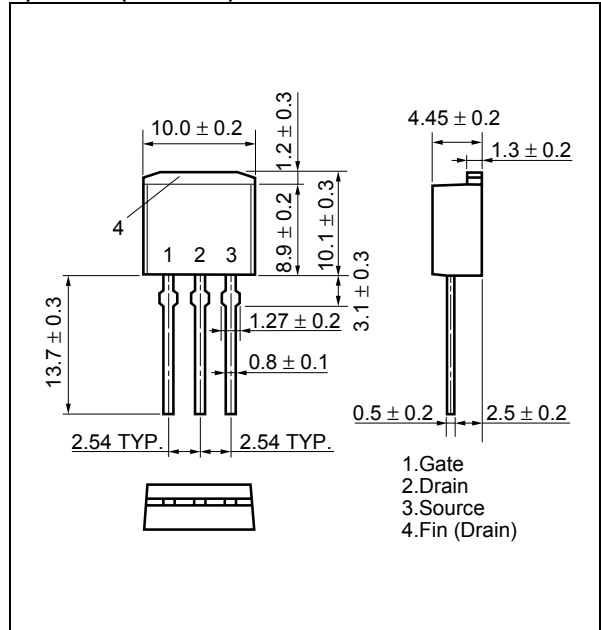


Note Not for new design

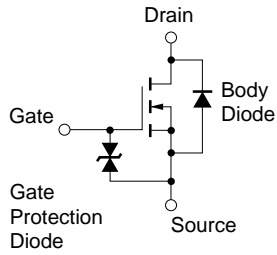
5)TO-220 (MP-25K)



6)TO-262 (MP-25SK)



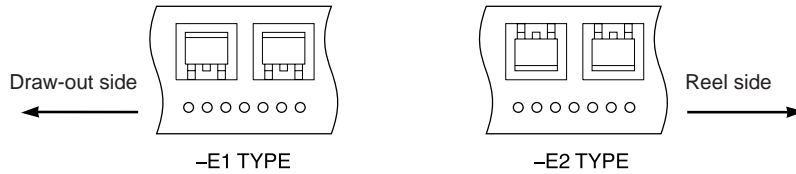
EQUIVALENT CIRCUIT



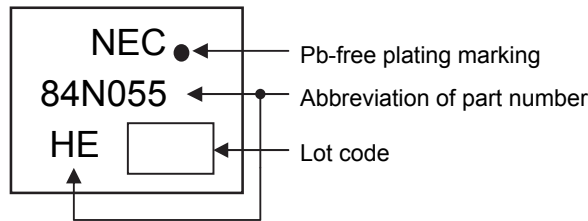
Remark The diode connected between the gate and source of the transistor serves as a protector against ESD. When this device actually used, an additional protection circuit is externally required if a voltage exceeding the rated voltage may be applied to this device.

<R> **TAPE INFORMATION**

There are two types (-E1, -E2) of taping depending on the direction of the device.



<R> **MARKING INFORMATION**



<R> **RECOMMENDED SOLDERING CONDITIONS**

These products should be soldered and mounted under the following recommended conditions.

For soldering methods and conditions other than those recommended below, please contact an NEC Electronics sales representative.

For technical information, see the following website.

Semiconductor Device Mount Manual (<http://www.necel.com/pkg/en/mount/index.html>)

| Soldering Method | Soldering Conditions | Recommended Condition Symbol |
|--|--|------------------------------|
| Infrared reflow MP-25ZJ, MP-25ZK | Maximum temperature (Package's surface temperature): 260°C or below Time at maximum temperature: 10 seconds or less Time of temperature higher than 220°C: 60 seconds or less Preheating time at 160 to 180°C: 60 to 120 seconds Maximum number of reflow processes: 3 times Maximum chlorine content of rosin flux (percentage mass): 0.2% or less | IR60-00-3 |
| Wave soldering MP-25, MP-25K, MP-25SK, MP-25 Fin Cut | Maximum temperature (Solder temperature): 260°C or below Time: 10 seconds or less Maximum chlorine content of rosin flux: 0.2% (wt.) or less | THDWS |
| Partial heating MP-25ZJ, MP-25ZK, MP-25K, MP-25SK | Maximum temperature (Pin temperature): 350°C or below Time (per side of the device): 3 seconds or less Maximum chlorine content of rosin flux: 0.2% (wt.) or less | P350 |
| Partial heating MP-25, MP-25 Fin Cut | Maximum temperature (Pin temperature): 300°C or below Time (per side of the device): 3 seconds or less Maximum chlorine content of rosin flux: 0.2% (wt.) or less | P300 |

Caution Do not use different soldering methods together (except for partial heating).

- **The information in this document is current as of October, 2007. The information is subject to change without notice. For actual design-in, refer to the latest publications of NEC Electronics data sheets or data books, etc., for the most up-to-date specifications of NEC Electronics products. Not all products and/or types are available in every country. Please check with an NEC Electronics sales representative for availability and additional information.**
- No part of this document may be copied or reproduced in any form or by any means without the prior written consent of NEC Electronics. NEC Electronics assumes no responsibility for any errors that may appear in this document.
- NEC Electronics does not assume any liability for infringement of patents, copyrights or other intellectual property rights of third parties by or arising from the use of NEC Electronics products listed in this document or any other liability arising from the use of such products. No license, express, implied or otherwise, is granted under any patents, copyrights or other intellectual property rights of NEC Electronics or others.
- Descriptions of circuits, software and other related information in this document are provided for illustrative purposes in semiconductor product operation and application examples. The incorporation of these circuits, software and information in the design of a customer's equipment shall be done under the full responsibility of the customer. NEC Electronics assumes no responsibility for any losses incurred by customers or third parties arising from the use of these circuits, software and information.
- While NEC Electronics endeavors to enhance the quality, reliability and safety of NEC Electronics products, customers agree and acknowledge that the possibility of defects thereof cannot be eliminated entirely. To minimize risks of damage to property or injury (including death) to persons arising from defects in NEC Electronics products, customers must incorporate sufficient safety measures in their design, such as redundancy, fire-containment and anti-failure features.
- NEC Electronics products are classified into the following three quality grades: "Standard", "Special" and "Specific".

The "Specific" quality grade applies only to NEC Electronics products developed based on a customer-designated "quality assurance program" for a specific application. The recommended applications of an NEC Electronics product depend on its quality grade, as indicated below. Customers must check the quality grade of each NEC Electronics product before using it in a particular application.

"Standard": Computers, office equipment, communications equipment, test and measurement equipment, audio and visual equipment, home electronic appliances, machine tools, personal electronic equipment and industrial robots.

"Special": Transportation equipment (automobiles, trains, ships, etc.), traffic control systems, anti-disaster systems, anti-crime systems, safety equipment and medical equipment (not specifically designed for life support).

"Specific": Aircraft, aerospace equipment, submersible repeaters, nuclear reactor control systems, life support systems and medical equipment for life support, etc.

The quality grade of NEC Electronics products is "Standard" unless otherwise expressly specified in NEC Electronics data sheets or data books, etc. If customers wish to use NEC Electronics products in applications not intended by NEC Electronics, they must contact an NEC Electronics sales representative in advance to determine NEC Electronics' willingness to support a given application.

(Note)

- (1) "NEC Electronics" as used in this statement means NEC Electronics Corporation and also includes its majority-owned subsidiaries.
- (2) "NEC Electronics products" means any product developed or manufactured by or for NEC Electronics (as defined above).