

Connectivity

- PCI r2.3 capable
- CompactPCI Hot Swappable
- 64-bit, 33MHz-133MHz Asynchronous operation
- 5V signal input tolerance and 5V signal to 3.3V signal conversions
- 27mm x 27mm PBGA
- 10KB FIFO size
- PCI-X or PCI Bus Types
- Transparent and Non-Transparent Bridge Function
- Support for 8 Bus Masters
- Usable in CPCI System Slot or Peripheral Slot

Performance

- **Dynamic-Buffer-Management™** for enhanced PCI-X-to-PCI-X bridging
- **Smart-Prefetch™** allows the PCI 6540 to provide data prefetch, store and forward service to secondary bus PCI bus based processors
- **Flow-Thru™** architecture for PCI-X-to-PCI bridging
- Independent reference clock input for PCI-X clock speed measurement
- Large 10K Byte buffer for efficient PCI-X-to-PCI-X and PCI-X-to-PCI bridging and speed conversion
- 8 pairs of REQ/GNT signals support up to 8 bus masters directly on secondary bus
- EEPROM support for extra register control
- Vital Product Data (VPD)
- 16 general purpose IO interface
- PME D3 wakeup power



PLX Technology, Inc.
870 Maude Ave.
Sunnyvale, CA 94085 USA
Tel: 1-800-759-3735
Tel: 1-408-774-9060
Fax: 1-408-774-2169

Email: info@plxtech.com

Web Site: www.plxtech.com

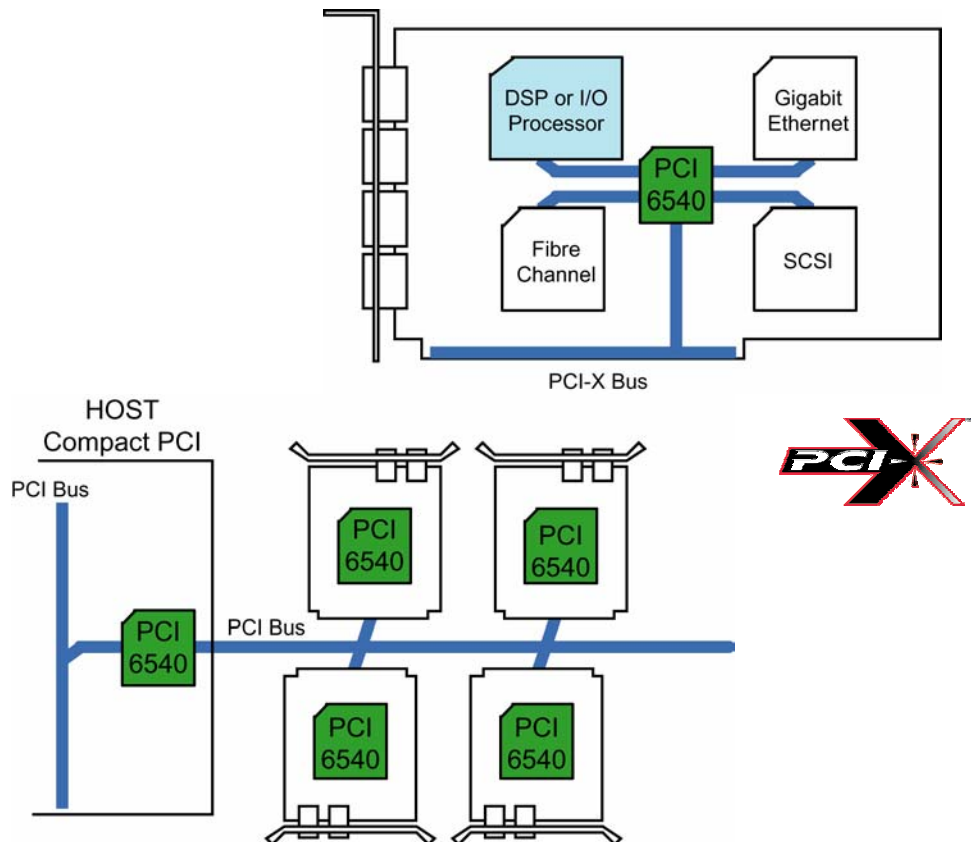
PCI 6540

Dual-Mode (Transparent & Non-Transparent) Universal FastLane™ PCI-X-to-PCI-X Bridge

Adaptive High Performance Asynchronous 133MHz, 64-bit, PCI-X-to-PCI-X Bridge for Servers, Storage, DSP, Telecommunication, Networking and Embedded Applications

PLX's FastLane™ PCI 6540 is a 64-Bit PCI-X-to-PCI-X bridge designed for high performance, high availability applications in PCI-X-to-PCI conversion, frequency conversions from a faster PCI-X to a slower PCI-X bus, address remapping, high availability hot swap, and universal system-to-system bridging.

The FastLane™ PCI 6540 includes sophisticated buffer management and buffer configuration options designed to provide customizable performance for efficient PCI-X-to-PCI conversion and processor bridging. The PCI 6540 allows up to 2KB prefetch during each PCI read and timed FIFO flush management.



Product Ordering Information

| Part Number | Description |
|-----------------|--|
| PCI 6540-xx13BC | PCI 6540 PCI-X-to-PCI-X Bridge Chip (PBGA) |

Please visit the PLX Web site at <http://www.plxtech.com> or contact PLX sales at 408-774-9060 for more information.