

CCD area image sensor S8984, S8985-02

Front-illuminated FFT-CCDs for X-ray imaging



S8984 is an FFT-CCD image sensor ideal for intra-oral X-ray imaging in dental diagnosis. S8984 has about 2 mega (1700 × 1200) pixels each of which is 20 × 20 μm. The fiber optic plate (FOP) used as an input window is as thin as 1.5 mm but highly resistant to X-ray irradiation, making S8984 very reliable even over a long-term operation. The scintillator coated on the FOP is optimized to have high X-ray sensitivity and high resolution (20 Lp/mm).

S8985-02 is an easy-to-use X-ray imaging module using S8984, with added functions such as a cable assembly and X-ray trigger circuit. S8985-02 is pin compatible with S8981-02 (number of pixels is increased). S8985-02 is advanced type of S8985 and adapted both AC and DC X-ray sources.

Features

- Sensor has X-ray monitoring photodiode
- Compactness
5.1 mm thickness excluding I/O connector part
- High dynamic range: 12 bit
- Long-term stability
For use under 100,000 shots
(60 kVp, 30 mR X-ray irradiation)
- Resolution: 20 Lp/mm
- 1700 (H) × 1200 (V) pixel format
- Pixel size: 20 × 20 μm
- Coupled with FOS for X-ray imaging
- 100 % fill factor
- Low dark signal
- Low readout noise
- MPP operation
- AC/DC X-ray source adapted

Applications

- General X-ray imaging
- Non-destructive inspection
- Intra-oral X-ray imaging in dental diagnosis

■ Selection guide

Type No.	Cooling	Number of total pixels	Number of active pixels	Active area [mm (H) × mm (V)]
S8984	Non-cooled	1708 × 1202	1700 × 1200	34 × 24
S8985-02				

■ General ratings

Parameter	S8984	S8985-02
CCD structure	Full frame transfer	
Fill factor	100 %	
Number of active pixels	1700 (H) × 1200 (V)	
Pixel size	20 (H) × 20 (V) μm	
Active area	34 (H) × 24 (V) mm	
Vertical clock phase	2 phase	
Horizontal clock phase	2 phase	
Output circuit	Emitter follower without load resistance	
Dimensional outline	39.5 (H) × 27.5 (V) mm	42.6 (H) × 30.6 (V) mm
Reliability	100,000 shots at 60 kVp, 30 m Roentgen	
Window	Scintillator on 1.5 mm FOP	
Other	MPP mode (low dark current operation), module (S8985-02)	

■ Absolute maximum ratings (Ta=25 °C)

Parameter	Symbol	Min.	Typ.	Max.	Unit
Storage temperature	Tstg	-20	-	+70	°C
Operating temperature	Topr	0	-	+40	°C
OD voltage	VOD	-0.5	-	+20	V
RD voltage	VRD	-0.5	-	+18	V
SG voltage	VSG	-15	-	+15	V
OG voltage	VOG	-15	-	+15	V
RG voltage	VRG	-15	-	+15	V
TG voltage	VTG	-15	-	+15	V
Vertical clock voltage	VP1V, VP2V	-15	-	+15	V
Horizontal clock voltage	VP1H, VP2H	-15	-	+15	V
Vcc voltage	Vcc	0	-	+7	V

■ Operating conditions (MPP mode, Ta=25 °C)

Parameter	Symbol	Min.	Typ.	Max.	Unit	
Output transistor drain voltage	VOD	12	15	-	V	
Reset drain voltage	VRD	12	13	14	V	
Output gate voltage	VOG	-0.5	2	5	V	
Substrate voltage	Vss	-	0	-	V	
Vertical shift register clock voltage	High	VP1VH, VP2VH	0	3	6	V
	Low	VP1VL, VP2VL	-9	-8	-7	V
Horizontal shift register clock voltage	High	VP1HH, VP2HH	0	3	6	V
	Low	VP1HL, VP2HL	-9	-8	-7	V
Summing gate voltage	High	VSGH	0	3	6	V
	Low	VSGL	-9	-8	-7	V
Reset gate voltage	High	VRGH	0	3	6	V
	Low	VRGL	-9	-8	-7	V
Transfer gate voltage	High	VTGH	0	3	6	V
	Low	VTGL	-9	-8	-7	V
+5 V power supply voltage	Vcc	4.75	5	5.25	V	

■ Electrical characteristics (Ta=25 °C)

Parameter	Symbol	Remark	Min.	Typ.	Max.	Unit
Signal output frequency	fc	*1	-	1	5	MHz
Vertical shift register capacitance	CP1V, CP2V		-	70,000	-	pF
Horizontal shift register capacitance	S8984	CP1H, CP2H	-	400	-	pF
	S8985-02		-	600	-	
Summing gate capacitance	S8984	Csg	-	20	-	pF
	S8985-02		-	220	-	
Reset gate capacitance	S8984	CRG	-	20	-	pF
	S8985-02		-	220	-	
Transfer gate capacitance	S8984	CTG	-	250	-	pF
	S8985-02		-	450	-	
Charge transfer efficiency	CTE	*2	0.99995	0.99998	-	-
DC output level	Vout	*3	5	8	11	V
Output impedance	Zo	*3	-	500	-	Ω
Power dissipation	P	*3 *4	-	75	-	mW
+5 V power supply current	S8984	Icc	-	1	-	mA
	S8985-02		-	2	-	

*1: S8984 only. In case of S8985-02, maximum frequency is strongly depend on peripheral circuit and cable length.

*2: Measured at half of the full well capacity. CTE is defined per pixel.

*3: VOD=15 V

*4: Power dissipation of the on-chip amplifier.

■ Electrical and optical characteristics (Ta=25 °C, unless otherwise noted, VOD=15 V)

Parameter		Symbol	Remark	Min.	Typ.	Max.	Unit
Full well capacity	Vertical	Fw		100	200	-	ke ⁻
	Horizontal			-	300	-	
	Summing			-	600	-	
CCD node sensitivity		Sv	*5	1.0	1.4	-	μV/e ⁻
Dark current (MPP mode)		DS	*6	-	250	2,500	e ⁻ /pixel/s
Readout noise		Nr	*7	-	60	-	e ⁻ rms
Dynamic range		DR	*8	-	3,333	-	-
X-ray response non-uniformity		XRNU	*9, *10	-	±10	±30	%
Blemish *11	Point defects *12	White spots	-		-	20	-
		Black spots			-	20	
	Cluster defects	*13		-	-	3	
	Column defects	*14		-	-	1	
X-ray resolution		ΔR	*9	15	20	-	Lp/mm

*5: VOD=15 V, RL(load resistance of emitter follower)=1 kΩ.

*6: Dark signal doubles for every 5 to 7 °C.

*7: -40 °C, operating frequency is 1 MHz.

*8: Dynamic range = Full well capacity / Readout noise

*9: X-ray irradiation of 60 kVp, measured at half of the full well capacity.

*10: XRNU (%) = Noise / Signal × 100

Noise: Fixed pattern noise (peak to peak)

In the range that excludes 5 pixels from edges to the center at every position.

*11: Refer to "Characteristics and use of FFT-CCD area image sensor" of technical information.

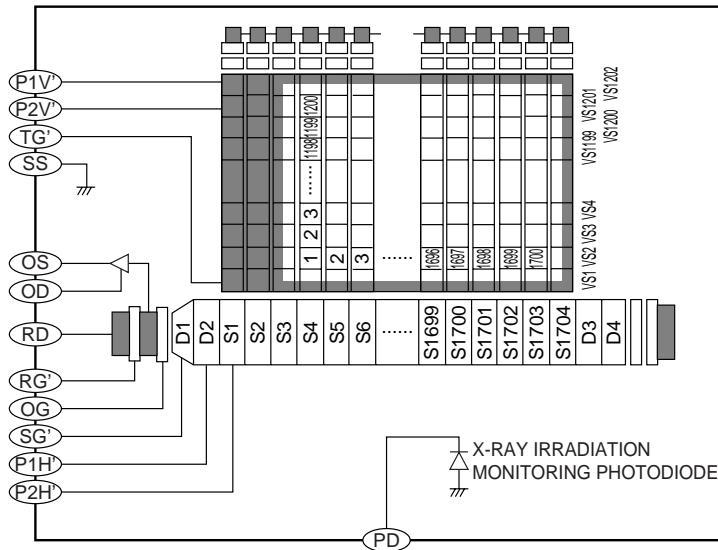
*12: White spots > 10 times of Max. Dark signal (2500 e⁻/pixel/s).

Black spots > 50 % reduction in response relative to adjacent pixels, measured at half of the full well capacity.

*13: continuous 2 to 9 point defects.

*14: continuous > 10 point defects.

■ Device structure



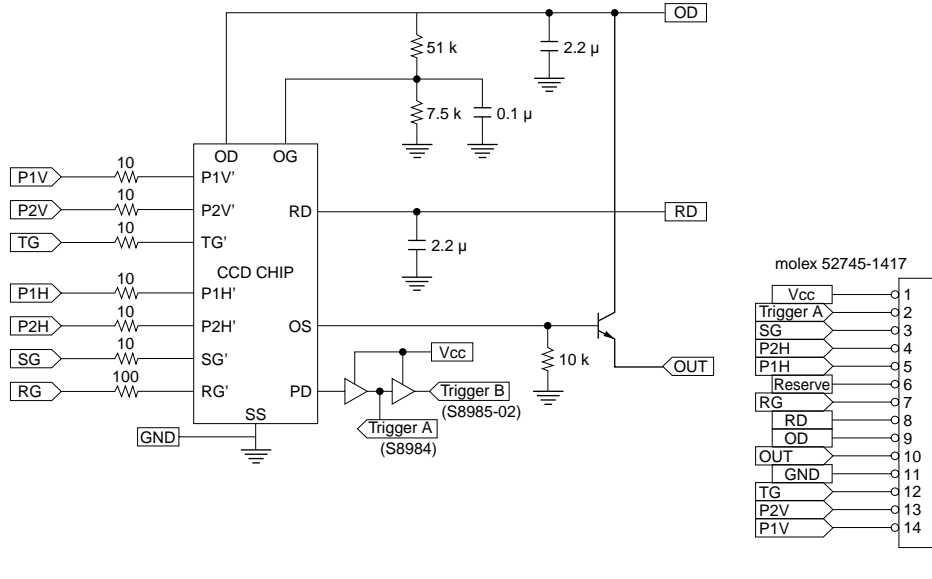
KMPDC0220EA

■ Pixel format

		← Left	Horizontal Direction	→ Right		
Blank	Optical black	Isolation	Effective	Isolation	Optical black	Blank
2	2	1	1700	1	0	2

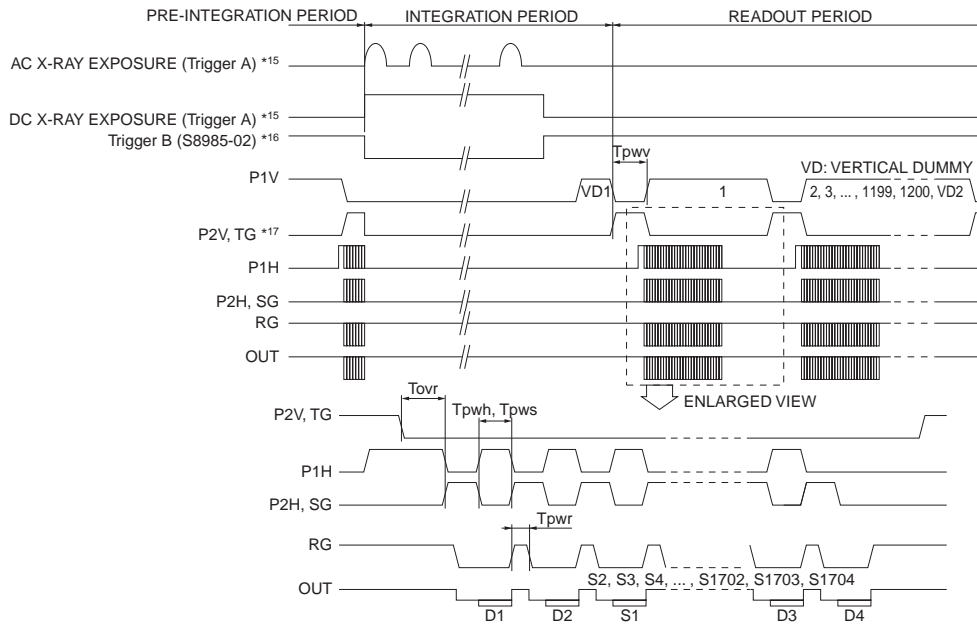
Top ← Vertical direction → Bottom		
Isolation	Effective	Isolation
1	1200	1

On-board circuit



KMPDC0216EB

Timing chart



*15: Trigger A (S8984) is the same as AC/DC X-ray exposure form.

*16: Low active trigger pulse

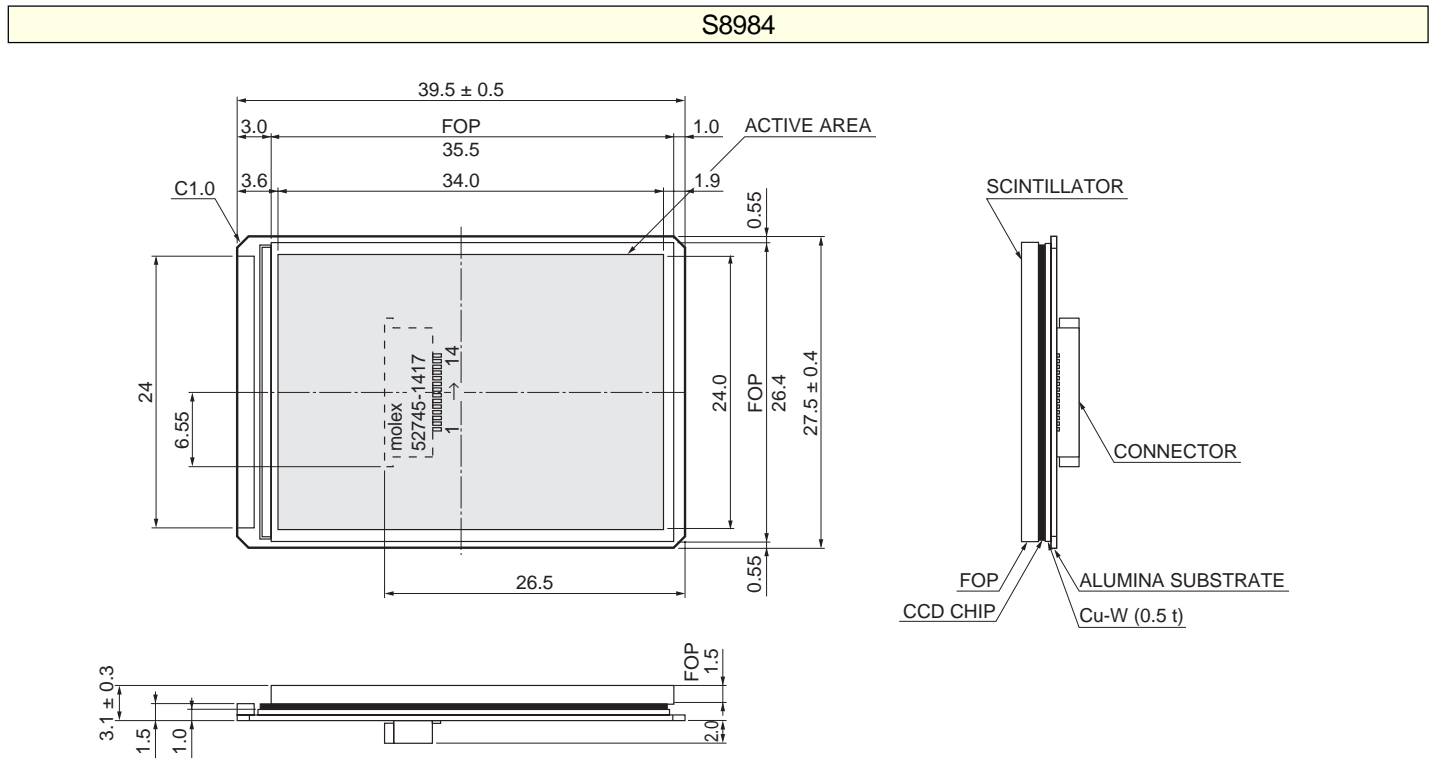
*17: TG terminal can be short-circuited to P2V terminal.

KMPDC0217EA

Parameter	Symbol	Remark	Min.	Typ.	Max.	Unit
P1V, P2V, TG	Pulse width	tpwv ^{*18}	30	60	-	µs
	Rise and fall time	tprv, tpfv	200	-	-	ns
P1H, P2H	Pulse width	tpwh	100	500	-	ns
	Rise and fall time	tprh, tpfh ^{*18}	5	-	-	ns
	Duty ratio		-	50	-	%
SG	Pulse width	tpws	100	500	-	ns
	Rise and fall time	tprs, tpfs	3	-	-	ns
	Duty ratio		-	50	-	%
RG	Pulse width	tpwr	10	50	-	ns
	Rise and fall time	tprr, tpfr	3	-	-	ns
TG-P1H	Overlap time	tovr	18	36	-	µs

*18: Symmetrical pulses should be overlapped at 50 % of maximum amplitude.

■ Dimensional outlines (unit: mm)



KMPDA0175EB

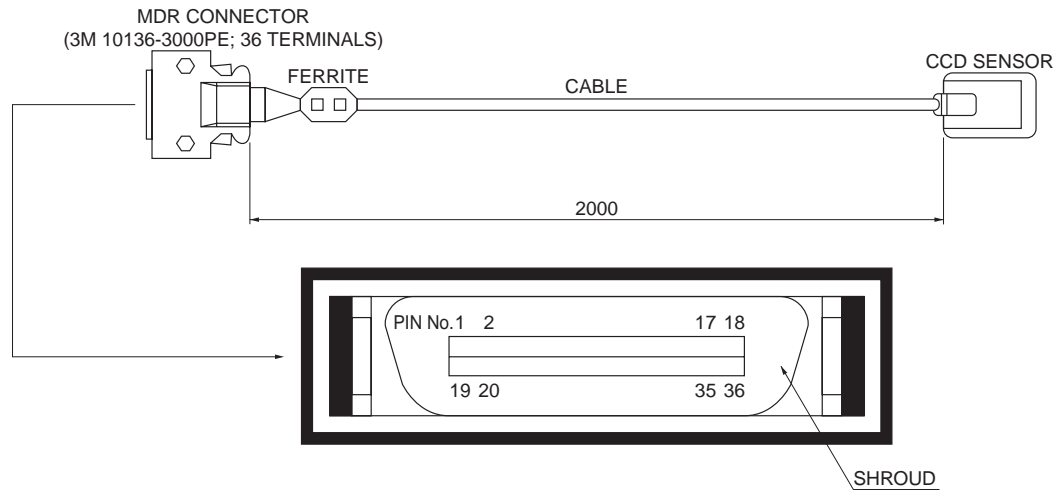
■ Pin connections (Connector on CCD package)

Pin No.	Symbol	Description	Remark
1	Vcc	Analog power +5 V	
2	Trigger A	Trigger A output	
3	SG	Summing gate	
4	P2H	CCD horizontal register clock-2	
5	P1H	CCD horizontal register clock-1	
6	Reserve		Should be opened
7	RG	Reset gate	
8	RD	Reset drain	
9	OD	Output transistor drain	
10	OUT	Signal output	
11	GND	Ground	
12	TG	Transfer gate	
13	P2V	CCD vertical register clock-2	
14	P1V	CCD vertical register clock-1	

■ Dimensional outlines (unit: mm)

S8985-02

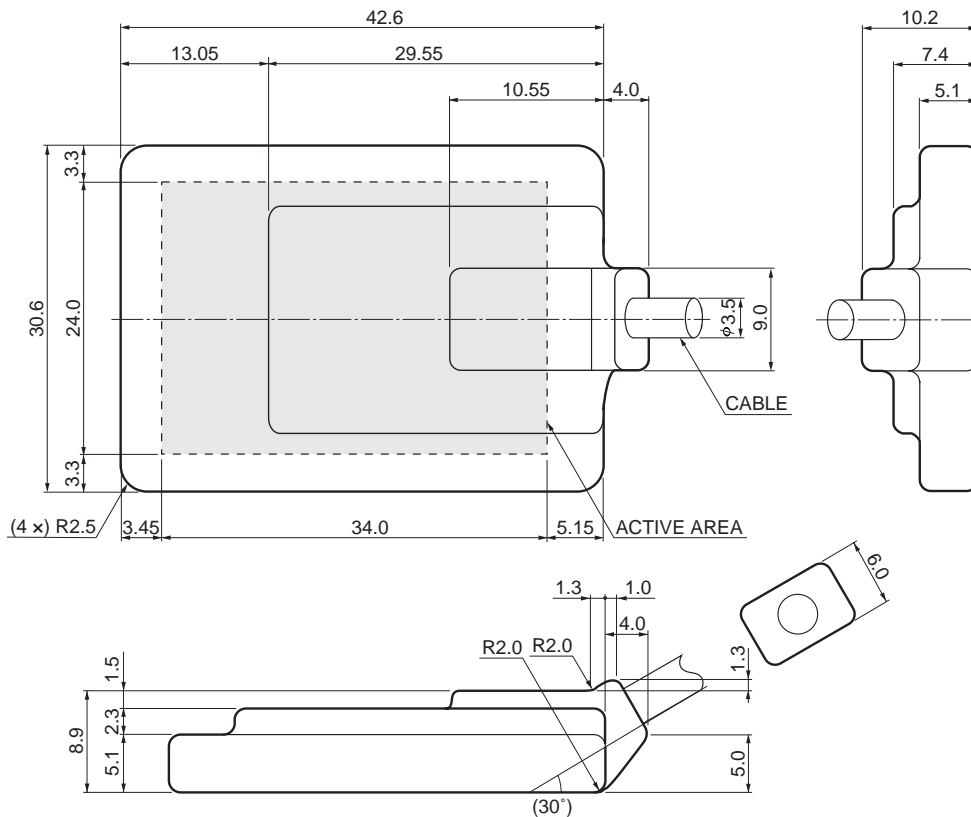
● Entire view



KMPDA0189EA

* The shield of cable and the shroud of MDR connector are electrically connected each other. They are short-circuited, so there is no electrical contact to any other positions.

● CCD sensor



KMPDA0192EA

■ Pin connections

Pin No.	Symbol	Description	Remark
1	GND	Ground	
2	Vcc	+5 V power supply	
3	SG	Summing gate	Same timing as P2H
4	Trigger B	Trigger B output	
5	RG	Reset gate	
6	NC		
7			Should be opened
8	NC		
9	RD	Reset drain	
10	NC		
11	OD	Output transistor drain	
12	NC		
13	OUT	Sensor output	
14	NC		
15	GND	Ground	
16	NC		
17	P1V	CCD vertical register clock-1	
18	Reserve		Should be opened
19	Reserve		Should be opened
20	P2H	CCD horizontal register clock-2	
21	NC		
22	P1H	CCD horizontal register clock-1	
23	NC		
24	GND	Ground	
25	NC		
26	RD	Reset drain	
27	NC		
28	OD	Output transistor drain	
29	NC		
30	GND	Ground	
31	NC		
32	OUT	Sensor output	
33	NC		
34	P2V	CCD vertical register clock-2	
35	NC		
36	TG	Transfer gate	Same timing as P2V

■ Precautions for use (Electrostatic countermeasures)

- *Handle these sensors with bare hands or wearing cotton gloves. In addition, wear anti-static clothing or use a wrist band with an earth ring, in order to prevent electrostatic damage due to electrical charges from friction.
- *Avoid directly placing these sensors on a work-desk or work-bench that may carry an electrostatic charge.
- *Provide ground lines or ground connection with the work-floor, work-desk and work-bench to allow static electricity to discharge.
- *Ground the tools used to handle these sensors, such as tweezers and soldering irons.

It is not always necessary to provide all the electrostatic measures stated above. Implement these measures according to the amount of damage that occurs.

HAMAMATSU

Information furnished by HAMAMATSU is believed to be reliable. However, no responsibility is assumed for possible inaccuracies or omissions. Specifications are subject to change without notice. No patent rights are granted to any of the circuits described herein. ©2006 Hamamatsu Photonics K.K.

HAMAMATSU PHOTONICS K.K., Solid State Division

1126-1 Ichino-cho, Higashi-ku, Hamamatsu City, 435-8558 Japan, Telephone: (81) 53-434-3311, Fax: (81) 53-434-5184, www.hamamatsu.com

U.S.A.: Hamamatsu Corporation: 360 Foothill Road, P.O.Box 6910, Bridgewater, N.J. 08807-0910, U.S.A., Telephone: (1) 908-231-0960, Fax: (1) 908-231-1218

Germany: Hamamatsu Photonics Deutschland GmbH: Arzbergerstr. 10, D-82211 Herrsching am Ammersee, Germany, Telephone: (49) 08152-3750, Fax: (49) 08152-2658

France: Hamamatsu Photonics France S.A.R.L.: 19, Rue du Saule Trapu, Parc du Moulin de Massy, 91882 Massy Cedex, France, Telephone: 33-(1) 69 53 71 00, Fax: 33-(1) 69 53 71 10

United Kingdom: Hamamatsu Photonics UK Limited: 2 Howard Court, 10 Tewin Road, Welwyn Garden City, Hertfordshire AL7 1BW, United Kingdom, Telephone: (44) 1707-294888, Fax: (44) 1707-325777

North Europe: Hamamatsu Photonics Norden AB: Smidsavägen 12, SE-171 41 Solna, Sweden, Telephone: (46) 8-509-031-00, Fax: (46) 8-509-031-01

Italy: Hamamatsu Photonics Italia S.R.L.: Strada della Moia, 1/E, 20020 Arese, (Milano), Italy, Telephone: (39) 02-935-81-733, Fax: (39) 02-935-81-741