

Type: EE2225

Product Description

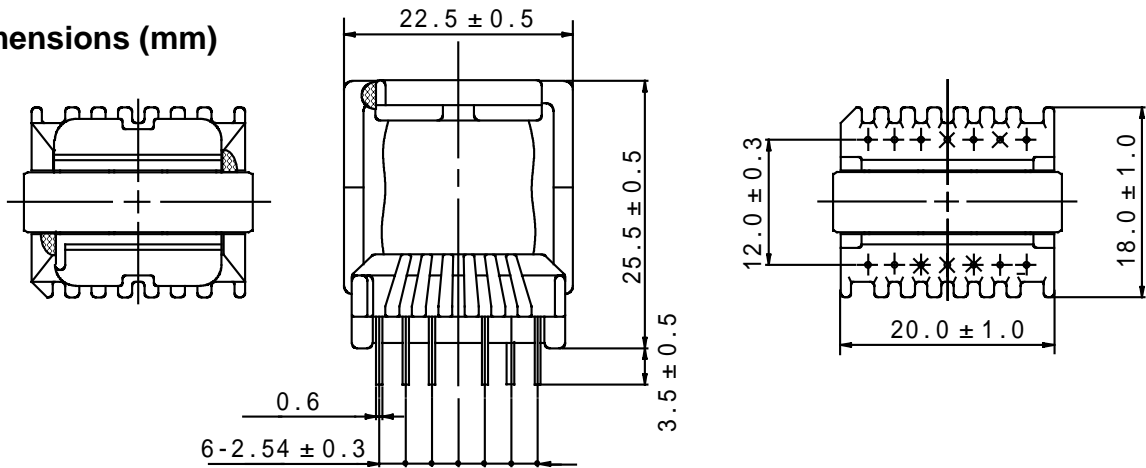
- 23.0 × 19.0mm Max.(L × W), 26.0mm Max. Height.
- In addition to the typical versions of parameters shown here, custom designs are available to meet your exact requirements



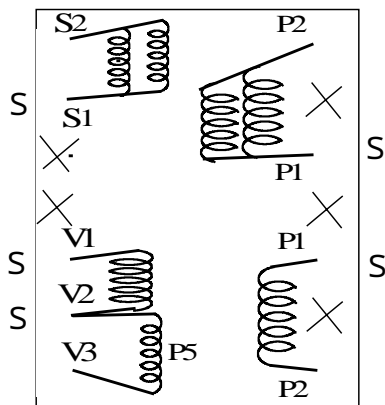
Feature

- Max. Operating frequency 300KHz. Max. Operating power 18.0W(300kHz)
- Ideally used in EL inverter, camera, Switching regulator.
- RoHS Compliance

Dimensions (mm)



Schematics (Bottom)



“ S ” is winding start

Specification

Sample No.	Inductance (9-8) 1kHz/1V	D.C.R. (10-8)	Hi-pot (10,8-1,2,3,12,14)(50/60Hz)
4398-T023	2.4mH ± 20%	4.0 Max.	AC 1500Vrms/1 min.