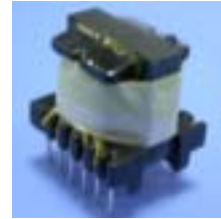


**Type: EE1617**

**Product Description**

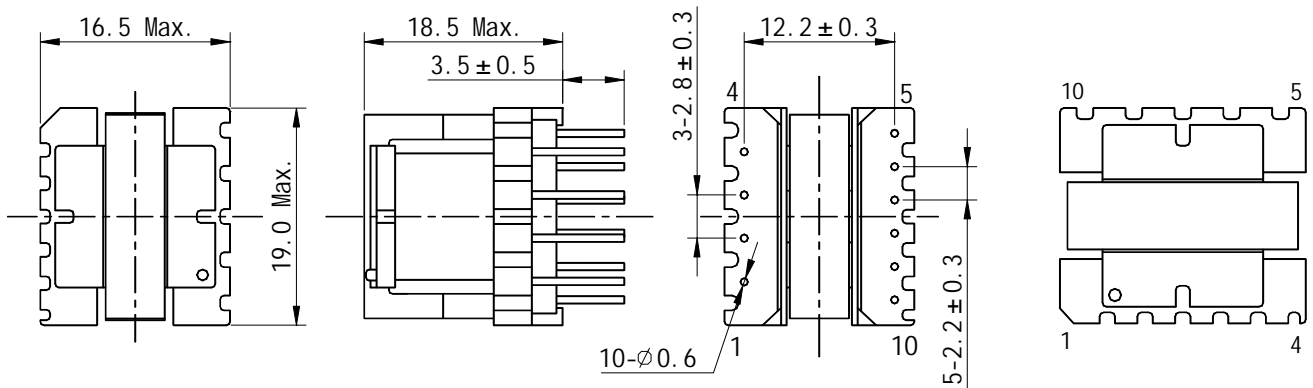
- 19.0 x 16.5mm Max.(L x W), 16.5mm Max. Height.
- In addition to the typical versions of parameters shown here, custom designs are available to meet your exact requirements



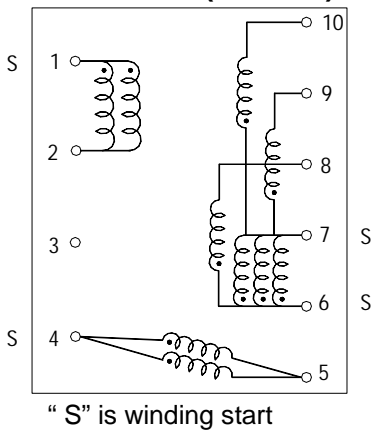
**Feature**

- Max. Operating frequency 300kHz. Max. Operating power 12.0W(300kHz)
- Ideally used in EL inverters, camera strobe light transformers. Switching regulator.
- RoHS Compliance

**Dimensions (mm)**



**Schematics (Bottom)**



**Specification**

Sample No.	Inductance (1-2) 100kHz/0.1V	D.C.R. (1-2)	Hi-pot (1,2-4,5,6,7,8,9,10)(50/60Hz)
10339-T003	2.5mH ± 20%	6.5 Max.	AC 1200Vrms/2sec.