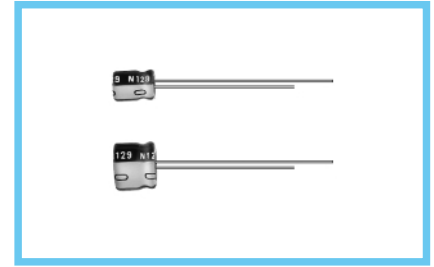
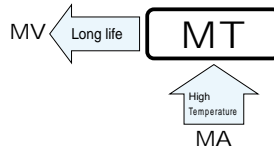


MT series 5mmL, Wide Temperature Range



Anti-Solvent Feature

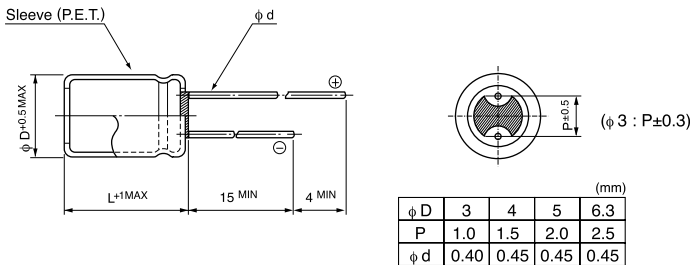
- Wide temperature range of $-55 \sim +105^{\circ}\text{C}$, with 5mm height.
- Adapted to the RoHS directive (2002/95/EC).



Specifications

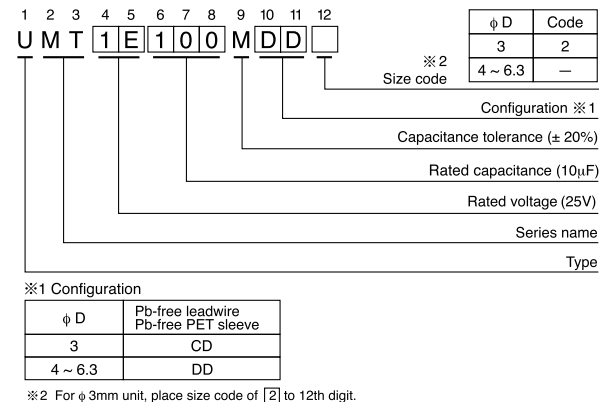
Item	Performance Characteristics								
Category Temperature Range	$-55 \sim +105^{\circ}\text{C}$								
Voltage Range	4 ~ 50V								
Rated Capacitance Range	0.1 ~ 100 μF								
Rated Capacitance Tolerance	$\pm 20\%$ at 120Hz, 20 $^{\circ}\text{C}$								
Leakage Current	After 2 minutes' application of rated voltage, leakage current is not more than 0.01CV or 3 (μA), whichever is greater.								
tan δ	Measurement frequency : 120Hz, Temperature : 20 $^{\circ}\text{C}$								Figures in () are for $\phi 3$ product.
	Rated voltage (V)	4	6.3	10	16	25	35	50	
Stability at Low Temperature	Measurement frequency : 120Hz								
	Rated voltage (V)	4	6.3	10	16	25	35	50	
	Impedance ratio	Z -25°C / Z $+20^{\circ}\text{C}$	6	3	3	2	2	2	
Endurance	After 1000 hours' application of rated voltage at 105 $^{\circ}\text{C}$, capacitors meet the characteristic requirements listed at right.								
	Capacitance change	Within $\pm 25\%$ of initial value ($\phi 3\text{mm}$ unit, and $\leq 16\text{V}$) Within $\pm 20\%$ of initial value ($\geq 25\text{V}$)							
	tan δ	200% or less of initial specified value							
Shelf Life	After storing the capacitors under no load at 105 $^{\circ}\text{C}$ for 1000 hours, and after performing voltage treatment based on JIS C 5101-4 clause 4.1 at 20 $^{\circ}\text{C}$, they will meet the specified value for endurance characteristics listed above.								
	Marking	Printed with white color letter on black sleeve.							

Radial Lead Type



● Please refer to page 21 about the end seal configuration.

Type numbering system (Example : 25V 10 μF)



Dimensions

Cap. (μF)	Code	4		6.3		10		16		25		35		50	
		0G		0J		1A		1C		1E		1V		1H	
0.1	0R1														
0.22	R22														● 4 \times 5 1.0
0.33	R33														● 4 \times 5 2.6
0.47	R47														● 4 \times 5 3.2
1	010														● 4 \times 5 3.8
2.2	2R2														● 4 \times 5 6.2 (5.9)
3.3	3R3														● 4 \times 5 11 (9)
4.7	4R7														● 4 \times 5 14
10	100														● 4 \times 5 19
22	220	4 \times 5	22	4 \times 5	22	5 \times 5	27	5 \times 5	30	6.3 \times 5	38	6.3 \times 5	48		● 4 \times 5 30
33	330	5 \times 5	30	5 \times 5	30	5 \times 5	35	6.3 \times 5	40	6.3 \times 5	48				
47	470	5 \times 5	36	5 \times 5	36	6.3 \times 5	46	6.3 \times 5	50						
100	101	6.3 \times 5	60	6.3 \times 5	60										

Size $\phi 3 \times 5$ is available for capacitors marked "●"
Figures in () are for $\phi 3$ product.

Rated Ripple (mArms) at 105 $^{\circ}\text{C}$ 120Hz

Frequency coefficient of rated ripple current

Frequency	50 Hz	120 Hz	300 Hz	1 kHz	10 kHz ~
Coefficient	0.70	1.00	1.17	1.36	1.50

Please refer to page 21, 22, 23 about the formed or taped product spec.
Please refer to page 3 for the minimum order quantity.