



## DUAL PRECISION CMOS VOLTAGE COMPARATOR WITH PUSH-PULL DRIVER

### GENERAL DESCRIPTION

The ALD2302A/ALD2302 are monolithic precision high performance dual voltage comparators built with advanced silicon gate CMOS technology. The primary features are: very high typical input impedance of  $10^{12}\Omega$ ; low input bias current of  $10\text{pA}$ ; fast response time of  $180\text{ns}$ ; very low power dissipation of  $175\mu\text{A}$  per comparator; and single (+5V) or dual ( $\pm 5\text{V}$ ) power supply operation.

The input voltage range includes ground, which makes these comparators ideal for single supply low level signal detection with high source impedance. The outputs can source and sink current allowing for application flexibility. They can be used in either wired-OR connection without pull-up resistor or push-pull configuration. The ALD2302A/ALD2302 can also be used in wired-OR connection with other open drain circuits such as the ALD2301/ALD2303 voltage comparators.

The ALD2302A/ALD2302 voltage comparators are ideal for a great variety of applications, especially in low level signal detection circuits which require low standby power and high output current. For quad packages, use the ALD4302 quad voltage comparator.

### APPLICATIONS

- PCMCIA instruments
- MOSFET driver
- High source impedance voltage comparison circuits
- Multiple limit window comparator
- Power supply voltage monitor
- Photodetector sensor circuit
- High speed LED driver
- Oscillators
- Battery operated instruments
- Remote signal detection
- Multiple relay drivers

### BENEFITS

- On-chip input and output buffers
- Precision voltage comparison capability
- Eliminate need for second power supply
- Eliminate pull-up resistor

### ORDERING INFORMATION ("L" suffix for lead free version)

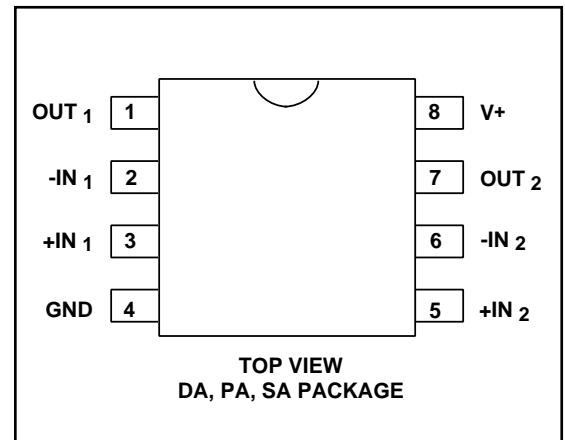
Operating Temperature Range *		
-55°C to +125°C	0°C to +70°C	0°C to +70°C
8-Pin CERDIP Package	8-Pin Small Outline Package (SOIC)	8-Pin Plastic Dip Package
ALD2302ADA ALD2302DA	ALD2302ASA ALD2302ASAL ALD2302SA ALD2302SAL	ALD2302APA ALD2302APAL ALD2302PA ALD2302PAL

\* Contact factory for industrial temperature range

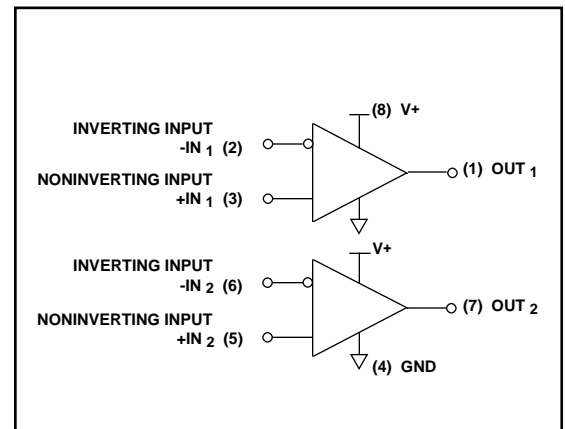
### FEATURES

- Guaranteed to drive  $200\Omega$  loads
- Fanout of 30LS TTL loads
- Low supply current of  $175\mu\text{A}$  each comparator
- Pinout of LM193 type industry standard comparators
- Extremely low input bias currents --  $10\text{pA}$
- Virtually eliminates source impedance effects
- Low operating supply voltage of 4V to 12V
- Single (+5V) and dual supply ( $\pm 5\text{V}$ ) operation
- High speed for both large and small signals --  $180\text{ns}$  for TTL inputs and  $400\text{ns}$  for  $20\text{mV}$  overdrive
- CMOS, NMOS and TTL compatible
- Push-pull outputs-current sourcing/ sinking
- High output sinking current --  $60\text{mA}$
- Low supply current spikes

### PIN CONFIGURATION



### BLOCK DIAGRAM



## ABSOLUTE MAXIMUM RATINGS

Supply voltage,  $V^+$  \_\_\_\_\_ 13.2V  
 Differential input voltage range \_\_\_\_\_ -0.3V to  $V^+$  +0.3V  
 Power dissipation \_\_\_\_\_ 600 mW  
 Operating temperature range PA, SA package \_\_\_\_\_ 0°C to +70°C  
 DA package \_\_\_\_\_ -55°C to +125°C  
 Storage temperature range \_\_\_\_\_ -65°C to +150°C  
 Lead temperature, 10 seconds \_\_\_\_\_ +260°C

## OPERATING ELECTRICAL CHARACTERISTICS

$T_A = 25^\circ\text{C}$   $V^+ = +5\text{V}$  unless otherwise specified

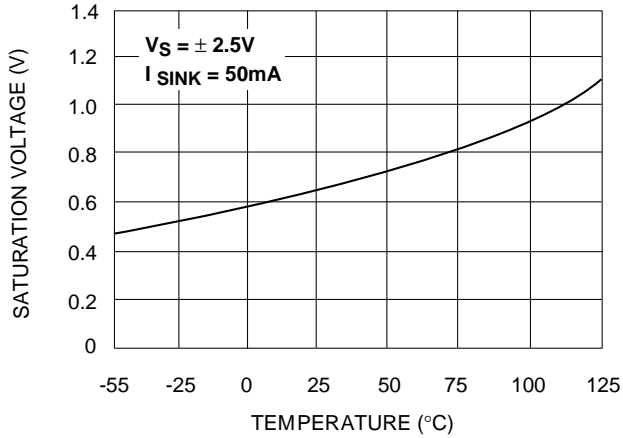
Parameter	Symbol	2302A			2302			Unit	Test Conditions
		Min	Typ	Max	Min	Typ	Max		
Voltage Supply	$V_S$	$\pm 2$		$\pm 6$	$\pm 2$		$\pm 6$	V	Dual Supply
	$V^+$	4		12	4		12	V	Single Supply
Supply Current	$I_S$		350	500		350	500	$\mu\text{A}$	$R_{LOAD} = \infty$
Voltage Gain	$A_{VD}$	10	100		10	100		V/mV	$R_{LOAD} \geq 15\text{K}\Omega$
Input Offset Voltage	$V_{OS}$		1.0	2.0		3.0	5.0	mV	$R_{LOAD} = 1.5\text{K}\Omega$ $0^\circ\text{C} \leq T_A \leq 70^\circ\text{C}$
Input Offset Current <sup>1</sup>	$I_{OS}$		10	200 800		10	200 800	pA	
Input Bias Current <sup>1</sup>	$I_B$		10	200 1000		10	200 1000	pA	$0^\circ\text{C} \leq T_A \leq 70^\circ\text{C}$
Common Mode Input Voltage Range <sup>2</sup>	$V_{ICR}$	-0.3		$V^+ - 1.5$	-0.3		$V^+ - 1.5$	V	$0^\circ\text{C} \leq T_A \leq 70^\circ\text{C}$
Low Level Output Voltage	$V_{OL}$		0.18	0.4		0.18	0.4	V	$I_{SINK} = 12\text{mA}$ $V_{INPUT} = 1\text{V}$ Differential
Low Level Output Current	$I_{OL}$	24	60		24	60		mA	$V_{OL} = 1.0\text{V}$
High Level Output Voltage	$V_{OH}$	3.5	4.5		3.5	4.5		V	$I_{OH} = -2\text{mA}$
Response Time <sup>2</sup>	$t_{RP}$		400			400		ns	$C_L = 15\text{pF}$ 100mV Input Step/20mV Overdrive
			180			180		ns	$C_L = 15\text{pF}$ TTL- Level Input Step

Notes: <sup>1</sup> Consists of junction leakage currents

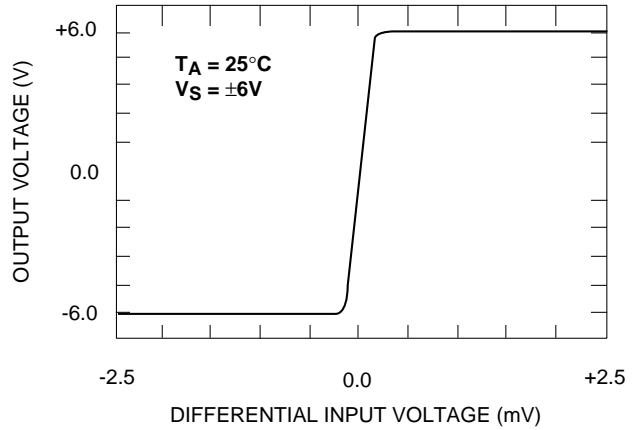
<sup>2</sup> Sample tested parameters

# TYPICAL PERFORMANCE CHARACTERISTICS

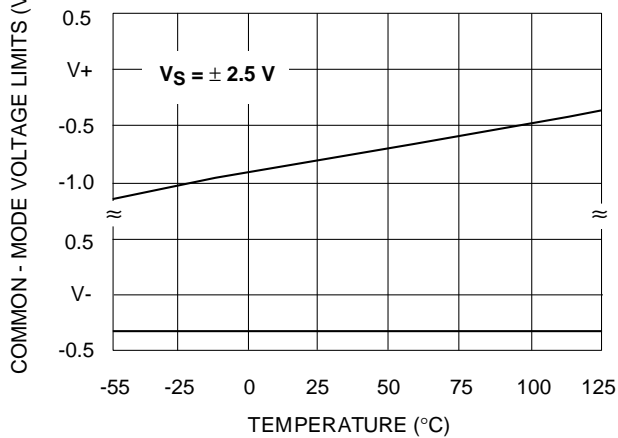
## SATURATION VOLTAGE vs. TEMPERATURE



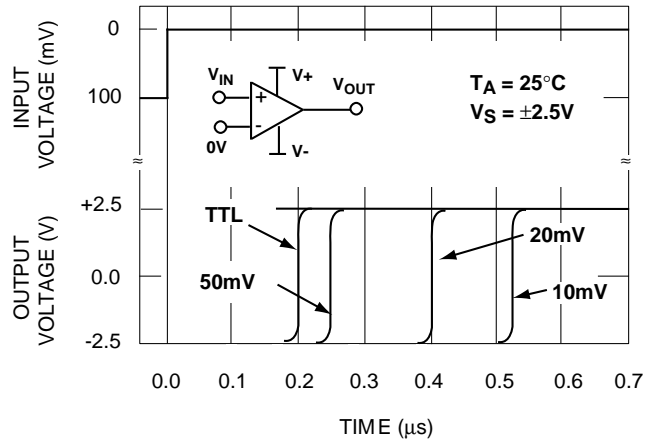
## TRANSFER FUNCTION



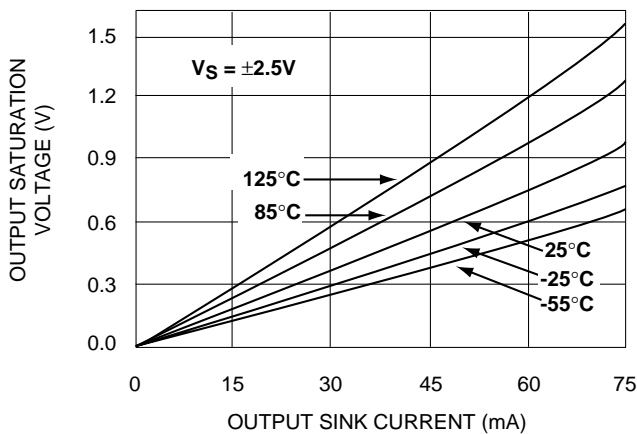
## COMMON - MODE VOLTAGE REFERRED TO SUPPLY VOLTAGE



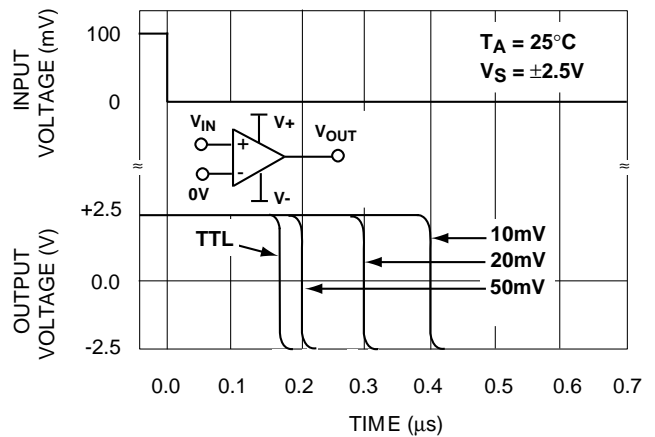
## RESPONSE TIME FOR VARIOUS INPUT OVERDRIVES



## SATURATION VOLTAGE vs. SINK CURRENT

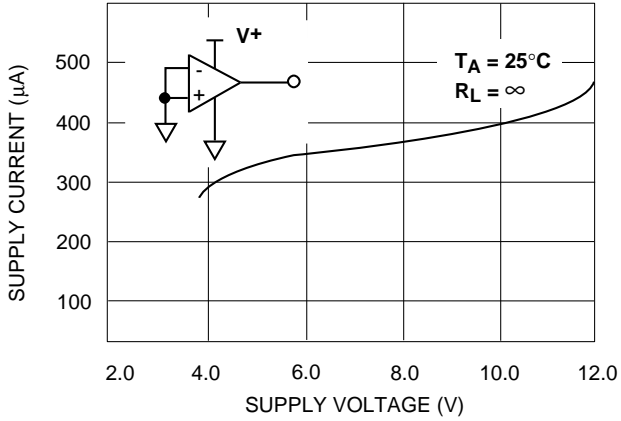


## RESPONSE TIME FOR VARIOUS INPUT OVERDRIVES

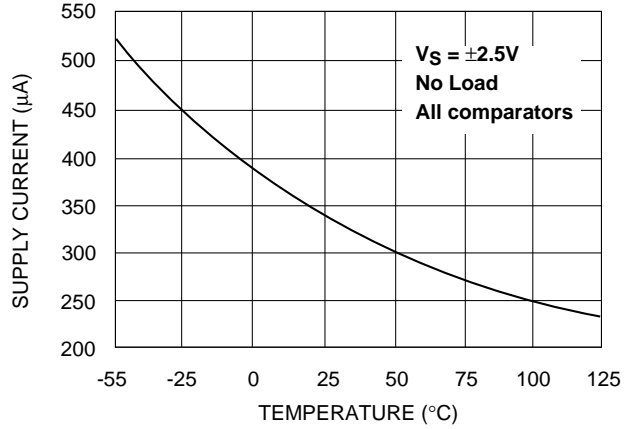


# TYPICAL PERFORMANCE CHARACTERISTICS

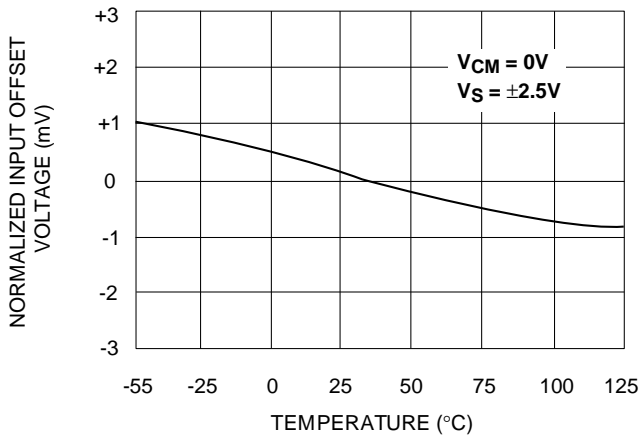
**TOTAL SUPPLY CURRENT vs. TOTAL SUPPLY VOLTAGE**



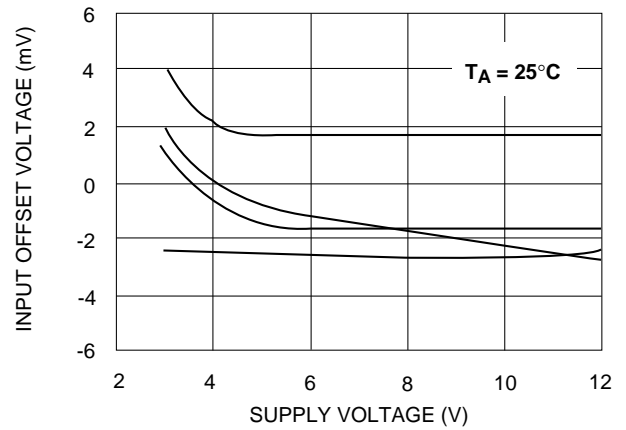
**SUPPLY CURRENT vs. TEMPERATURE**



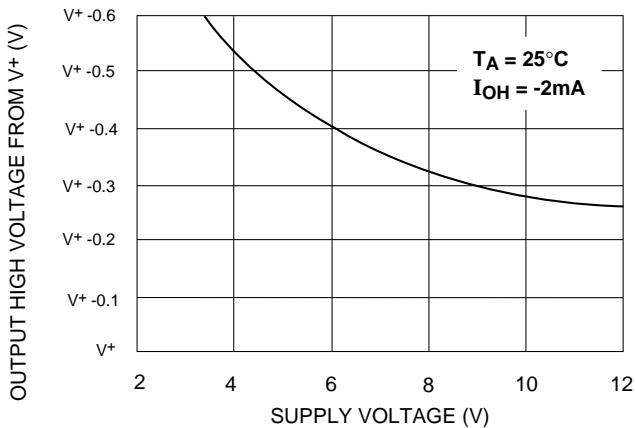
**NORMALIZED INPUT OFFSET VOLTAGE vs. TEMPERATURE**



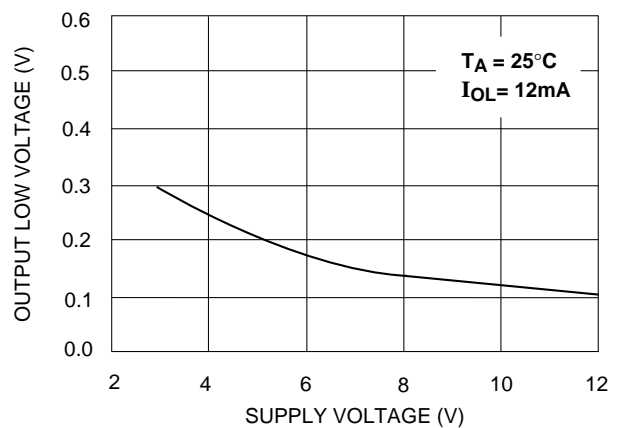
**INPUT OFFSET VOLTAGE vs. SUPPLY VOLTAGE REPRESENTATIVE SAMPLES**



**OUTPUT HIGH VOLTAGE vs. SUPPLY VOLTAGE**

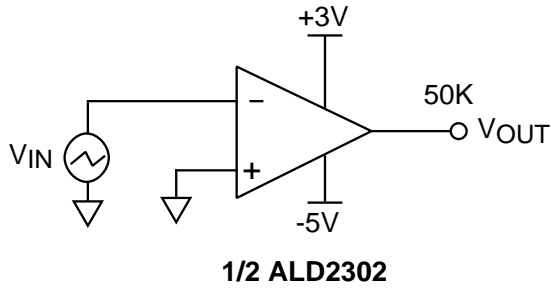


**OUTPUT LOW VOLTAGE vs. SUPPLY VOLTAGE**

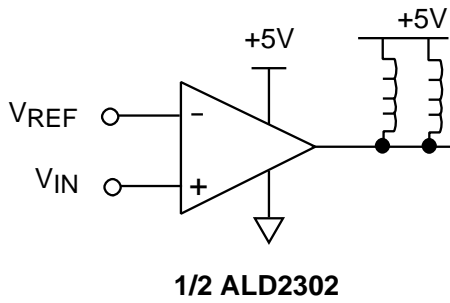


# TYPICAL APPLICATIONS

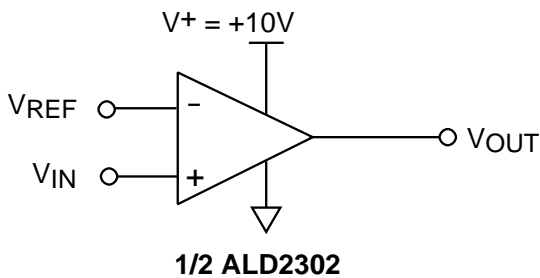
## ZERO CROSSING DETECTOR



## MULTIPLE RELAY DRIVE



## VOLTAGE LEVEL TRANSLATOR

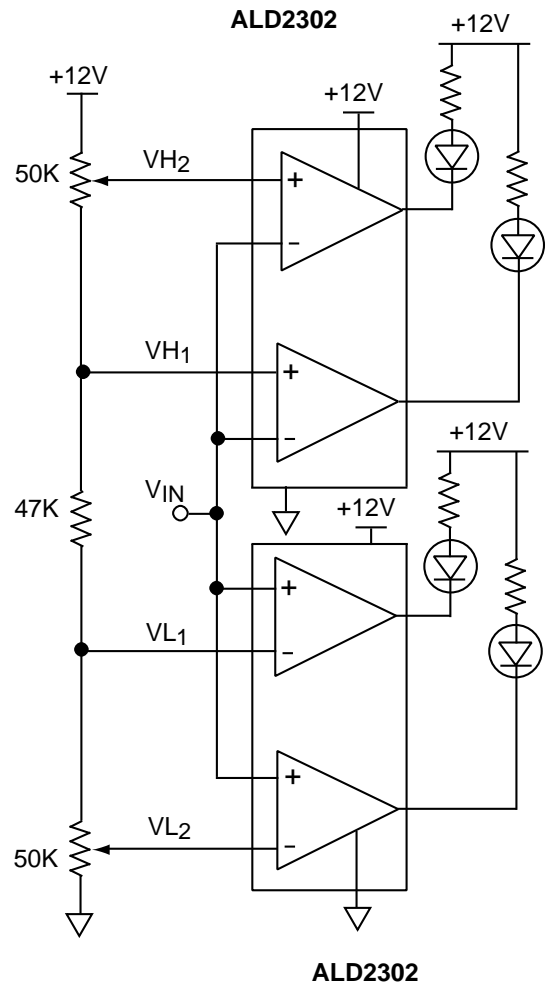


$$V_{REF} = 1.4V \text{ for TTL input}$$

$$V_{REF} = \frac{V^+}{2} \text{ for CMOS input}$$

Output  $V_{OUT}$  swings from rail-to-rail

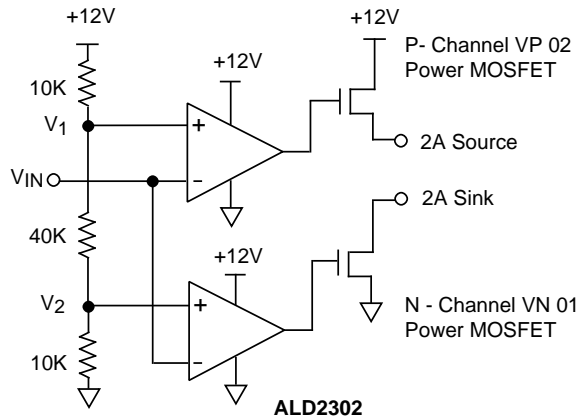
## DOUBLE DUAL LIMIT WINDOW COMPARATOR



$VL_1$  and  $VH_1$  first limit window send warning  
 $VL_2$  and  $VH_2$  second limit window execute system cutoff

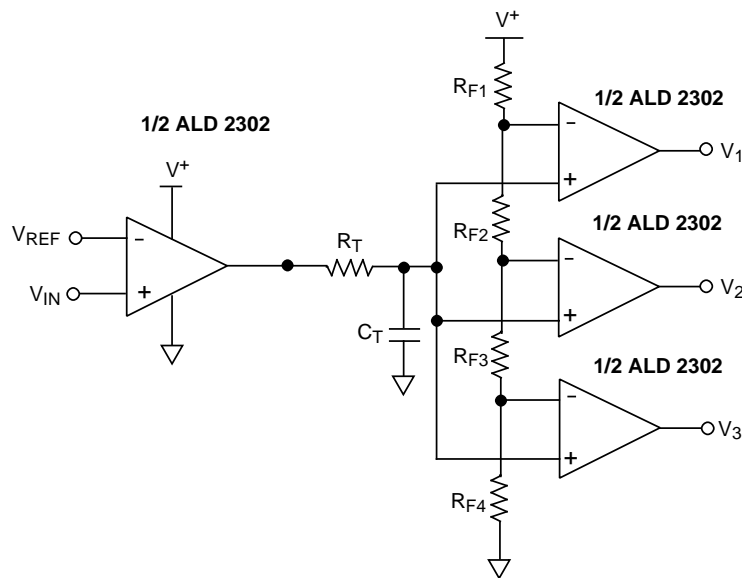
## TYPICAL APPLICATIONS

### PUSH-PULL COMPLEMENTARY POWER MOSFET DRIVER



This circuit eliminates crossover current in the complementary power transistors. The outputs can be used to source and sink different loads or tied together to provide push-pull drive of the same load.

### TIME DELAY GENERATOR



#### Design & Operating Notes:

1. As each output sources up to 10mA in the output high state, the output stage of a wired-OR low output circuit must be able to sink this current and still provide desired output voltage levels. For TTL output levels, this consideration limits the number to a maximum of three ALD2302 outputs wired-OR together.
2. In order to minimize stray oscillation, all unused inputs must be tied to ground.
3. The input bias and offset currents are essentially input protection diode reverse bias leakage currents, and are typically less than 1 pA at room temperature. The currents are a function of ambient temperature, and would have to be considered in applications where very high source impedance or high accuracy are involved.
4. The high output sinking current of 60mA for each output offers flexibility in many applications, as a separate buffer or driver would not be necessary to drive the intended load. However, as the circuit normally operates close to ambient temperature due to its very low power consumption, thermal effects caused by large output current transients must be considered in certain applications.