

# TMX W313

SAW Bandpass Filter – DCS1800 Rx - RF  
Specification (Rev 2)

---

▣ Features.....	P01
▣ Package Drawing & Pin out.....	P01
▣ Technical Characteristics .....	P02
▣ Matching Network .....	P02
▣ Nominal Response.....	P03
▣ Maximum Ratings.....	P04
▣ Marking & Packaging .....	P04

# TMX W313

## SAW Bandpass Filter – DCS1800 Rx - RF

Specification (Rev.2)- RF

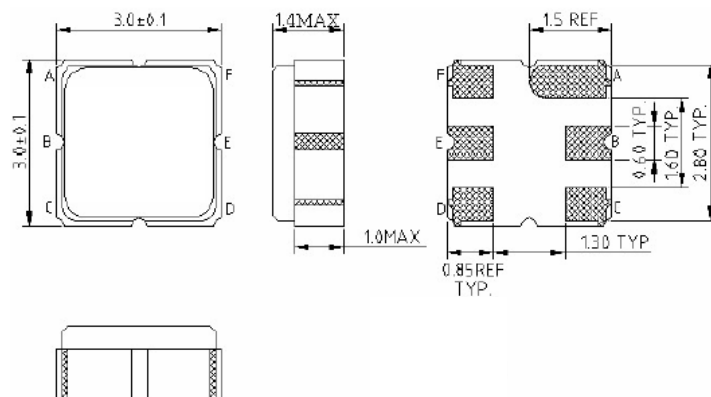
September 25<sup>th</sup>, 2005

### Features

- ❑ Rx SAW Filter for DCS1800
- ❑ 1842.42 MHz Center Frequency
- ❑ 75 MHz useable Passband
- ❑ 50 Ohms Single Configuration
- ❑ Ceramic package for Surface Mounted Technology

### Package Drawing & Pin out

The product is in conformance with the European RoHs Regulation 2002/95.



Pin Configuration	
Input	B
Output	E
Case ground	A, C, D, F

# TMX W313

## SAW Bandpass Filter – DCS1800 Rx - RF

Specification (Rev.2)- RF

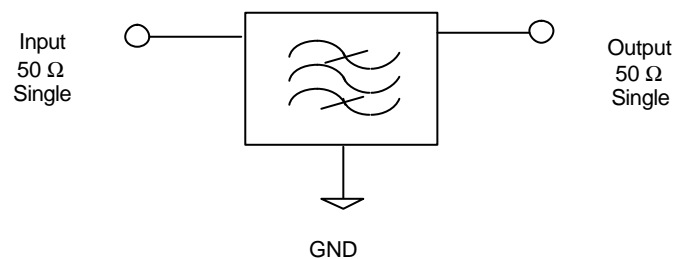
September 25<sup>th</sup>, 2005

### Technical Characteristics

Reference Temperature : +25°C

Electrical Parameters	Unit	Minimum	Typical <sup>(1)</sup>	Maximum
Source Impedance (single)	Ohms	-	50	-
Load Impedance (single)	Ohms	-	50	-
Center Frequency $f_c$	MHz	-	1842.42	-
Bandwidth at -3dB	MHz	75	-	-
<b>Absolute Attenuation</b>				
DC to 1500 MHz	dB	20	25	-
1600 MHz to 1710 MHz	dB	22	25	-
1710 MHz to 1785 MHz	dB	10	24	-
1920 MHz to 3120 MHz	dB	25	28	-
3120 MHz to 4000 MHz	dB	17	30	-
Insertion Loss within 1805 MHz ~ 1880 MHz	dB	-	2.2	3.8
VSWR within 1805 MHz ~ 1880 MHz		-	1.9	2.6
Ripple within 1805 MHz ~ 1880 MHz	dB	-	1.3	2.3

### Matching Network



# TMX W313

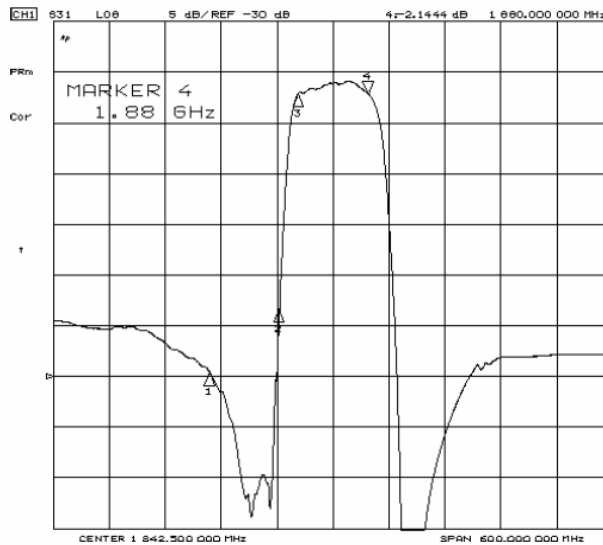
## SAW Bandpass Filter – DCS1800 Rx - RF

Specification (Rev.2)- RF

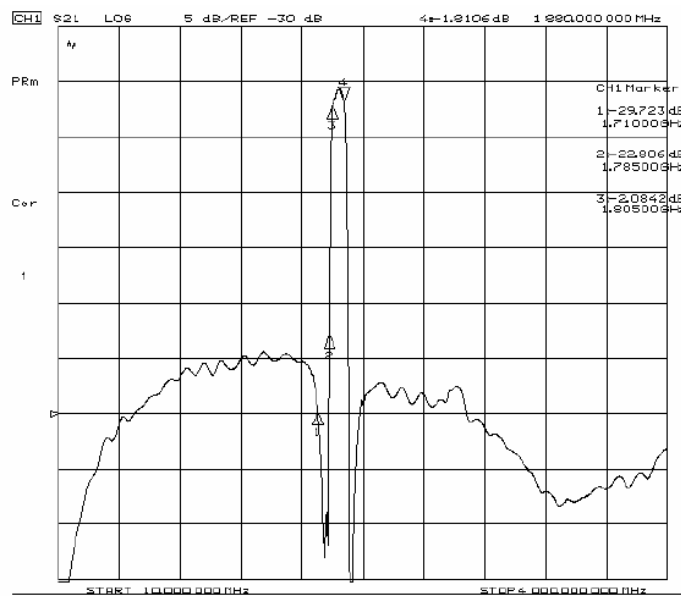
September 25<sup>th</sup>, 2005

**Nominal Frequency Response (Measurements)**

**Frequency Response**



**Frequency Response**





# TMX W313

## SAW Bandpass Filter – DCS1800 Rx - RF

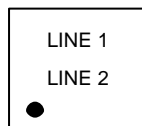
Specification (Rev.2)- RF

September 25<sup>th</sup>, 2005

### Maximum Ratings

Storage Temperature Range	°C	[-50°C ; +100°C]
Operating temperature	°C	[-30°C ; +80°C]
DC voltage	V	0
Input Power	dBm	13

### Marking



Line 1: "NNNN" is the reference to Temex Part number with only the last 4 digits

Line 2: RYWWZZ is the date code as:

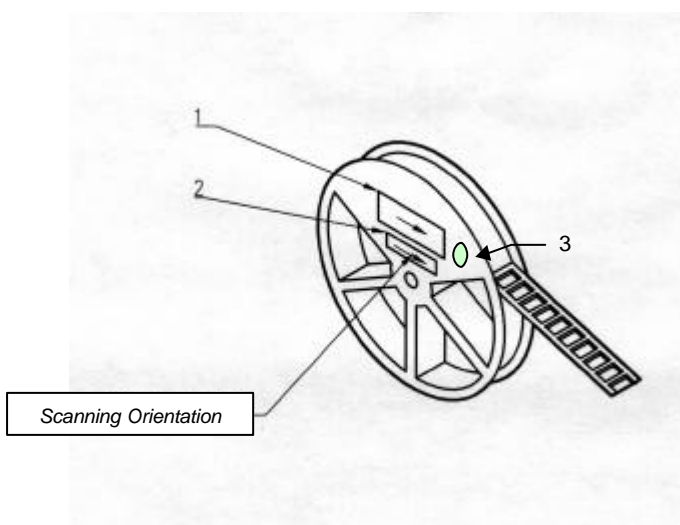
R: Partner identifier.

Y: last digit of the year.

WW: number of week in the year

ZZ: Lot number in the week (from AA to ZZ).

### Packaging



- 1 – Temex Label
- 2 – ESD Prevention Label
- 3 – Pb Free Label