

## SOT-323 Plastic-Encapsulated Diode

**MMBD4148W /BAS16W** SWITCHING DIODE

### FEATURES

Power dissipation

$$P_D: 200 \text{ mW (} T_{amb}=25^\circ\text{C)}$$

Collector current

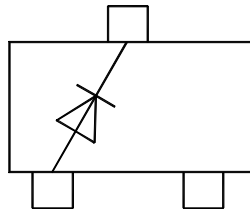
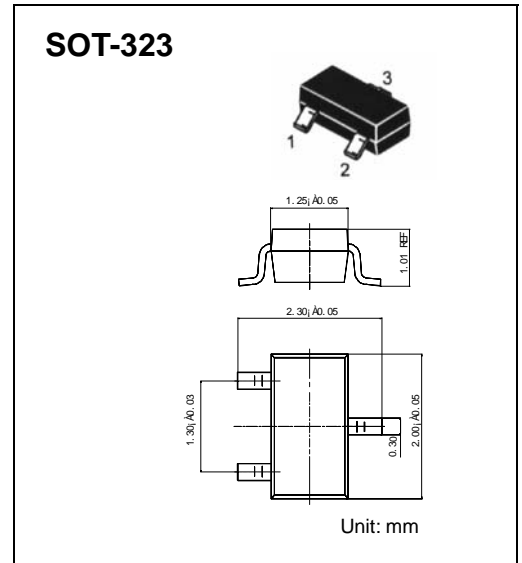
$$I_O: 150 \text{ mA}$$

Collector-base voltage

$$V_R: 75 \text{ V}$$

Operating and storage junction temperature range

$$T_J, T_{stg}: -55^\circ\text{C to } +150^\circ\text{C}$$



Marking: A2, KA2, KT1

### ELECTRICAL CHARACTERISTICS ( $T_{amb}=25^\circ\text{C}$ unless otherwise specified)

Parameter	Symbol	Test conditions	MIN	MAX	UNIT
Reverse breakdown voltage	$V_{(BR)R}$	$I_R=100\mu\text{A}$	75		V
Reverse voltage leakage current	$I_R$	$V_R=75\text{V}$		1	$\mu\text{A}$
Forward voltage	$V_F$	$I_F=1\text{mA}$ $I_F=10\text{mA}$ $I_F=50\text{mA}$ $I_F=150\text{mA}$		0.715 0.855 1 1.25	V
Diode capacitance	$C_D$	$V_R=0\text{V}, f=1\text{MHz}$		2	pF
Reveres recovery time	$t_{rr}$	$I_F=I_R=10\text{mA}$ $I_{rr}=0.1 \times I_R$		4	nS