



Genesys Logic, Inc.

GL811S

**USB 2.0 to ATA/ATAPI
Bridge Controller**

**Datasheet
Revision 1.02
Apr. 13, 2007**



Copyright:

Copyright © 2007 Genesys Logic Incorporated. All rights reserved. No part of the materials may be reproduced in any form or by any means without prior written consent of Genesys Logic, Inc.

Disclaimer:

ALL MATERIALS ARE PROVIDED "AS IS" WITHOUT EXPRESS OR IMPLIED WARRANTY OF ANY KIND. NO LICENSE OR RIGHT IS GRANTED UNDER ANY PATENT OR TRADEMARK OF GENESYS LOGIC INC.. GENESYS LOGIC HEREBY DISCLAIMS ALL WARRANTIES AND CONDITIONS IN REGARD TO MATERIALS, INCLUDING ALL WARRANTIES, IMPLIED OR EXPRESS, OF MERCHANTABILITY, FITNESS FOR ANY PARTICULAR PURPOSE, AND NON-INFRINGEMENT OF INTELLECTUAL PROPERTY. IN NO EVENT SHALL GENESYS LOGIC BE LIABLE FOR ANY DAMAGES INCLUDING, WITHOUT LIMITATION, DAMAGES RESULTING FROM LOSS OF INFORMATION OR PROFITS. PLEASE BE ADVISED THAT THE MATERIALS MAY CONTAIN ERRORS OR OMMISIONS. GENESYS LOGIC MAY MAKE CHANGES TO THE MATERIALS OR TO THE PRODUCTS DESCRIBED THEREIN AT ANY TIME WITHOUT NOTICE.

Trademarks:



is a registered trademark of Genesys Logic, Inc.
All trademarks are the properties of their respective owners.

Office:

Genesys Logic, Inc.

12F, No. 205, Sec. 3, Beishin Rd., Shindian City,

Taipei, Taiwan

Tel: (886-2) 8913-1888

Fax: (886-2) 6629-6168

<http://www.genesyslogic.com>



Revision History

Revision	Date	Description
1.00	03/09/2006	First release
1.01	05/25/2006	Modify GL811S 48 Pin TQFP Package, Figure 7.2, p.37
1.02	04/13/2007	Remove 48Pin TQFP Pinout, p.9 and 48Pin TQFP Dimension, p.35



TABLE OF CONTENTS

CHAPTER 1 GENERAL DESCRIPTION..... 7

CHAPTER 2 FEATURES 8

CHAPTER 3 PIN ASSIGNMENT 9

 3.1 PINOUTS..... 9

 3.2 PIN LIST..... 11

 3.3 PIN DESCRIPTIONS 12

CHAPTER 4 BLOCK DIAGRAM..... 16

CHAPTER 5 FUNCTION DESCRIPTION 17

 5.1 UTM..... 17

 5.2 SIE..... 17

 5.3 EP0/EP3 FIFO 17

 5.4 BULK FIFO 17

 5.5 IDE INTERFACE 17

 5.6 OPERATION REGISTER..... 17

 5.7 SPI INTERFACE 17

CHAPTER 6 ELECTRICAL CHARACTERISTICS..... 18

 6.1 ABSOLUTE MAXIMUM RATINGS 18

 6.2 TEMPERATURE CONDITIONS 18

 6.3 DC CHARACTERISTICS 18

 6.3.1 I/O Type digital pins 18

 6.3.2 D+/ D- 19

 6.3.3 Switching Characteristics..... 19

 6.4 AC CHARACTERISTICS- ATA/ ATAPI 19

 6.4.1 Register Transfers / PIO Data Transfers 21

 6.4.2 Multiword DMA data transfer 23

 6.4.3 Ultra DMA data transfer..... 27

 6.5 AC CHARACTERISTICS - USB 2.0..... 34

CHAPTER 7 PACKAGE DIMENSION..... 35

CHAPTER 8 ORDERING INFORMATION 37

LIST OF FIGURES

FIGURE 3.1 - 48 PIN LQFP PINOUT DIAGRAM.....	9
FIGURE 3.2 - 64 PIN LQFP PINOUT DIAGRAM.....	10
FIGURE 4.1 - BLOCK DIAGRAM	16
FIGURE 6.1 - INITIATING A MULTIWORD DMA DATA BURST.....	24
FIGURE 6.2 - SUSTAINING A MULTIWORD DMA DATA BURST	25
FIGURE 6.3 - DEVICE TERMINATING A MULTIWORD DMA DATA BURST.....	25
FIGURE 6.4 - HOST TERMINATING A MULTIWORD DMA DATA BURST.....	26
FIGURE 6.5 - INITIATING AN ULTRA DMA DATA-IN BURST	28
FIGURE 6.6 - SUSTAINED ULTRA DMA DATA-IN BURST.....	28
FIGURE 6.7 - HOST PAUSING AN ULTRA DMA DATA-IN BURST.....	29
FIGURE 6.8 - DEVICE TERMINATING AN ULTRA DMA DATA-IN BURST	29
FIGURE 6.9 - HOST TERMINATING AN ULTRA DMA DATA-IN BURST.....	30
FIGURE 6.10 - INITIATING AN ULTRA DMA DATA-OUT BURST	31
FIGURE 6.11 - SUSTAINED ULTRA DMA DATA-OUT BURST	31
FIGURE 6.12 - DEVICE PAUSING AN ULTRA DMA DATA-OUT BURST.....	32
FIGURE 6.13 - HOST TERMINATING AN ULTRA DMA DATA-OUT BURST	33
FIGURE 6.14 - DEVICE TERMINATING AN ULTRA DMA DATA-OUT BURST.....	34
FIGURE 7.1 – GL811S 48 PIN LQFP PACKAGE.....	35
FIGURE 7.2 – GL811S 64 PIN LQFP PACKAGE.....	36



LIST OF TABLES

TABLE 3.1 - 48 PIN LIST	11
TABLE 3.2 - 64 PIN LIST.....	11
TABLE 3.3 – 48 PIN DESCRIPTIONS.....	12
TABLE 3.4 - 64 PIN DESCRIPTIONS	13
TABLE 6.1 - MAXIMUM RATINGS	18
TABLE 6.2 - TEMPERATURE CONDITIONS	18
TABLE 6.3 - I/O TYPE DIGITAL PINS	18
TABLE 6.4 - D+/ D-.....	19
TABLE 6.5 - SWITCHING CHARACTERISTICS	19
TABLE 6.5 - ULTRA DMA DATA BURST TIMING REQUIREMENTS	27
TABLE 8.1 - ORDERING INFORMATION	37



CHAPTER 1 GENERAL DESCRIPTION

The GL811S is a highly-compatible, low cost USB 2.0 to ATA / ATAPI bridge controller, which integrates Genesys Logic own design high speed UTMI (USB 2.0 Transceiver Macrocell Interface) transceiver.

As a one-chip solution which complies with Universal Serial Bus specification rev. 2.0 and ATA / ATAPI-6 specification rev 1.0, the GL811S can support various kinds of ATA / ATAPI device. There are totally 4 endpoints in the GL811S controller, Control (0), Bulk In (1), Bulk Out (2), and Interrupt (3). By complies with the USB Storage Class specification ver.1.0 (Bulk only protocol), the GL811S can support not only plug and play but also Windows XP/ 2000/ ME default driver.

The GL811S uses 12MHz crystal and slew-rate controlled pads to reduce the EMI issue. With 48-pin LQFP (7mmX7mm) package, the GL811S is the best cost/ performance solution to fit different situations in the USB 2.0 high speed storage class applications such as Hard Disk, CD-ROM, CD-R / RW and DVD-ROM.



CHAPTER 2 FEATURES

- Complies with Universal Serial Bus specification rev. 2.0.
- Complies with ATA/ATAPI-6 specification rev 1.0.
- Complies with USB Storage Class specification ver.1.0. (Bulk only protocol)
- Operating system supported: Win XP / 2000 / Me / 98 / 98SE; Mac OS 9.X / 10.X.
- Integrated USB 2.0 Transceiver Macrocell Interface (UTMI) transceiver and Serial Interface Engine (SIE).
- Support 4 endpoints: Control (0) / Bulk Read (1) / Bulk Write (2) / Interrupt (3).
- 64 / 512 bytes Data Payload for full / high speed Bulk Endpoint.
- Support 16-bit Multiword DMA mode and Ultra DMA mode interface (Ultra 33 / 66).
- Embedded Turbo 8051.
- ROM size: 12k words; RAM size: 1280 bytes. (Bulk Buffer: 512 words, MC RAM: 256 bytes)
- Supports Power Down mode and USB suspend indicator.
- Supports USB 2.0 TEST mode features.
- Supports 4 GPIOs for programmable AP (48 pin package).
- Supports 8 GPIOs for programmable AP (64 pin package).
- Supports device power control for power on/off when running suspend mode.
- Supports 32 bit and 48 bit LBA hard disk.
- Provides LED indicator for Full Speed and High Speed (only for 64 pin package).
- Using 12 MHz external clock to provide better EMI.
- 3.3V I/Os (5V tolerant) 5V tolerance pad for IDE interface.
- Operates at 5V voltage (built-in 5V to 3.3V & 3.3V to 1.8V regulator)
- Supports Wakeup ability.
- Available in 48-pin/64-pin LQFP package types.
- Provides SPI interface (only for 64 pin package).
- Provides UART interface (only for 64 pin package).

CHAPTER 3 PIN ASSIGNMENT

3.1 Pinouts

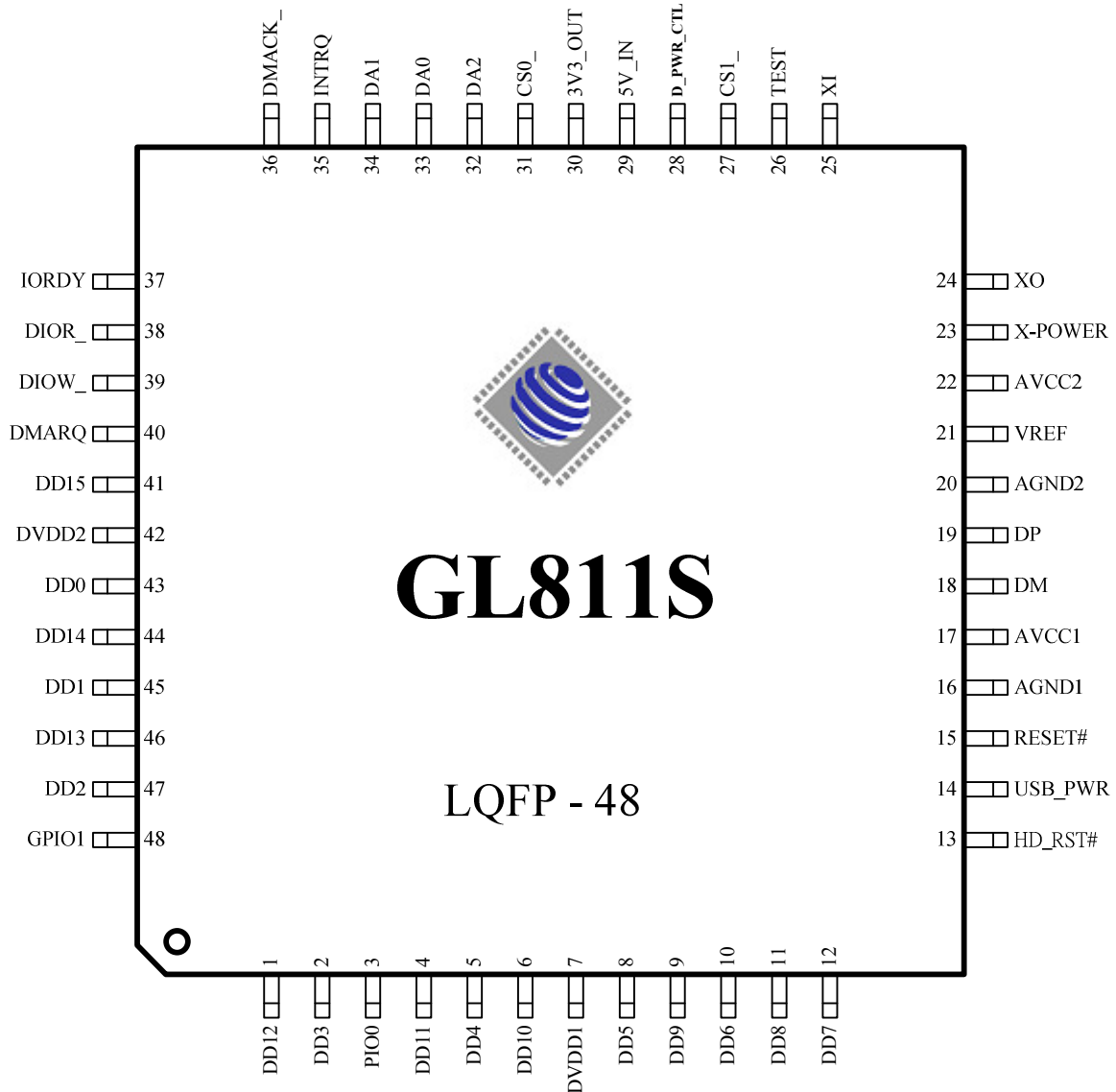


Figure 3.1 - 48 Pin LQFP Pinout Diagram

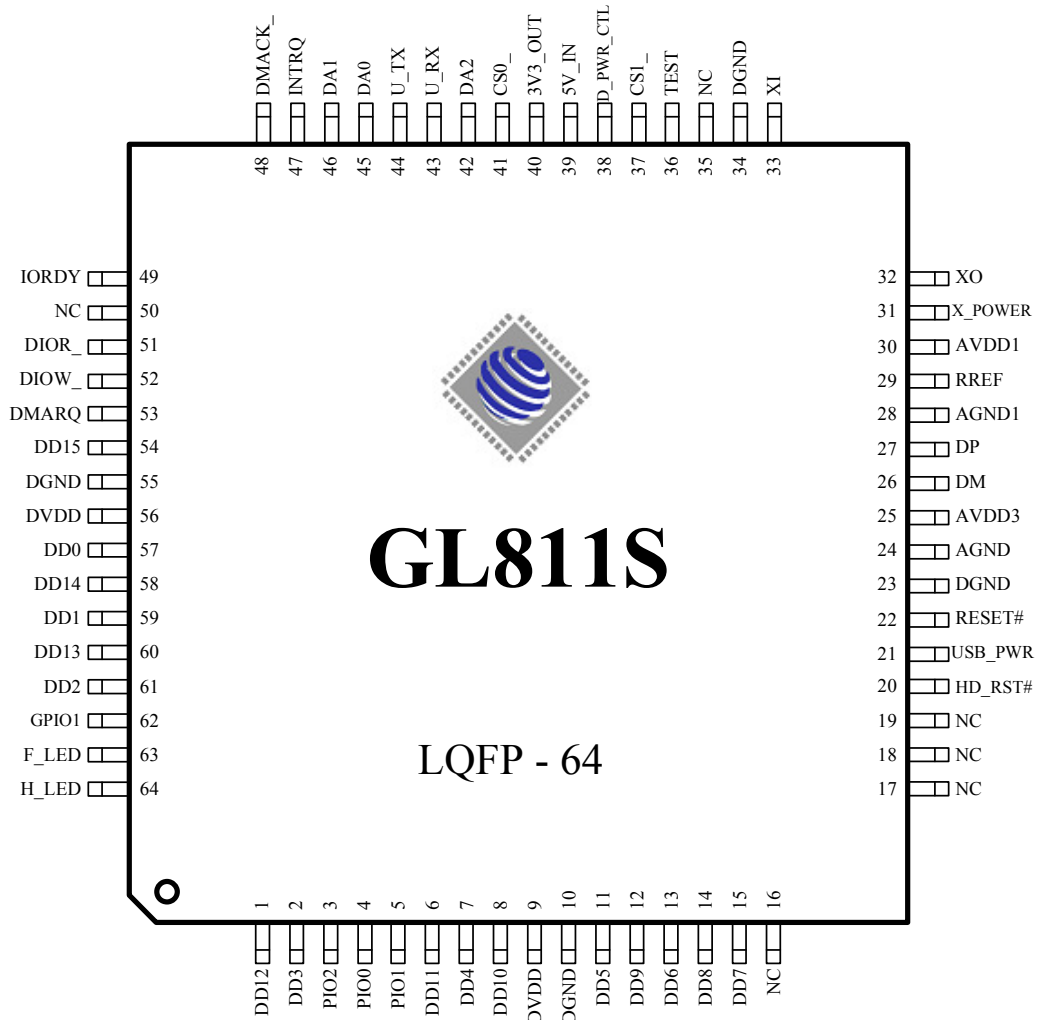


Figure 3.2 - 64 Pin LQFP Pinout Diagram



3.2 Pin List

Table 3.1 - 48 Pin List

Pin#	Pin Name	Type	Pin#	Pin Name	Type	Pin#	Pin Name	Type	Pin#	Pin Name	Type
1	DD12	B	13	HD_RST#	O	25	XI	I	37	IORDY	I
2	DD3	B	14	USB_PWR	B	26	TEST	I	38	DIOR_	O
3	PIO0	B	15	RESET#	I	27	CS1_	O	39	DIOW_	O
4	DD11	B	16	AGND1	P	28	D_PWR_CTL	B	40	DMARQ	I
5	DD4	B	17	AVDD1	P	29	5V_IN	P	41	DD15	B
6	DD10	B	18	DM	B	30	3V3_OUT	P	42	DVDD	P
7	DVDD1	P	19	DP	B	31	CS0_	O	43	DD0	B
8	DD5	B	20	AGND2	P	32	DA2	O	44	DD14	B
9	DD9	B	21	VREF	A	33	DA0	O	45	DD1	B
10	DD6	B	22	AVCC2	P	34	DA1	O	46	DD13	B
11	DD8	B	23	X-POWER	P	35	INTRQ	I	47	DD2	B
12	DD7	B	24	XO	B	36	DMACK_	O	48	GPIO1	B

Table 3.2 - 64 Pin List

Pin#	Pin Name	Type	Pin#	Pin Name	Type	Pin#	Pin Name	Type	Pin#	Pin Name	Type
1	DD12	B	17	NC		33	XI	I	49	IORDY	I
2	DD3	B	18	NC		34	DGND	P	50	NC	
3	PIO2	B	19	NC		35	NC		51	DIOR_	O
4	PIO0	B	20	HD_RST#	O	36	TEST	I	52	DIOW_	O
5	PIO1	B	21	USB_PWR	B	37	CS1_	O	53	DMARQ	I
6	DD11	B	22	RESET#	I	38	D_PWR_CTL	B	54	DD15	B
7	DD4	B	23	DGND	P	39	5V_IN	P	55	DGND	P
8	DD10	B	24	AGND	P	40	DVDD	P	56	DVDD	P
9	DVDD	P	25	AVDD3	P	41	CS0_	O	57	DD0	B
10	DGND	P	26	DM	B	42	DA2	O	58	DD14	B
11	DD5	B	27	DP	B	43	U_RX	B	59	DD1	B
12	DD9	B	28	AGND1	P	44	U_TX	O	60	DD13	B
13	DD6	B	29	RREF	A	45	DA0	O	61	DD2	B
14	DD8	B	30	AVDD1	P	46	DA1	O	62	GPIO 1	B



15	DD7	B	31	X_POWER	P	47	INTRQ	I	63	F_LED	B
16	NC		32	XO	B	48	DMACK_	O	64	H_LED	B

3.3 Pin Descriptions

Table 3.3 – 48 Pin Descriptions

USB Interface			
Pin Name	Pin#	Type	Description
VREF	21	A	Reference Resistor
DM	18	B	HS D-
DP	19	B	HS D+
XO	24	B	Crystal output
XI	25	I	Crystal input
RESET#	15	I (pu)	External reset
TEST	26	I (pd)	Test mode Input

ATA/ATAPI Interface			
Pin Name	Pin#	Type	Description
DD0~15	43,45,47,2,5,8,10,12,11,9,6,4,1,46,44,41	B (pd)	IDE Data Bus
HD_RST#	13	O	Device Reset
CS1_, CS0_	27,31	O	Chip Select #1,#0
DA0~2	33,34,32	O	IDE Address #2,#1,#0
INTRQ	35	I (pd)	IDE interrupt input
DMACK_	36	O	IDE Acknowledge
IORDY	37	I (pu)	IDE Ready
DIOR_	38	O	IDE read signal
DIOW_	39	O	IDE write signal
DMARQ	40	I (pd)	IDE request

Miscellaneous Interface			
Pin Name	Pin#	Type	Description
GPIO 1	48	B (pu)	GPIO
PIO0	3	B (pd)	GPIO

Power / Ground			
Pin Name	Pin#	Type	Description
5V_IN	29	P	5V input
DVDD1,X-POWER,3V3_OUT, DVDD2	7,23,30,42	P	Digital VDD
AGND1	16	P	Analog GND
AGND2	20	P	Analog GND #1
AVCC1	17	P	Analog VDD #3
AVCC2	22	P	Analog VDD #1

Miscellaneous			
Pin Name	Pin#	Type	Description
USB_PWR	14	B (pu)	USB power detect
D_PWR_CTL	28	B (pd)	HDD power control

Table 3.4 - 64 Pin Descriptions

USB Interface			
Pin Name	Pin#	Type	Description
RREF	29	A	Reference Resistor
DM	26	B	HS D-
DP	27	B	HS D+
XO	32	B	Crystal output
XI	33	I	Crystal input
RESET#	22	I (pu)	External reset
TEST	36	I (pd)	Test mode Input

ATA/ATAPI Interface			
Pin Name	Pin#	Type	Description
DD0~15	57,59,61,2,7,11,13,15,14,12,8,6,1,60,58,54	B (pd)	IDE Data Bus
HD_RST#	20	O	Device Reset
CS1_, CS0_	37,41	O	Chip Select #1,#0
DA0~2	45,46,42	O	IDE Address #2,#1,#0
INTRQ	47	I (pd)	IDE interrupt input
DMACK_	48	O	IDE Acknowledge
IORDY	49	I (pu)	IDE Ready
DIOR_	51	O	IDE read signal
DIOW_	52	O	IDE write signal
DMARQ	53	I (pd)	IDE request

Miscellaneous Interface			
Pin Name	Pin#	Type	Description
GOPI 1	62	B (pu)	General Purpose IO #1
PIO 0	4	B (pd)	Program IO #0
PIO 1	5	B (pd)	Program IO #1 becomes SPIDI when SPI interface is enabled (SPIDI : SPI Data Input)
PIO 2	3	B (pd)	Program I/O #2 becomes SPIDO when SPI interface is enabled (SPIDO : SPI Data Output)
U_RX	43	B (pu)	UART RXD
U_TX	44	O	UART TXD

Power / Ground			
Pin Name	Pin#	Type	Description
5V_IN	39	P	5V input
DGND	10,23,34,55	P	Digital GND
DVDD	9,31,40,56	P	Digital VDD
AGND	24	P	Analog GND
AGND1	28	P	Analog GND #1
AVDD3	25	P	Analog VDD #3



AVDD1	30	P	Analog VDD #1
-------	----	---	---------------

Miscellaneous			
Pin Name	Pin#	Type	Description
USB_PWR	21	B (pu)	USB power detect
F_LED	63	B (pu)	Operation mode indicator (Full-Speed)
H_LED	64	B (pu)	Operation mode indicator (High-Speed)
D_PWR_CTL	38	B (pd)	HDD power control

Notation:

Type	O	Output
	I	Input
	B	Bi-directional
	B/I	Bi-directional, default input
	B/O	Bi-directional, default output
	P	Power / Ground
	A	Analog
	SO	Automatic output low when suspend
	pu	Internal pull up
	pd	Internal pull down
	odpu	Open drain with internal pull up

CHAPTER 4 BLOCK DIAGRAM

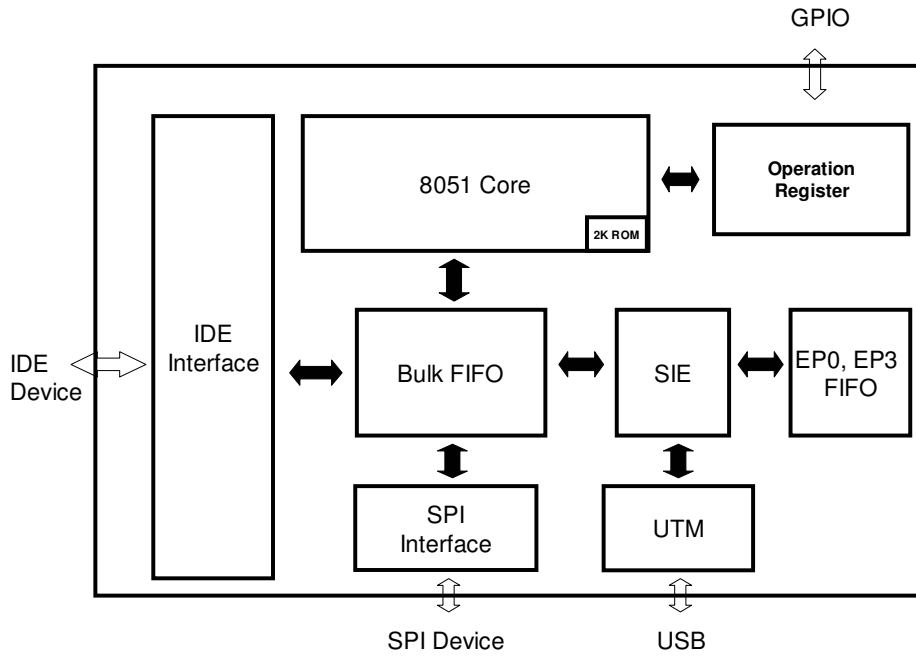


Figure 4.1 - Block Diagram



CHAPTER 5 FUNCTION DESCRIPTION

5.1 UTM

The USB 2.0 Transceiver Macrocell, it's the analog circuitry that handles the low level USB protocol and signaling, and shifts the clock domain of the data from the USB 2.0 rate to one that is compatible with the general logic.

5.2 SIE

The Serial Interface Engine, which contains the USB PID and address recognition logic, and other sequencing and state machine logic to handle USB packets and transactions.

5.3 EP0/EP3 FIFO

Endpoint 0/3 FIFO: The Control and Interrupt FIFO. It is composed of TX03FIFO and RX03FIFO, with 64-byte FIFO each, and it is used for endpoint 0/3 data transfer.

5.4 Bulk FIFO

It is constructed in interleaved architecture and composed by two data buffers which is used to store data transferred between USB host and IDE device.

5.5 IDE Interface

The IDE engine is extended from standard ATA / ATAPI protocol. It supports multiword DMA mode, and ultra DMA mode data transfers.

5.6 Operation Register

It is a register space to store status information and to control the functions of GL811S by 8051.

5.7 SPI Interface

The Serial Peripheral Interface is a serial, synchronous communication protocol. It is compatible with Motorola's SPI specifications.

CHAPTER 6 ELECTRICAL CHARACTERISTICS

6.1 Absolute Maximum Ratings

Table 6.1 - Maximum Ratings

Symbol	Parameter	Min.	Max.	Unit
V _{CC}	DC supply voltage	+3.0	+3.6	V
V _I	DC input voltage	-0.3	V _{CC} + 0.3	V
V _{I/O}	DC input voltage range for I/O	-0.3	V _{CC} + 0.3	V
V _{A/I/O}	DC input voltage for USB D+/D- pins	-0.3	V _{CC} + 0.3	V
V _{ESD}	Static discharge voltage	4000		V
T _A	Ambient Temperature	0	100	°C

6.2 Temperature Conditions

Table 6.2 - Temperature Conditions

Item	Value
Storage Temperature	-50°C ~ 150°C
Operating Temperature	0°C ~ 70°C

6.3 DC Characteristics

6.3.1 I/O Type digital pins

Table 6.3 - I/O Type digital pins

Parameter	Min.	Typ.	Max.	Unit
Current sink @ V _{OL} = 0.4V	10.58	14.21	16.87	mA
Current output @ V _{OH} = 2.4V (TTL high)	14.74	27.46	43.0	mA
Falling slew rate at 30 pF loading capacitance	0.56	0.91	1.28	V/ns
Rising slew rate at 30 pF loading capacitance	0.58	0.91	1.72	V/ns
Schmitt trigger low to high threshold point	1.4	1.5	1.6	V
Schmitt trigger low to high threshold point	1.4	1.5	1.6	V
Pad internal pull up resister	37.87K	64.7K	108.11K	Ohms
Pad internal pull down resister	29.85K	59.45K	134.26K	Ohms

6.3.2 D+/ D-

Table 6.4 - D+/ D-

Parameter	Min.	Typ.	Max.	Unit
D+/D- static output LOW (R_L of 1.5K to V_{CC})	0		0.3	V
D+/D- static output HIGH (R_L of 15K to GND)	2.8		3.6	V
Differential input sensitivity	0.2			V
Single-ended receiver threshold	0.8		2.0	V
Transceiver capacitance			20	pF
Hi-Z state data line leakage	-10		+10	μ A
Driver output resistance	28		43	Ohms

6.3.3 Switching Characteristics

Table 6.5 - Switching Characteristics

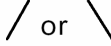
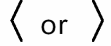


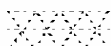

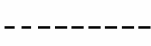
Parameter	Min.	Typ.	Max.	Unit
X1 crystal frequency	11.97	12	12.03	MHz
X1 cycle time		83.3		ns
D+/D- rise time with 50pF loading	4		20	ns
D+/D- fall time with 50pF loading	4		20	ns

6.4 AC Characteristics- ATA/ ATAPI

The GL811S complies with ATA / ATAPI-6 specification rev 1.0, which supports following data transfer modes:

1. DMA (Direct Memory Access) data transfer:
 DMA data transfer means of data transfer between device and host memory without host processor intervention.
 - Multiword DMA: Multiword DMA is a data transfer protocol used with the READ DMA, WRITE DMA, READ DMA QUEUED, WRITE DMA QUEUED and PACKET commands. When a Multiword DMA transfer is enabled as indicated by IDENTIFY DEVICE or IDENTIFY PACKET DEVICE data, this data transfer protocol shall be used for the data transfers associated with these commands. (Please refer to the ATA / ATAPI-6 specification rev 1.0 for more information.)
 - Ultra DMA: Ultra DMA Is a data transfer protocol used with the READ DMA, WRITE DMA, READ DMA QUEUED, WRITE DMA QUEUED and PACKET commands. When this protocol is enabled, the Ultra DMA protocol shall be used instead of the Multiword DMA protocol when these commands are issued by the host. This protocol applies to the Ultra DMA data burst only. (Please refer to the ATA / ATAPI-6 specification rev 1.0 for more information.)

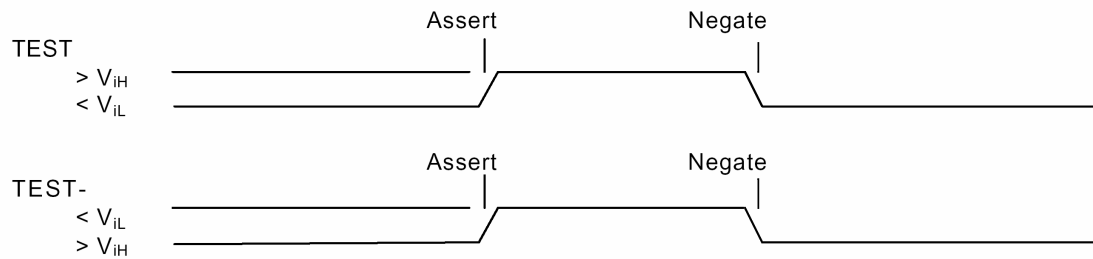
Following listed the symbols and their respective definitions that are used in the timing diagram:

	- Signal transition (asserted or negated)
	- Data transition (asserted or negated)
	- Data valid
	- Undefined but not necessarily released
	- Asserted, negated or released
	- Released
	- The "other" condition if a signal is shown with no change

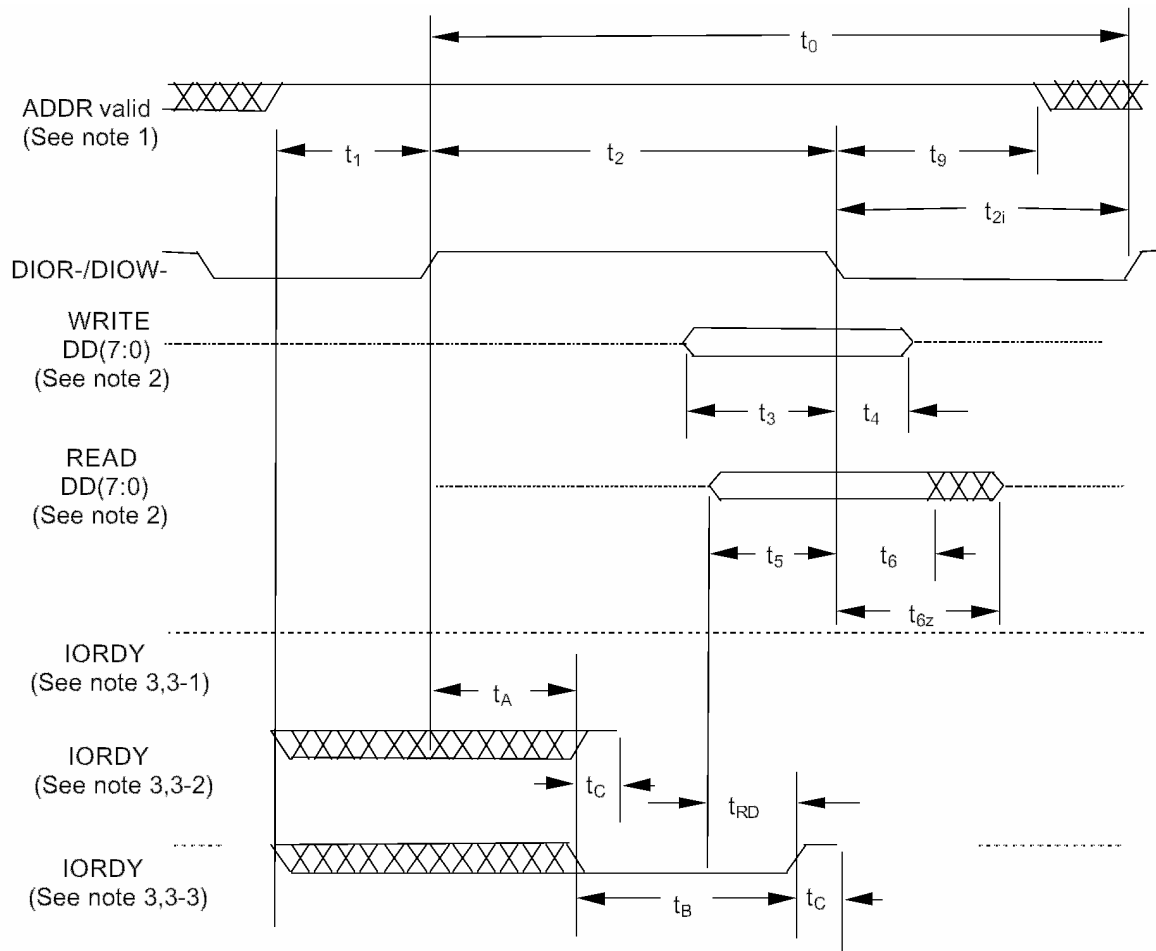
All signals are shown with the asserted condition facing to the top of the page. The negated condition is shown towards the bottom of the page relative to the asserted condition.

The interface uses a mixture of negative and positive signals for control and data. The terms asserted and negated are used for consistency and are independent of electrical characteristics.

In all timing diagrams, the lower line indicates negated, and the upper line indicates asserted. The following illustrates the representation of a signal named Test going from negated to asserted and back to negated, based on the polarity of the signal.



6.4.1 Register Transfers / PIO Data Transfers



Notes:

1. Device address consists of signals CS0_, CS1_ and DA(2:0).
2. Data consists of IODD(7:0).
3. The negation of IORDY by the device is used to extend the register transfer cycle. The determination of whether the cycle is to be extended is made by the host after t_A from the assertion of DIOR_ or DIOW_. The assertion and negation of IORDY are described as following:
 - 3.1 Device never negates IORDY, devices keeps IORDY released: no wait is generated.
 - 3.2 Device negates IORDY before t_A , but causes IORDY to be asserted before t_A . IORDY is released prior to negation and may be asserted for no more than 5 ns before release: no wait generated.
 - 3.3 Device negates IORDY before t_A , IORDY is released prior to negation and may be asserted for no more than 5 ns before release: wait generated. The cycle completes after IORDY is released. For cycles where a wait is generated and DIOR_ is asserted, the device shall read data on IODD(0:7) for t_{RD} before asserting IORDY.
4. DMACK_ shall remain negated during a register transfer.



GL811S USB2.0 to ATA/ATAPI Bridge Controller

Register transfer timing parameters		Mode 0 ns	Mode 1 ns	Mode 2 ns	Mode 3 ns	Mode 4 ns	Note
t_0	Cycle time (min)	600	383	330	180	120	1,4,5
t_1	Address valid to DIOR-/DIOW- setup (min)	70	50	30	30	25	
t_2	DIOR-/DIOW- pulse width 8-bit (min)	290	290	290	80	70	1
$t_{2\bar{}}$	DIOR-/DIOW- recovery time (min)	-	-	-	70	25	1
t_3	DIOW- data setup (min)	60	45	30	30	20	
t_4	DIOW- data hold (min)	30	20	15	10	10	
t_5	DIOR- data setup (min)	50	35	20	20	20	
t_6	DIOR- data hold (min)	5	5	5	5	5	
$t_{6\bar{}}$	DIOR- data release (max)	30	30	30	30	30	2
t_9	DIOR-/DIOW- to address valid hold (min)	20	15	10	10	10	
t_{RD}	Read Data Valid to IORDY active (if IORDY initially low after t_A) (min)	0	0	0	0	0	
t_A	IORDY Setup time	35	35	35	35	35	3
t_B	IORDY Pulse Width (max)	1250	1250	1250	1250	1250	
t_C	IORDY assertion to release (max)	5	5	5	5	5	

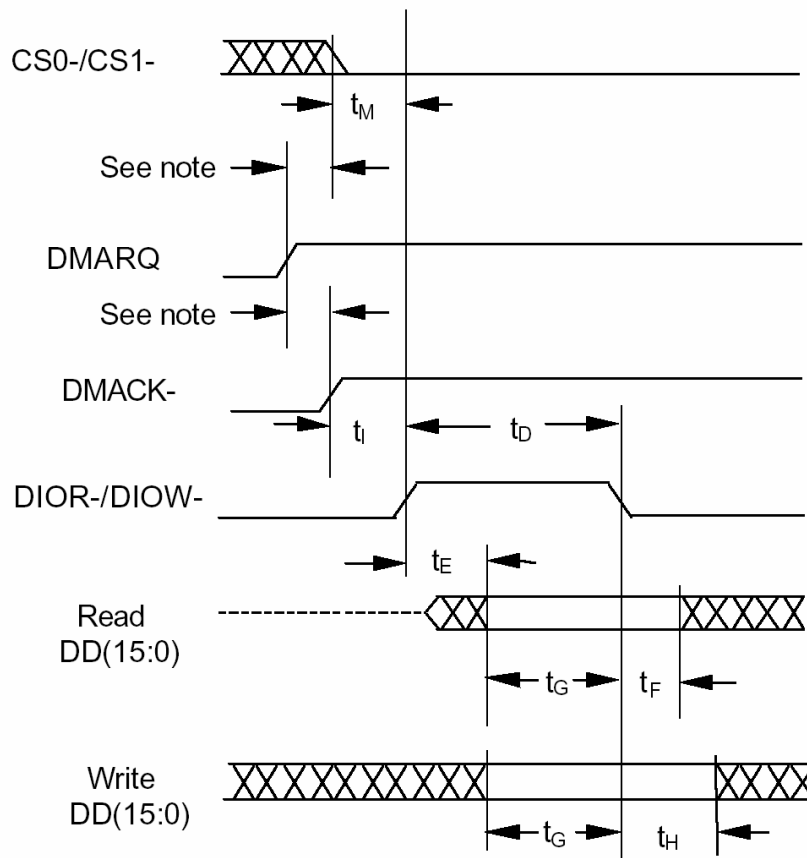
NOTES -

- 1 t_0 is the minimum total cycle time, t_2 is the minimum DIOR-/DIOW- assertion time, and $t_{\bar{2}}$ is the minimum DIOR-/DIOW- negation time. A host implementation shall lengthen $t_{\bar{2}}$ and/or t_2 to ensure that t_0 is equal to or greater than the value reported in the devices IDENTIFY DEVICE data. A device implementation shall support any legal host implementation.
- 2 This parameter specifies the time from the negation edge of DIOR- to the time that the data bus is released by the device.
- 3 The delay from the activation of DIOR- or DIOW- until the state of IORDY is first sampled. If IORDY is inactive then the host shall wait until IORDY is active before the register transfer cycle is completed. If the device is not driving IORDY negated at the t_A after the activation of DIOR- or DIOW-, then t_5 shall be met and t_{RD} is not applicable. If the device is driving IORDY negated at the time t_A after the activation of DIOR- or DIOW-, then t_{RD} shall be met and t_5 is not applicable.
- 4 ATA/ATAPI standards prior to ATA/ATAPI-5 inadvertently specified an incorrect value for mode 2 time t_5 by utilizing the 16-bit PIO value
- 5 Mode shall be selected no higher than the highest mode supported by the slowest device.

6.4.2 Multiword DMA data transfer

Multiword DMA timing parameters		Mode 0 ns	Mode 1 ns	Mode 2 ns	Note
t_0	Cycle time (min)	480	150	120	see note
t_D	DIOR-/DIOW- asserted pulse width (min)	215	80	70	see note
t_E	DIOR- data access (max)	150	60	50	
t_F	DIOR- data hold (min)	5	5	5	
t_G	DIOR-/DIOW- data setup (min)	100	30	20	
t_H	DIOW- data hold (min)	20	15	10	
t_I	DMACK to DIOR-/DIOW- setup (min)	0	0	0	
t_J	DIOR-/DIOW- to DMACK hold (min)	20	5	5	
t_{KR}	DIOR- negated pulse width (min)	50	50	25	see note
t_{KW}	DIOW- negated pulse width (min)	215	50	25	see note
t_{LR}	DIOR- to DMARQ delay (max)	120	40	35	
t_{LW}	DIOW- to DMARQ delay (max)	40	40	35	
t_M	CS(1:0) valid to DIOR-/DIOW- (min)	50	30	25	
t_N	CS(1:0) hold (min)	15	10	10	
t_Z	DMACK- to read data released (max)	20	25	25	

NOTE – t_0 is the minimum total cycle time, t_D is the minimum DIOR-/DIOW- assertion time, and t_k (t_{KR} or t_{KW} , as appropriate) is the minimum DIOR-/DIOW- negation time. A host shall lengthen t_D and/or t_k to ensure that t_0 is equal to the value reported in the devices IDENTIFY DEVICE data.



Note:

The host shall not assert DMACK_ or negate both CS0_ and CS1_ until the assertion of DMARQ is detected. The maximum time from the assertion of DMARQ to the assertion of DMACK_ or the negation of both CS0_ and CS1_ is not defined.

Figure 6.1 - Initiating a Multiword DMA Data Burst

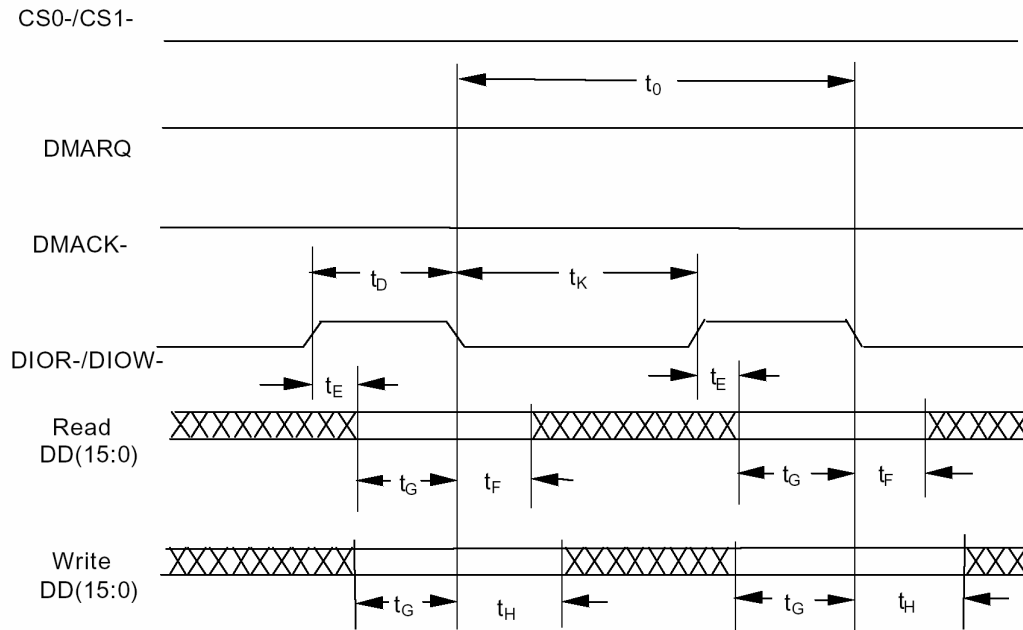
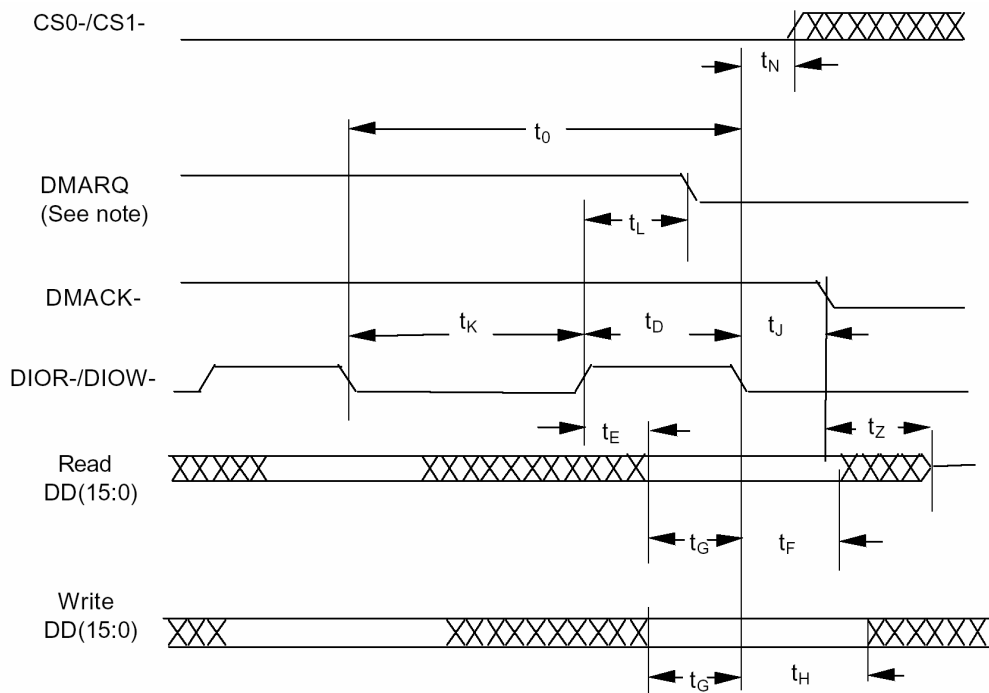


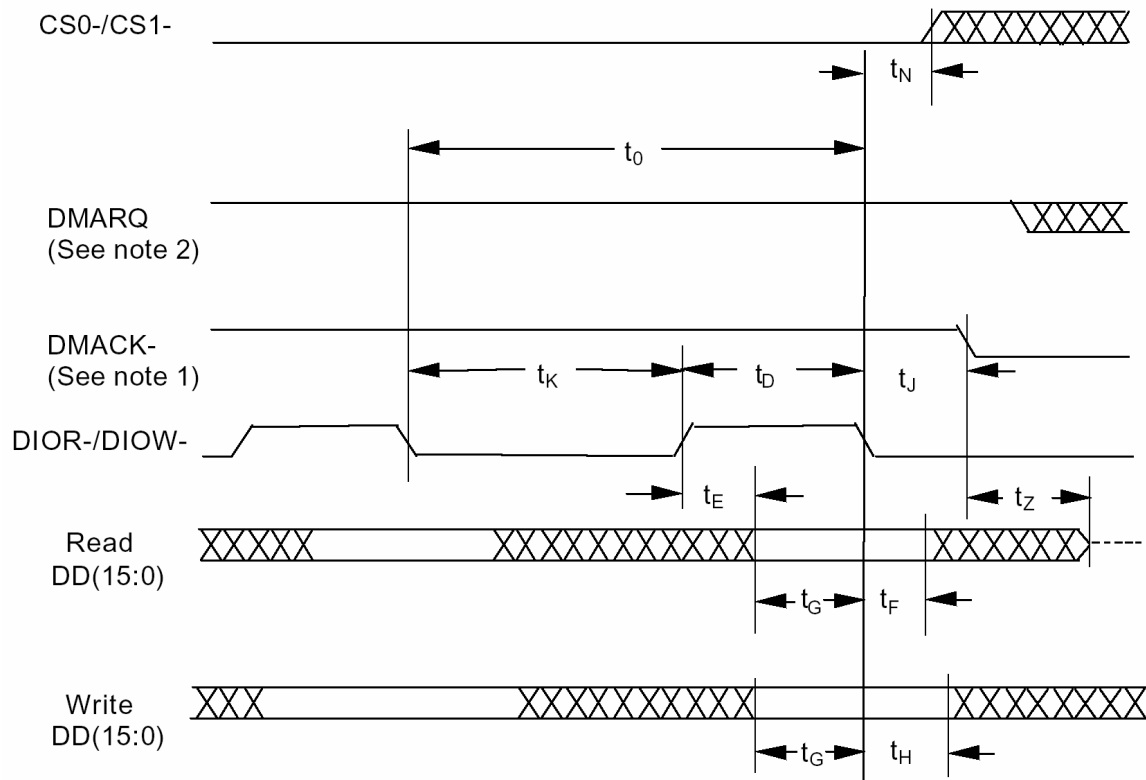
Figure 6.2 - Sustaining a Multiword DMA Data Burst



Note:

To terminate the data burst, the Device shall negate DMARQ within the t_L of the assertion of the current DIOR_ or DIOW_ pulse. The last data word for the burst shall then be transferred by the negation of the current DIOR_ or DIOW_ pulse. If all data for the command has not been transferred, the device shall reassert DMARQ again at any later time to resume the DMA operation.

Figure 6.3 - Device Terminating a Multiword DMA Data Burst



Note:

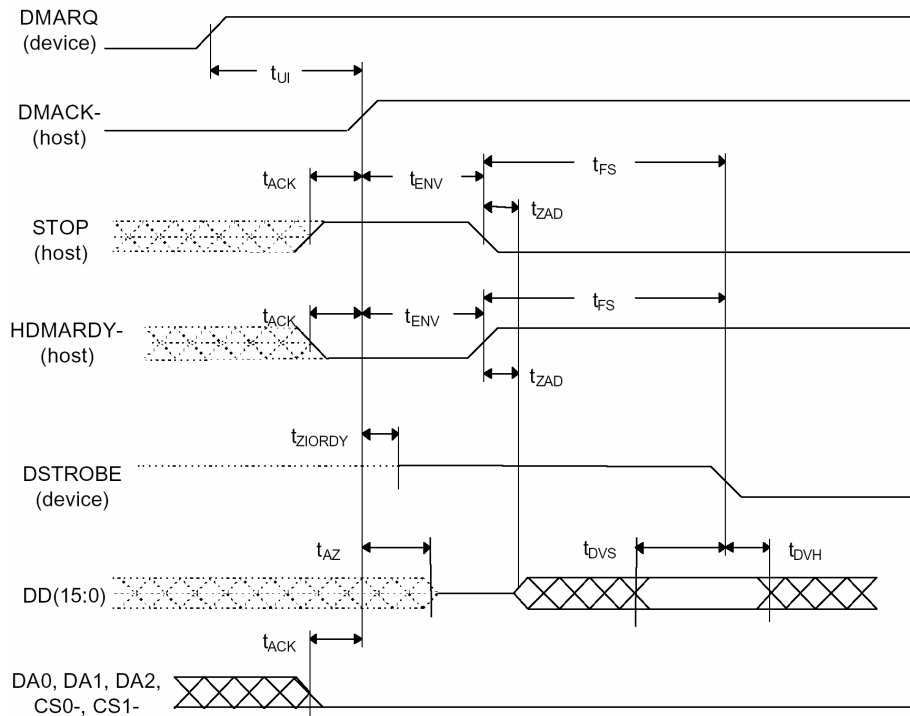
1. To terminate the transmission of a data burst, the Host shall negate DMACK_ within the specified time after a DIOR_ or DIOW_ pulse. No further DIOR_ or DIOW_ pulses shall be asserted for this burst.
2. If the device is able to continue the transfer of data, the device may leave DMARQ asserted and wait for the host to reassert DMACK_ or may negate DMARQ at any time after detecting that DMACK_ has been negated.

Figure 6.4 - Host terminating a Multiword DMA Data Burst

6.4.3 Ultra DMA data transfer

Table 6.5 - Ultra DMA data burst timing requirements

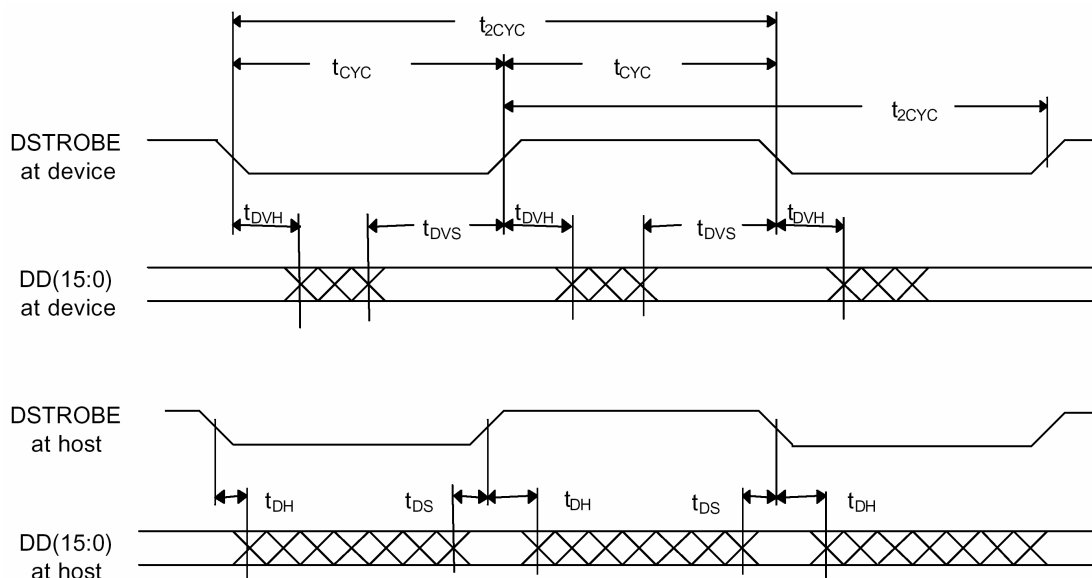
Name	Mode 0 (in ns)		Mode 1 (in ns)		Mode 2 (in ns)		Mode 3 (in ns)		Mode 4 (in ns)		Comment
	min	max	min	max	min	max	min	max	Min	max	
t _{2CYCTYP}	240		160		120		90		60		Typical sustained average two cycle time
t _{CYC}	112		73		54		39		25		Cycle time allowing for asymmetry and clock variations
t _{2CYC}	230		154		115		86		57		Two cycle time allowing for clock variations
t _{DS}	15		10		7		7		5		Data setup time at recipient
t _{DH}	5		5		5		5		5		Data hold time at recipient
t _{DVS}	70		48		30		20		6		Data valid setup time at sender
t _{DVH}	6		6		6		6		6		Data valid hold time at sender
t _{FS}	0	230	0	200	0	170	0	130	0	120	First STORBE time
t _{LI}	0	150	0	150	0	150	0	100	0	100	Limited interlock time
t _{MLI}	20		20		20		20		20		Interlock time with minimum
t _{UI}	0		0		0		0		0		Unlimited interlock time
t _{AZ}		10		10		10		10		10	Maximum time allowed for output drivers to release
t _{ZAH}	20		20		20		20		20		Minimum delay time required for output
t _{ZAD}	0		0		0		0		0		Drivers to assert or negate
t _{ENV}	20	70	20	70	20	70	20	55	20	55	Envelope time
t _{SR}		50		30		20		NA		NA	STROBE to DMARDY_ time
t _{RFS}		75		70		60		60		60	Ready to final STROBE time
t _{RP}	160		125		100		100		100		Minimum time to assert STOP or negate DMARQ
t _{IORDYZ}		20		20		20		20		20	Maximum time before releasing IORDY
t _{ZIORDY}	0		0		0		0		0		Minimum time before driving STROBE
t _{ACK}	20		20		20		20		20		Setup and hold times for DMACK_
t _{SS}	50		50		50		50		50		Time from STROBE edge to negation of DMARQ or assertion of STOP



Notes:

The definitions for the $DIOW_STOP$, $DIOR_HDMARDY_HSTROBE$ and $IORDY_DDMARDY_DSTROBE$ signal lines are not in efficient until $DMARQ$ and $DMACK$ are asserted.

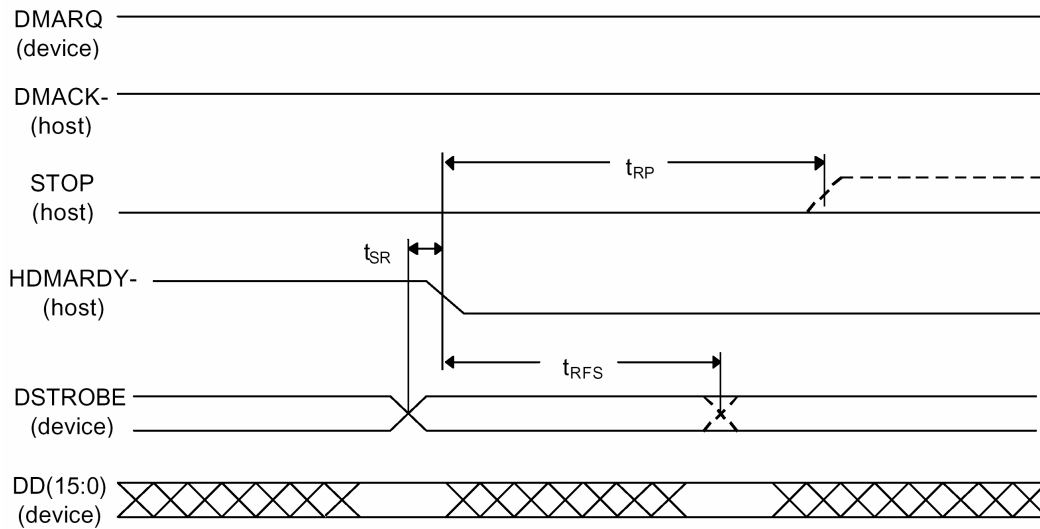
Figure 6.5 - Initiating an Ultra DMA Data-In Burst



Notes:

$IODD(15:0)$ and $DSTROBE$ signals are shown at both the host and the device to emphasize that cable settling time as well as cable propagation delay shall not allow the data signals to be considered stable at the host until some time after they are driven by the device.

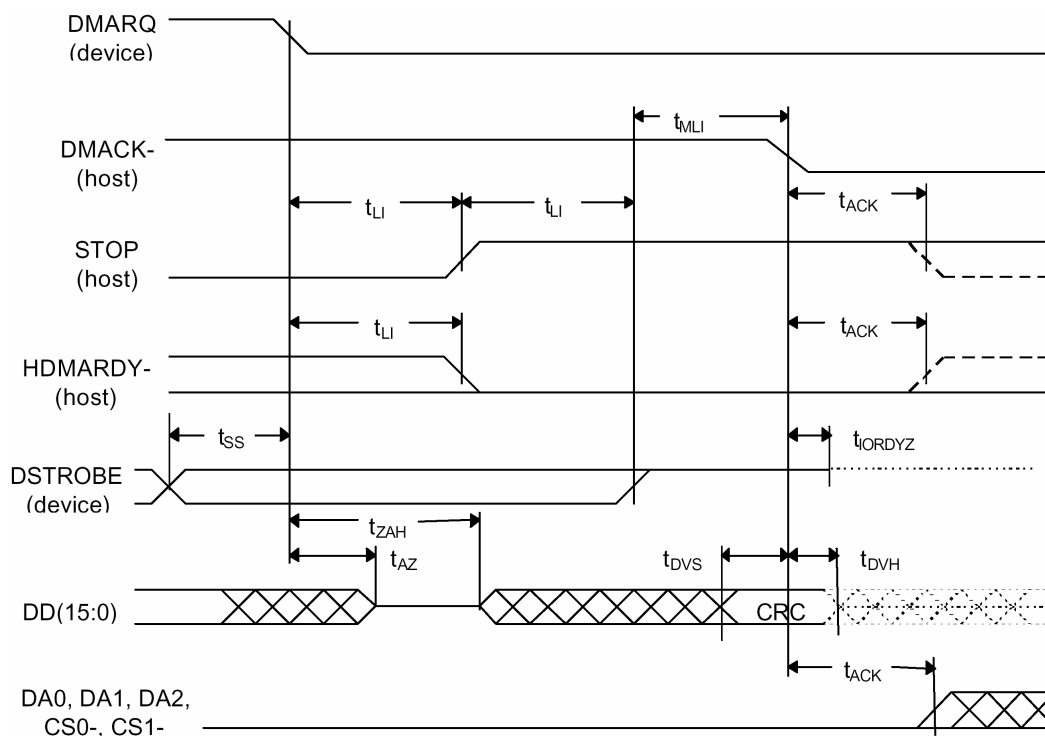
Figure 6.6 - Sustained Ultra DMA Data-In Burst



Notes:

1. The host may assert STOP to request termination of the Ultra DMA burst no sooner than t_{RP} after HDMARDY_ is negated.
2. If the t_{SR} timing is not satisfied, the host may receive zero, one, or two more data words from the device.

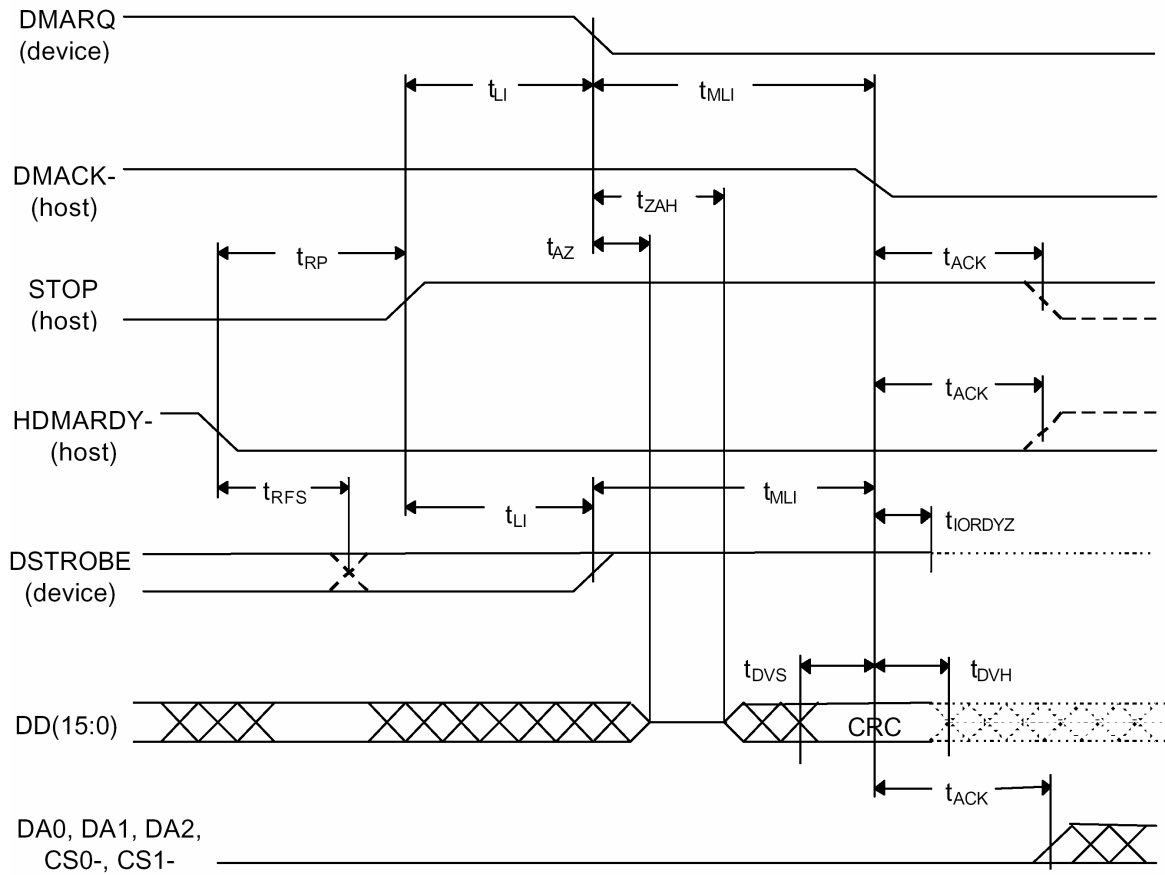
Figure 6.7 - Host Pausing an Ultra DMA Data-In Burst



Notes:

The definitions for the DIOW_:STOP, DIOR_:HDMARDY_:HSTROBE and IORDY:DDMARDY_:DSTROBE signal lines are no longer in effect after DMARQ and DMACK are negated.

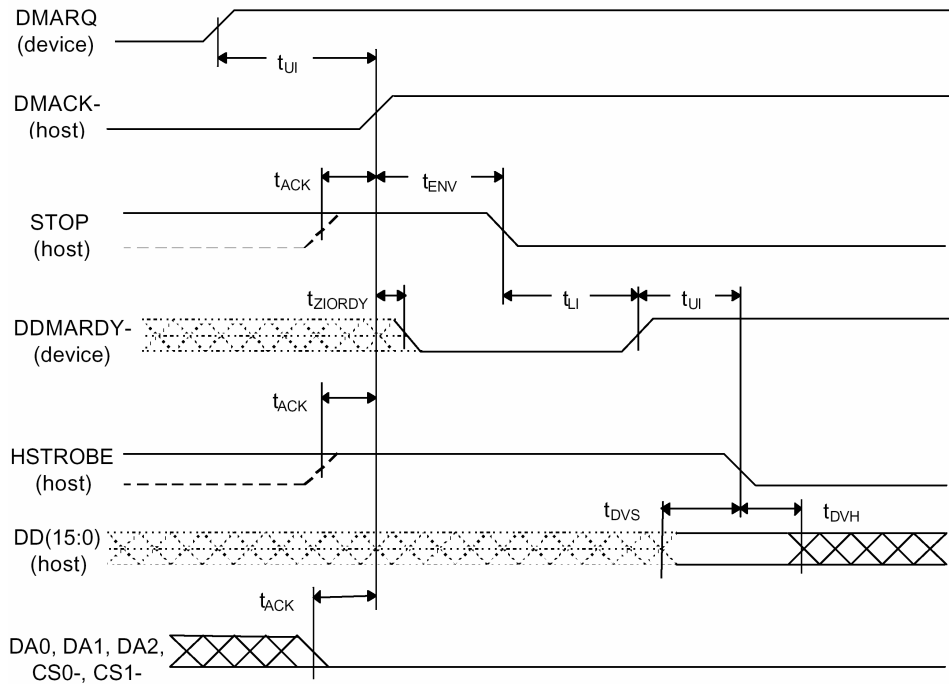
Figure 6.8 - Device Terminating an Ultra DMA Data-In Burst



Notes:

The definitions for the DIOW_:STOP, DIOR_:HDMARDY_:HSTROBE and IORDY:DDMARDY_:DSTROBE signal lines are no longer in effect after DMARQ and DMACK are negated.

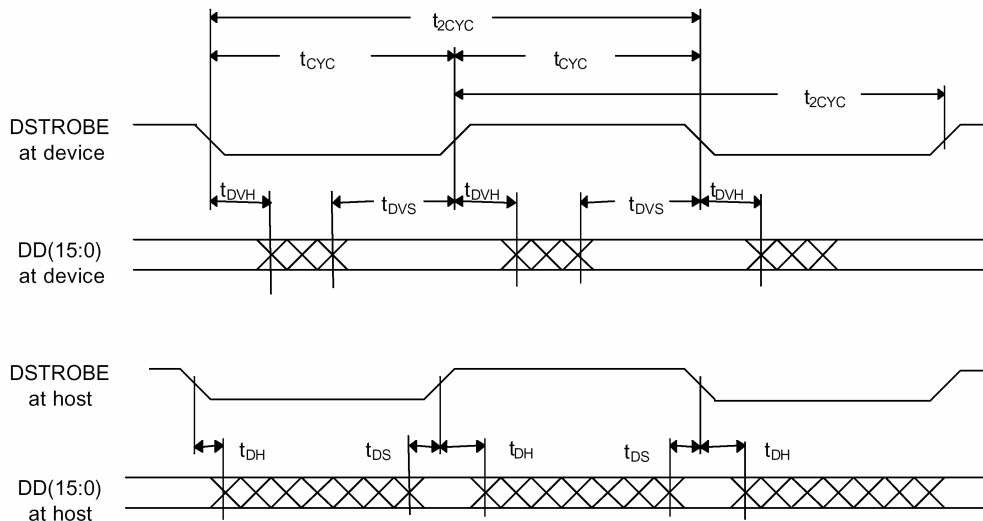
Figure 6.9 - Host Terminating an Ultra DMA Data-In Burst



Notes:

The definitions for the DIOW_:STOP, DIOR_:HDMARDY_:HSTROBE and IORDY_:DDMARDY_:DSTROBE signal lines are not in effect until DMARQ and DMACK are asserted.

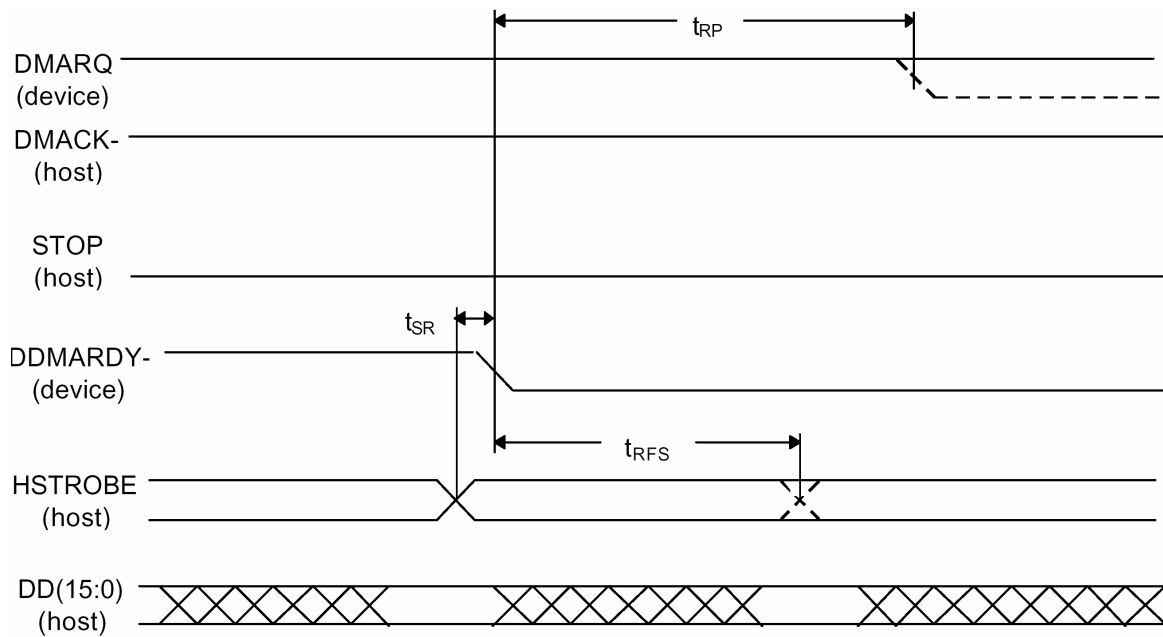
Figure 6.10 - Initiating an Ultra DMA Data-Out Burst



Notes:

IODD(15:0) and HSTROBE signals are shown at both the device and the host to emphasize that cable settling time as well as cable propagation delay shall not allow the data signals to be considered stable at the device until some time after they are driven by the host.

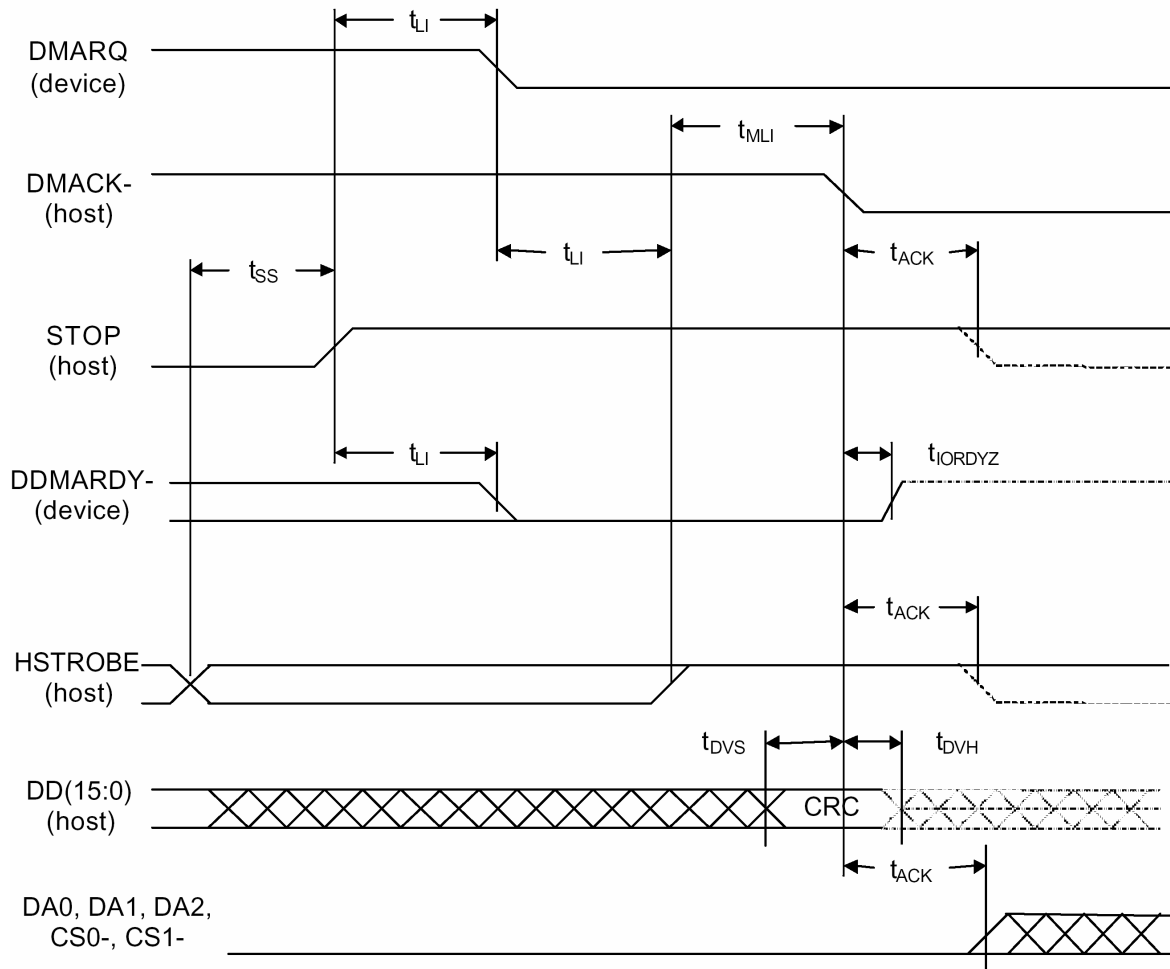
Figure 6.11 - Sustained Ultra DMA Data-Out Burst



Notes:

1. The device may negate DMARQ to request termination of the Ultra DMA burst no sooner than t_{RP} after DDMARDY_ is negated.
2. If the t_{SR} timing is not satisfied, the device may receive zero, one, or two more data words from the host.

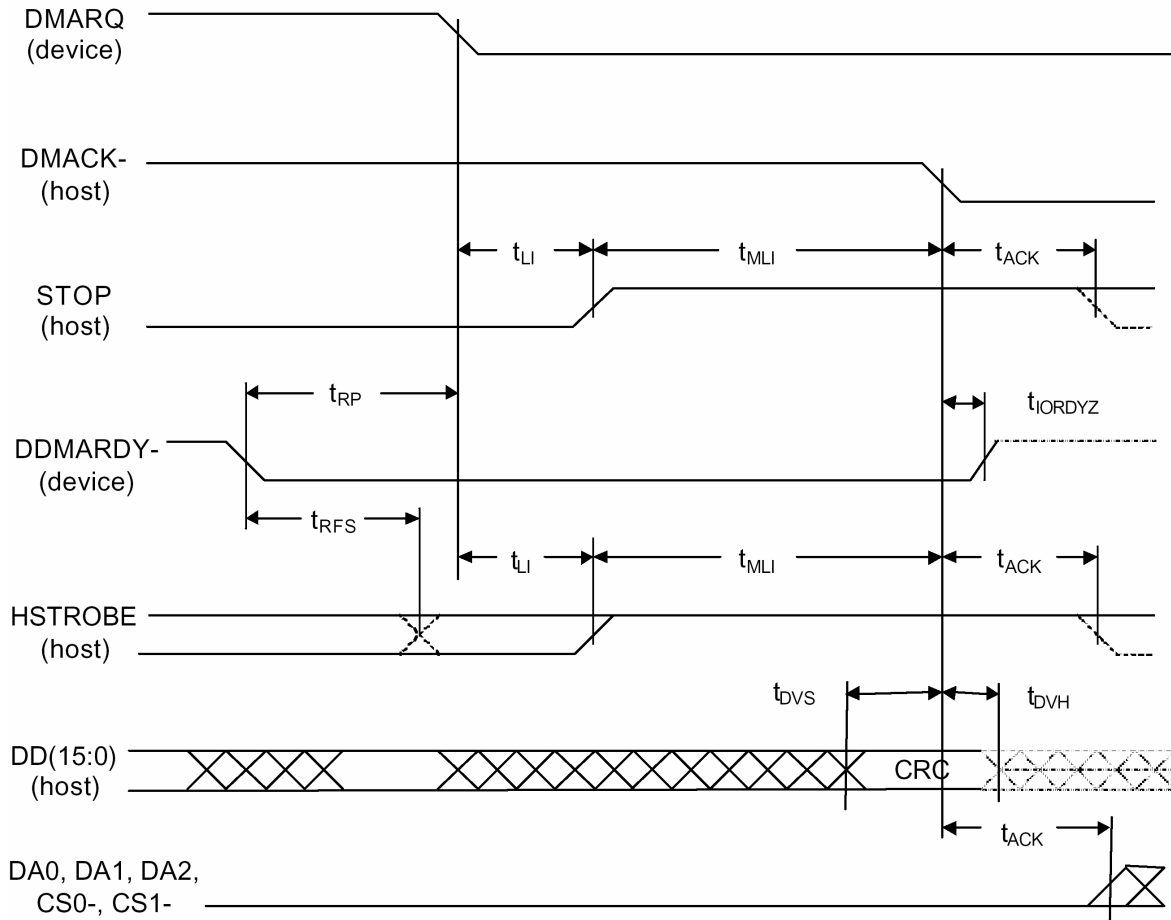
Figure 6.12 - Device Pausing an Ultra DMA Data-Out Burst



Notes:

The definitions for the DIOW_:STOP, DIOR_:HDMARDY_:HSTROBE and IORDY:DDMARDY_:DSTROBE signal lines are no longer in effect after DMARQ and DMACK are negated.

Figure 6.13 - Host terminating an Ultra DMA data-out burst



Notes:

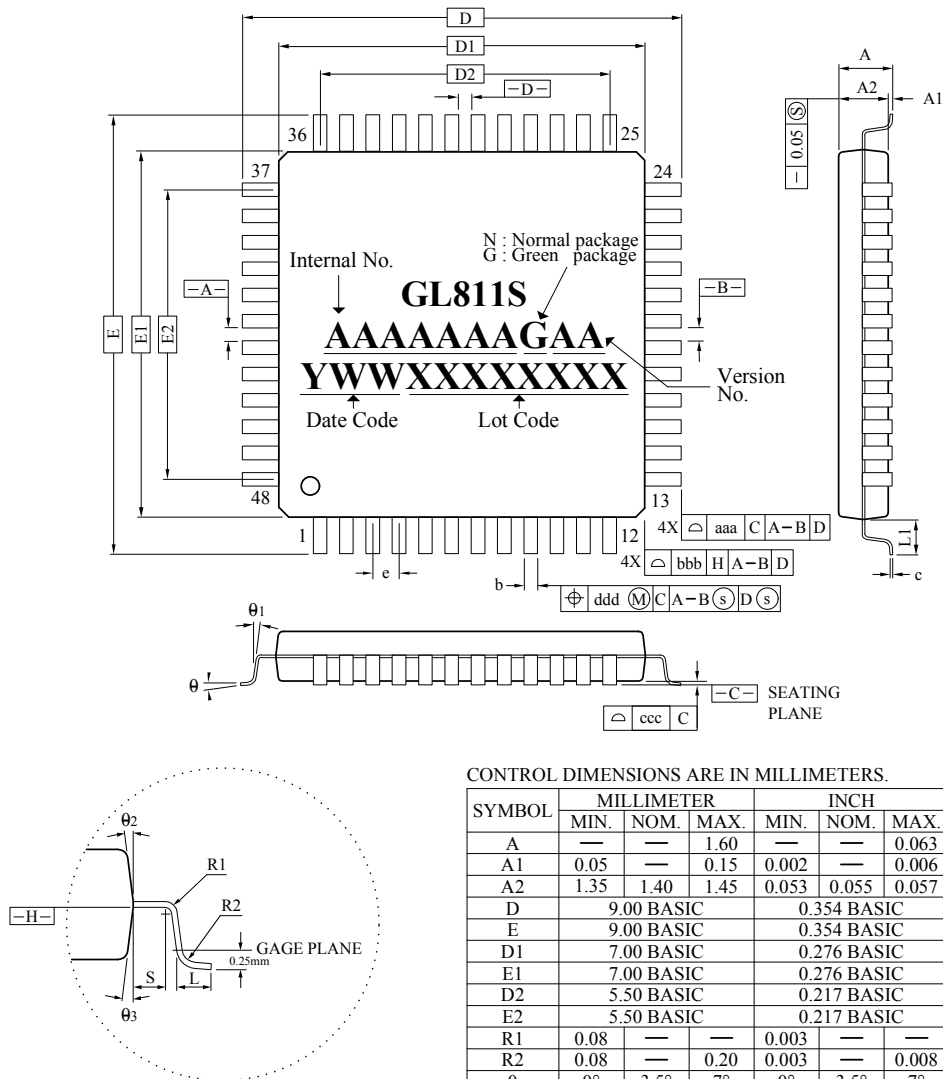
The definitions for the DIOW_:STOP, DIOR_:DDMARDY_:HSTROBE and IORDY_:DDMARDY_:DSTROBE signal lines are no longer in effect after DMARQ and DMACK are negated.

Figure 6.14 - Device Terminating an Ultra DMA Data-Out Burst

6.5 AC Characteristics - USB 2.0

The GL811S conforms to all timing diagrams and specifications for Universal Serial Bus specification rev. 2.0. Please refer to this specification for more information.

CHAPTER 7 PACKAGE DIMENSION



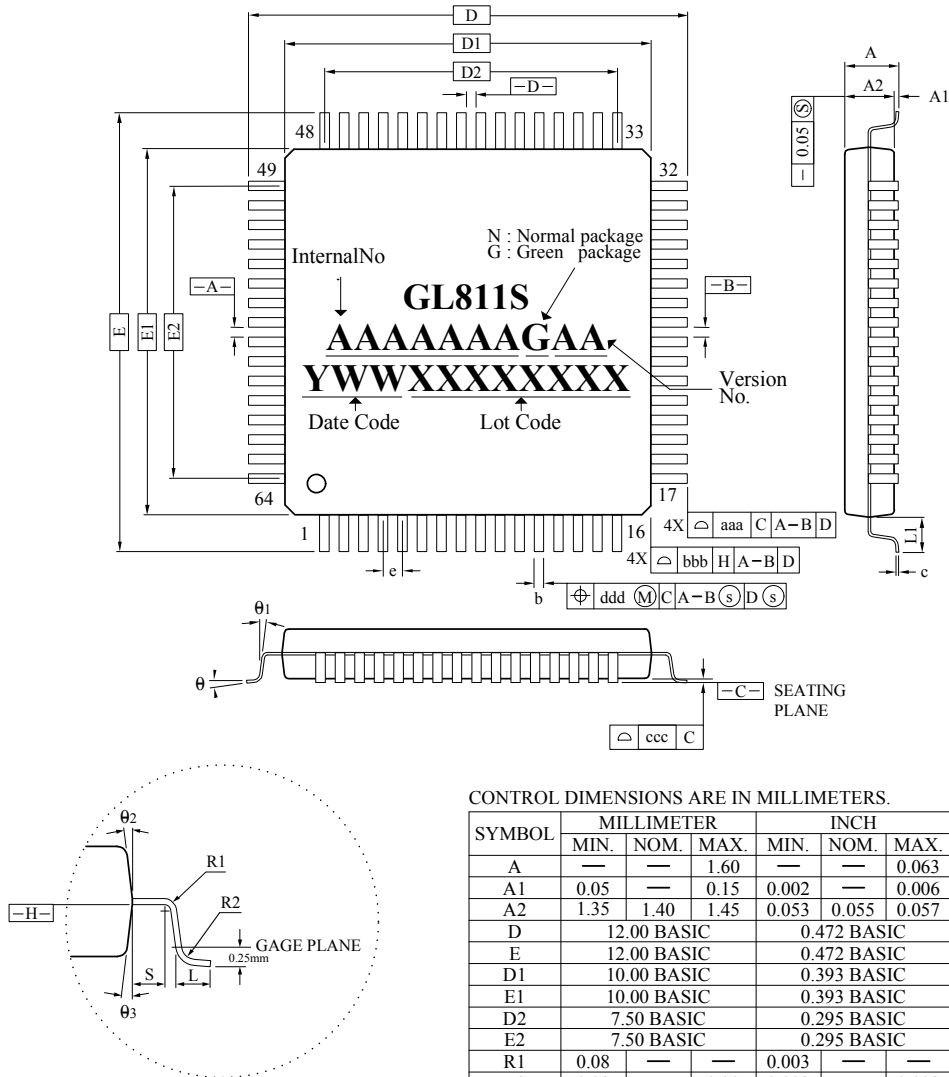
CONTROL DIMENSIONS ARE IN MILLIMETERS.

SYMBOL	MILLIMETER			INCH		
	MIN.	NOM.	MAX.	MIN.	NOM.	MAX.
A	—	—	1.60	—	—	0.063
A1	0.05	—	0.15	0.002	—	0.006
A2	1.35	1.40	1.45	0.053	0.055	0.057
D	9.00 BASIC			0.354 BASIC		
E	9.00 BASIC			0.354 BASIC		
D1	7.00 BASIC			0.276 BASIC		
E1	7.00 BASIC			0.276 BASIC		
D2	5.50 BASIC			0.217 BASIC		
E2	5.50 BASIC			0.217 BASIC		
R1	0.08	—	—	0.003	—	—
R2	0.08	—	0.20	0.003	—	0.008
θ	0°	3.5°	7°	0°	3.5°	7°
θ1	0°	—	—	0°	—	—
θ2	11°	12°	13°	11°	12°	13°
θ3	11°	12°	13°	11°	12°	13°
c	0.09	—	0.20	0.004	—	0.008
L	0.45	0.60	0.75	0.018	0.024	0.030
L1	1.00 REF			0.039 REF		
S	0.20	—	—	0.008	—	—
b	0.17	0.20	0.27	0.007	0.008	0.011
e	0.50 BASIC			0.020 BASIC		
TOLERANCES OF FORM AND POSITION						
aaa	0.20			0.008		
bbb	0.20			0.008		
ccc	0.08			0.003		
ddd	0.08			0.003		

NOTES :

- DIMENSIONS D1 AND E1 DO NOT INCLUDE MOLD PROTRUSION. ALLOWABLE PROTRUSION IS 0.25 mm PER SIDE. D1 AND E1 ARE MAXIMUM PLASTIC BODY SIZE DIMENSIONS INCLUDING MOLD MISMATCH.
- DIMENSION b DOES NOT INCLUDE DAMBAR PROTRUSION. ALLOWABLE DAMBAR PROTRUSION SHALL NOT CAUSE THE LEAD WIDTH TO EXCEED THE MAXIMUM b DIMENSION BY MORE THAN 0.08mm. DAMBAR CAN NOT BE LOCATED ON THE LOWER RADIUS OR THE FOOT. MINIMUM SPACE BETWEEN PROTRUSION AND AN ADJACENT LEAD IS 0.07mm.

Figure 7.1 – GL811S 48 Pin LQFP Package



NOTES :

1. DIMENSIONS D1 AND E1 DO NOT INCLUDE MOLD PROTRUSION. ALLOWABLE PROTRUSION IS 0.25 mm PER SIDE. D1 AND E1 ARE MAXIMUM PLASTIC BODY SIZE DIMENSIONS INCLUDING MOLD MISMATCH.
2. DIMENSION b DOES NOT INCLUDE DAMBAR PROTRUSION. ALLOWABLE DAMBAR PROTRUSION SHALL NOT CAUSE THE LEAD WIDTH TO EXCEED THE MAXIMUM b DIMENSION BY MORE THAN 0.08mm. DAMBAR CAN NOT BE LOCATED ON THE LOWER RADIUS OR THE FOOT. MINIMUM SPACE BETWEEN PROTRUSION AND AN ADJACENT LEAD IS 0.07mm.

CONTROL DIMENSIONS ARE IN MILLIMETERS.

SYMBOL	MILLIMETER			INCH		
	MIN.	NOM.	MAX.	MIN.	NOM.	MAX.
A	—	—	1.60	—	—	0.063
A1	0.05	—	0.15	0.002	—	0.006
A2	1.35	1.40	1.45	0.053	0.055	0.057
D	12.00 BASIC			0.472 BASIC		
E	12.00 BASIC			0.472 BASIC		
D1	10.00 BASIC			0.393 BASIC		
E1	10.00 BASIC			0.393 BASIC		
D2	7.50 BASIC			0.295 BASIC		
E2	7.50 BASIC			0.295 BASIC		
R1	0.08	—	—	0.003	—	—
R2	0.08	—	0.20	0.003	—	0.008
θ	0	3.5	7	0	3.5	7
θ1	0	—	—	0	—	—
θ2	11	12	13	11	12	13
θ3	11	12	13	11	12	13
c	0.09	—	0.20	0.004	—	0.008
L	0.45	0.60	0.75	0.018	0.024	0.030
L1	1.00 REF			0.039 REF		
S	0.20	—	—	0.008	—	—
b	0.17	0.20	0.27	0.007	0.008	0.011
e	0.50 BASIC			0.020 BASIC		
TOLERANCES OF FORM AND POSITION						
aaa	0.20			0.008		
bbb	0.20			0.008		
ccc	0.08			0.003		
ddd	0.08			0.003		

Figure 7.2 – GL811S 64 Pin LQFP Package



CHAPTER 8 ORDERING INFORMATION

Table 8.1 - Ordering Information

Part Number	Package	Green	Version	Status
GL811S-MNGXX	48-pin LQFP	Green Package	XX	Available
GL811S-MSGXX	64-pin LQFP	Green Package	XX	Available