



AK4388

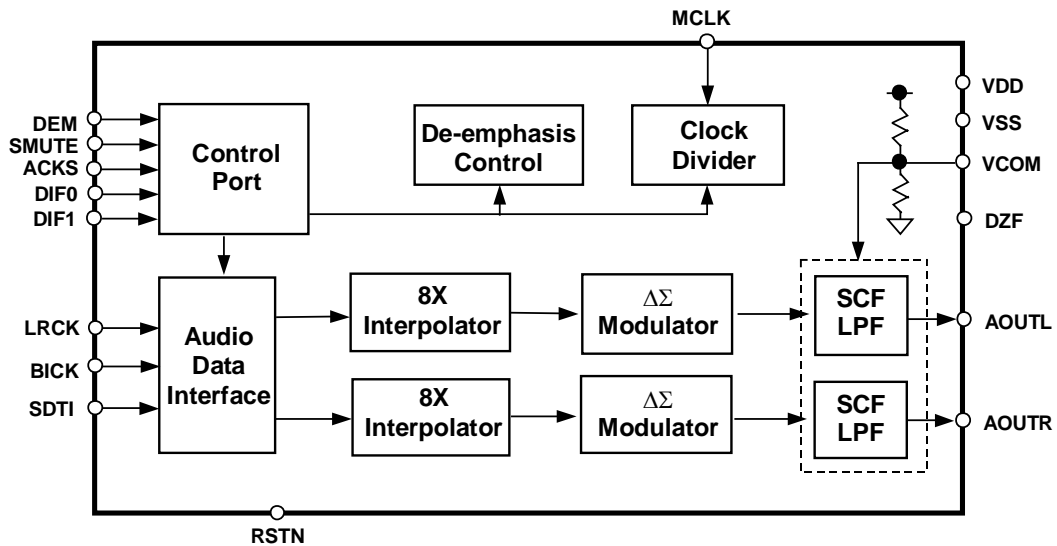
192kHz 24-Bit 2ch $\Delta\Sigma$ DAC

GENERAL DESCRIPTION

The AK4388 offers the perfect mix for cost and performance based audio systems. Using AKM's multi bit architecture for its modulator, the AK4388 delivers a wide dynamic range while preserving linearity for improved THD+N performance. The AK4388 integrates a combination of SCF and CTF filters increasing performance for systems with excessive clock jitter. The 24 Bit word length and 192kHz sampling rate make this part ideal for a wide range of applications including DVD-Audio. The AK4388 is offered in a space saving 16pin TSSOP package.

FEATURES

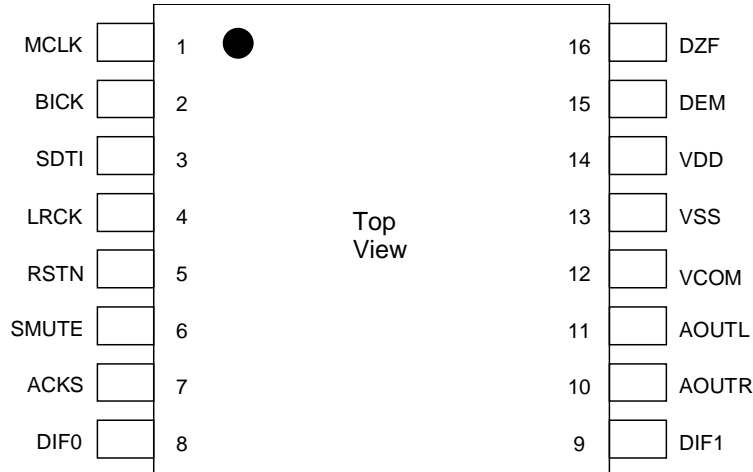
- Sampling Rate Ranging from 8kHz to 192kHz
- 128 times Oversampling (Normal Speed Mode)
- 64 times Oversampling (Double Speed Mode)
- 32 times Oversampling (Quad Speed Mode)
- 24-Bit 8 times FIR Digital Filter
- SCF with High Tolerance to Clock Jitter
- Single Ended Output Buffer
- Digital de-emphasis
- Soft mute
- I/F format: 24-Bit MSB justified, 24/16-Bit LSB justified or I²S
- Master clock: 256fs, 384fs, 512fs, 768fs or 1152fs (Normal Speed Mode)
256fs or 384fs (Double Speed Mode)
128fs, 192fs (Quad Speed Mode)
- THD+N: -90dB
- Dynamic Range: 106dB
- Power supply: 4.5 to 5.5V
- Very Small Package: 16pin TSSOP (6.4mm x 5.0mm)
- AK4384 Parallel Mode Compatible



■ Ordering Guide

AK4388ET	-20 ~ +85°C	16pin TSSOP (0.65mm pitch)
AK4388VT	-40 ~ +85°C	16pin TSSOP (0.65mm pitch)
AKD4388	Evaluation Board for AK4388	

■ Pin Layout



■ Compatibility with AK4384

1. Function

Functions	AK4384	AK4388
THD+N	-94dB	-90dB
Output Voltage	3.4Vpp	3.2Vpp
Slow Roll-Off Filter	Available	Not Available
Mode Setting	Serial/Parallel	Parallel
DEM in Parallel control	Not Available	Available
Audio Format in Parallel control	24-Bit I ² S 24-Bit MSB justified	24/16-Bit I ² S 24-Bit MSB justified 24/16-Bit LSB justified
Zero Data Detect Pin	2 pins	1 pin

2. Pin Configuration

AK4388	AK4384	Pin#	Pin#	AK4384	AK4388
MCLK	MCLK	1	16	DZFL	DZF
BICK	BICK	2	15	DZFR	DEM (pd)
SDTI	SDTI	3	14	VDD	VDD
LRCK	LRCK	4	13	VSS	VSS
RSTN	PDN	5	12	VCOM	VCOM
SMUTE	SMUTE/CSN	6	11	AOUTL	AOUTL
ACKS	ACKS/CCLK	7	10	AOUTR	AOUTR
DIF0	DIF0/CDTI	8	9	P/S (pu)	DIF1 (pu)

Different points from AK4384

* pu: Pull-up, pd: Pull-down

PIN/FUNCTION

No.	Pin Name	I/O	Function
1	MCLK	I	Master Clock Input Pin An external TTL clock should be input on this pin.
2	BICK	I	Audio Serial Data Clock Pin
3	SDTI	I	Audio Serial Data Input Pin
4	LRCK	I	L/R Clock Pin
5	RSTN	I	Reset Mode Pin When at "L", the AK4388 is in the power-down mode and is held in reset. The AK4388 must be reset once upon power-up.
6	SMUTE	I	Soft Mute Pin "H": Enable, "L": Disable
7	ACKS	I	Auto Setting Mode Pin "L": Manual Setting Mode, "H": Auto Setting Mode
8	DIF0	I	Audio Data Interface Format Pin
9	DIF1	I	Audio Data Interface Format Pin (Internal pull-up pin)
10	AOUTR	O	Rch Analog Output Pin
11	AOUTL	O	Lch Analog Output Pin
12	VCOM	O	Common Voltage Pin, VDD/2 Normally connected to VSS with a 10 μ F electrolytic cap.
13	VSS	-	Ground Pin
14	VDD	-	Power Supply Pin
15	DEM	I	De-emphasis Mode Pin (Internal pull-down pin) When at "H", the de-emphasis filter is available.
16	DZF	O	Zero Input Detect Pin

Note: All input pins except pull-up and pull-down pins should not be left floating.

ABSOLUTE MAXIMUM RATINGS

(VSS=0V; Note 1)

Parameter	Symbol	min	max	Units	
Power Supply	VDD	-0.3	6.0	V	
Input Current (any pins except for supplies)	IIN	-	± 10	mA	
Input Voltage	VIND	-0.3	VDD+0.3	V	
Ambient Operating Temperature	AK4388ET	Ta	-20	85	$^{\circ}$ C
	AK4388VT	Ta	-40	85	$^{\circ}$ C
Storage Temperature	Tstg	-65	150	$^{\circ}$ C	

Note: 1. All voltages with respect to ground.

WARNING: Operation at or beyond these limits may results in permanent damage to the device.
Normal operation is not guaranteed at these extremes.

RECOMMENDED OPERATING CONDITIONS

(VSS=0V; Note 1)

Parameter	Symbol	min	typ	max	Units
Power Supply	VDD	4.5	5.0	5.5	V

*AKM assumes no responsibility for the usage beyond the conditions in this datasheet.

ANALOG CHARACTERISTICS

(Ta=25°C; VDD=5.0V; fs=44.1kHz; BICK=64fs; Signal Frequency=1kHz; 24bit Input Data;
Measurement frequency=20Hz ~ 20kHz; R_L ≥ 5kΩ; unless otherwise specified)

Parameter	min	typ	max	Units	
Resolution			24	Bits	
Dynamic Characteristics (Note 3)					
THD+N	fs=44.1kHz	0dBFS	-90	-80	dB
	BW=20kHz	-60dBFS	-42	-	dB
	fs=96kHz	0dBFS	-90	-	dB
	BW=40kHz	-60dBFS	-39	-	dB
	fs=192kHz	0dBFS	-85	-	dB
	BW=40kHz	-60dBFS	-39	-	dB
Dynamic Range (-60dBFS with A-weighted)	(Note 4)	98	106	dB	
S/N (A-weighted)	(Note 5)	98	106	dB	
Interchannel Isolation (1kHz)		90	100	dB	
Interchannel Gain Mismatch			0.2	0.5	dB
DC Accuracy					
Gain Drift			100	-	ppm/°C
Output Voltage	(Note 6)	2.95	3.20	3.45	V _{pp}
Load Resistance	(Note 7)	5			kΩ
Load Capacitance				25	pF
Power Supplies					
Power Supply Current (VDD)					
Normal Operation (RSTN pin = "H", fs ≤ 96kHz)			16	-	mA
Normal Operation (RSTN pin = "H", fs = 192kHz)			18	27	mA
Power-Down Mode (RSTN pin = "L")	(Note 8)		60	160	μA

Notes: 3. Measured by Audio Precision (System Two). Refer to the evaluation board manual.

4. 100dB at 16bit data.

5. S/N does not depend on input bit length.

6. Full-scale voltage (0dB). Output voltage scales with the voltage of VDD,
AOUT (typ.@0dB) = 3.20V_{pp} × VDD/5.

7. For AC-load.

8. DIF1 pin is tied to VDD and the other all digital inputs including clock pins (MCLK, BICK and LRCK) are tied to VSS.

FILTER CHARACTERISTICS							
(Ta = 25°C; VDD = 4.5 ~ 5.5V; fs = 44.1kHz)							
Parameter	Symbol	min	typ	max	Units		
Digital filter (DEM = OFF)							
Passband	±0.05dB (Note 9) -6.0dB	PB	0	22.05	20.0	kHz	
			-		-	kHz	
Stopband	(Note 9)	SB	24.1			kHz	
Passband Ripple		PR			± 0.02	dB	
Stopband Attenuation		SA	54			dB	
Group Delay	(Note 10)	GD	-	19.3	-	1/fs	
De-emphasis Filter (DEM = ON)							
De-emphasis Error (Relative to 0Hz)	fs = 32kHz		-	-	-1.5/0	dB	
	fs = 44.1kHz		-	-	-0.2/+0.2	dB	
	fs = 48kHz		-	-	0/+0.6	dB	
Digital Filter + LPF (DEM = OFF)							
Frequency Response	20.0kHz	fs=44.1kHz	FR	-	±0.2	-	dB
	40.0kHz	fs=96kHz	FR	-	±0.3	-	dB
	80.0kHz	fs=192kHz	FR	-	+0.1/-0.6	-	dB

Notes: 9. The passband and stopband frequencies scale with fs(system sampling rate).

For example, PB=0.4535×fs (@±0.05dB), SB=0.546×fs.

10. The calculating delay time which occurred by digital filtering. This time is from setting the 16/24bit data of both channels to input register to the output of analog signal.

DC CHARACTERISTICS

(Ta=25°C; VDD=4.5 ~ 5.5V)

Parameter	Symbol	min	typ	max	Units
High-Level Input Voltage	VIH	2.2	-	-	V
Low-Level Input Voltage	VIL	-	-	0.8	V
High-Level Output Voltage (Iout=-80μA)	VOH	VDD-0.4	-	-	V
Low-Level Output Voltage (Iout=80μA)	VOL	-	-	0.4	V
Input Leakage Current (Note 11)	Iin	-	-	± 10	μA

Note: 11. Except DIF1 and DEM pins. DIF1 pin has internal pull-up device, DEM pin has internal pull-down device, nominally 100kΩ.

SWITCHING CHARACTERISTICS

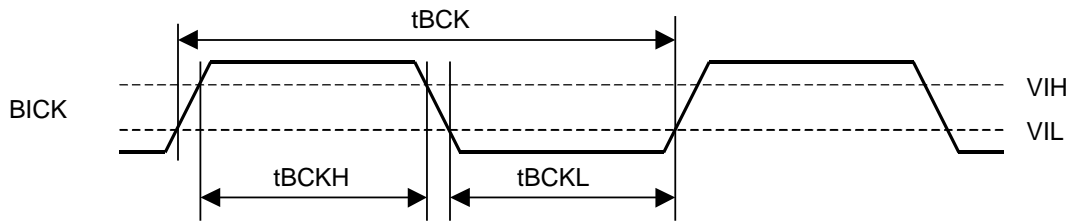
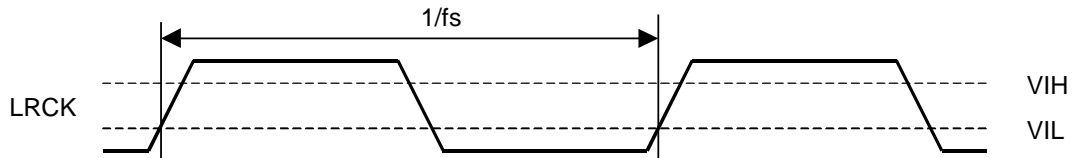
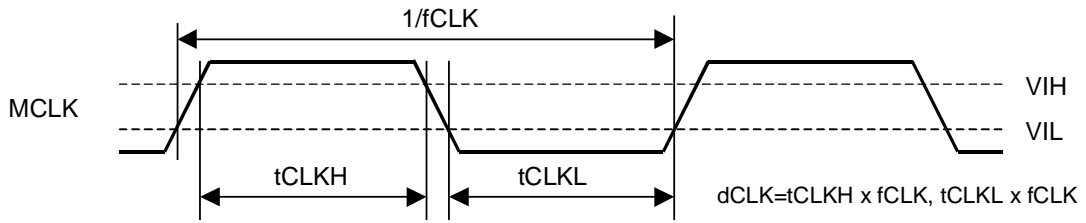
(Ta=25°C; VDD=4.5 ~ 5.5V; CL=20pF)

Parameter	Symbol	min	typ	max	Units
Master Clock Frequency	fCLK	2.048	11.2896	36.864	MHz
Duty Cycle	dCLK	40		60	%
LRCK Frequency					
Normal Speed Mode	fsn	8		48	kHz
Double Speed Mode	fsd	32		96	kHz
Quad Speed Mode	fsq	120		192	kHz
Duty Cycle	Duty	45		55	%
Audio Interface Timing					
BICK Period					
Normal Speed Mode	tBCK	1/128fs			ns
Double/Quad Speed Mode	tBCK	1/64fs			ns
BICK Pulse Width Low	tBCKL	30			ns
Pulse Width High	tBCKH	30			ns
BICK “↑” to LRCK Edge (Note 12)	tBLR	20			ns
LRCK Edge to BICK “↑” (Note 12)	tLRB	20			ns
SDTI Hold Time	tSDH	20			ns
SDTI Setup Time	tSDS	20			ns
Reset Timing					
RSTN Pulse Width (Note 13)	tRST	150			ns

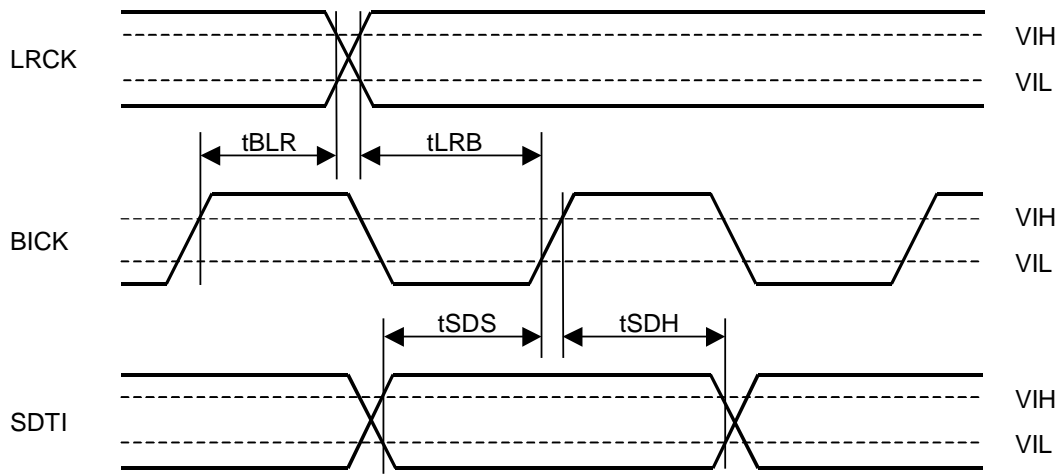
Notes: 12. BICK rising edge must not occur at the same time as LRCK edge.

13. The AK4388 can be reset by bringing RSTN pin = “L”.

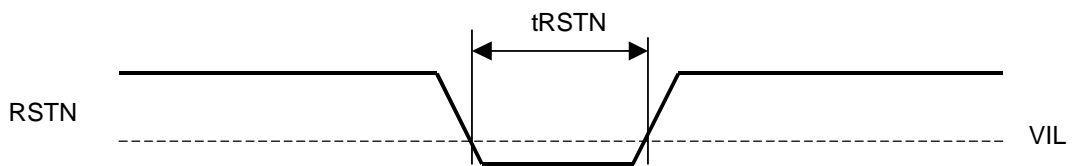
■ Timing Diagram



Clock Timing



Serial Interface Timing



Power-down Timing

OPERATION OVERVIEW

■ System Clock

The external clocks, which are required to operate the AK4388, are MCLK, LRCK and BICK. The master clock (MCLK) should be synchronized with LRCK but the phase is not critical. The MCLK is used to operate the digital interpolation filter and the delta-sigma modulator. There are two methods to set MCLK frequency. In Manual Setting Mode (ACKS pin = "L", Normal Speed Mode), the frequency of MCLK is set automatically (Table 1). After exiting reset (RSTN pin = "↑"), the AK4388 is in Auto Setting Mode. In Auto Setting Mode (ACKS pin = "H"), as MCLK frequency is detected automatically (Table 2), and the internal master clock becomes the appropriate frequency (Table 3).

All external clocks (MCLK, BICK and LRCK) should always be present whenever the AK4388 is in the normal operation mode (RSTN pin = "H"). If these clocks are not provided, the AK4388 may draw excess current and may fall into unpredictable operation. This is because the device utilizes dynamic refreshed logic internally. The AK4388 should be reset by RSTN pin = "L" after these clocks are provided. If the external clocks are not present, the AK4388 should be in the power-down mode (RSTN pin = "L"). After exiting reset at power-up etc., the AK4388 is in the power-down mode until MCLK and LRCK are input.

LRCK fs	MCLK					BICK 64fs
	256fs	384fs	512fs	768fs	1152fs	
32.0kHz	8.1920MHz	12.2880MHz	16.3840MHz	24.5760MHz	36.8640MHz	2.0480MHz
44.1kHz	11.2896MHz	16.9344MHz	22.5792MHz	33.8688MHz	N/A	2.8224MHz
48.0kHz	12.2880MHz	18.4320MHz	24.5760MHz	36.8640MHz	N/A	3.0720MHz

Table 1. System Clock Example (Manual Setting Mode, ACKS pin = "L", Normal Speed Mode)

MCLK		Mode	Sampling Rate
1152fs		Normal	8kHz~32kHz
512fs	768fs	Normal	8kHz~48kHz
256fs	384fs	Double	32kHz~96kHz
128fs	192fs	Quad	120kHz~192kHz

Table 2. Sampling Speed (Auto Setting Mode, ACKS pin = "H")

LRCK fs	MCLK (MHz)						
	128fs	192fs	256fs	384fs	512fs	768fs	1152fs
32.0kHz	-	-	8.1920	12.2880	16.3840	24.5760	36.8640
44.1kHz	-	-	11.2896	16.9344	22.5792	33.8688	-
48.0kHz	-	-	12.2880	18.4320	24.5760	36.8640	-
88.2kHz	-	-	22.5792	33.8688	-	-	-
96.0kHz	-	-	24.5760	36.8640	-	-	-
176.4kHz	22.5792	33.8688	-	-	-	-	-
192.0kHz	24.5760	36.8640	-	-	-	-	-

Table 3. System Clock Example (Auto Setting Mode, ACKS pin = "H")

When MCLK= 256fs/384fs, the Auto Setting Mode supports sampling rate of 32kHz~96kHz (Table 2). But, when the sampling rate is 32kHz~48kHz, DR and S/N will degrade by approximately 3dB as compared to when MCLK= 512fs/768fs.

ACKS pin	MCLK	DR, S/N
L	256fs/384fs/512fs/768fs	106dB
H	256fs/384fs	103dB
H	512fs/768fs	106dB

Table 4. Relationship between MCLK frequency and DR, S/N (fs= 44.1kHz)

■ Audio Serial Interface Format

Data is shifted in via the SDTI pin using BICK and LRCK inputs. The DIF0-1 as shown in Table 5 can select four serial data modes. DIF1 pin is internal pull-up pin. In all modes the serial data is MSB-first, 2's compliment format and is latched on the rising edge of BICK.

Mode	DIF1	DIF0	SDTI Format	BICK	Figure
0	L	L	16bit MSB justified	≥32fs	Figure 1
1	L	H	24bit MSB justified	≥48fs	Figure 2
2	H	L	24bit LSB justified	≥48fs	Figure 3
3	H	H	16/24bit I ² S Compatible	≥48fs or 32fs	Figure 4

Table 5. Audio Data Formats

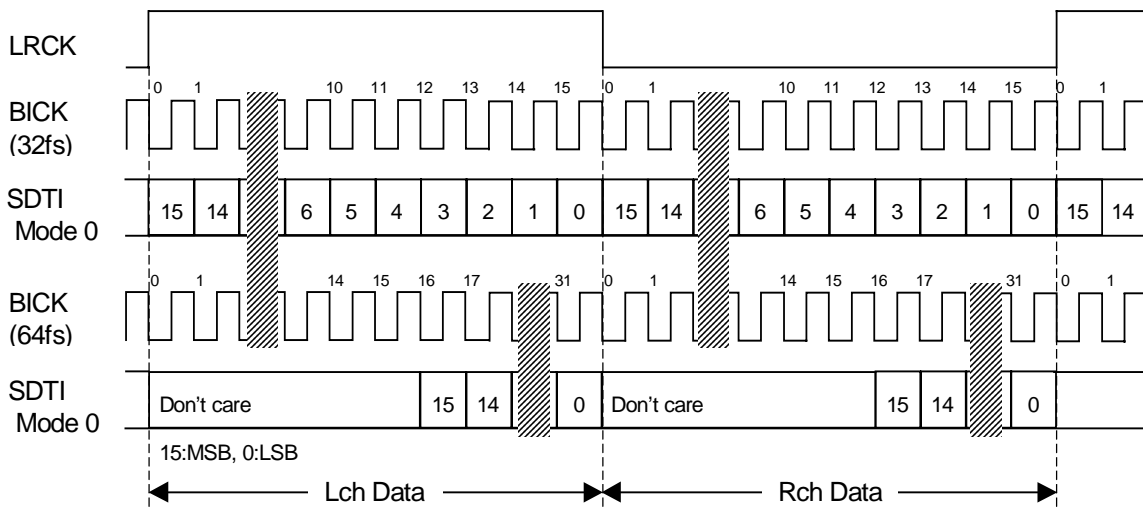


Figure 1. Mode 0 Timing

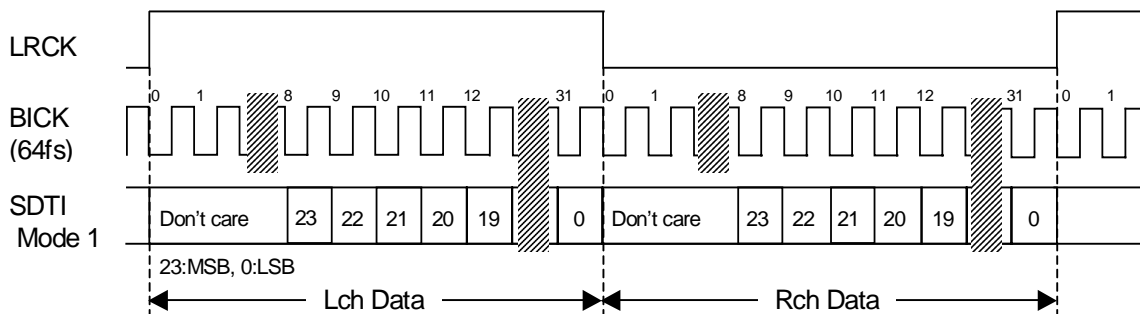


Figure 2. Mode 1 Timing

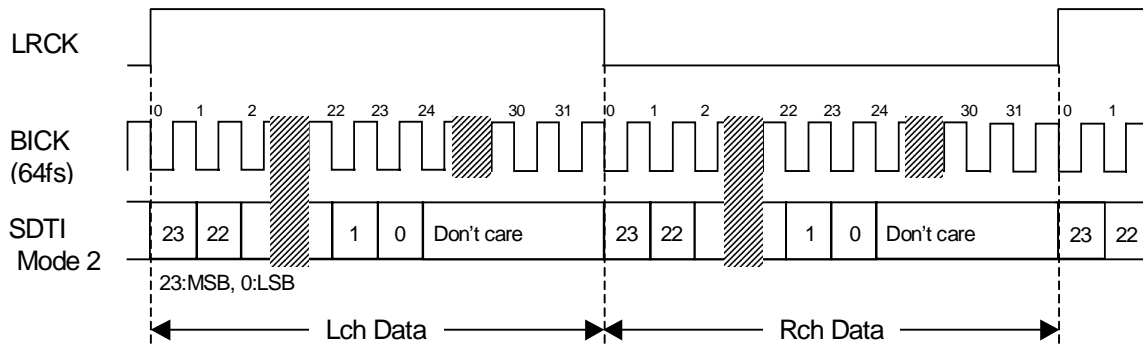


Figure 3. Mode 2 Timing

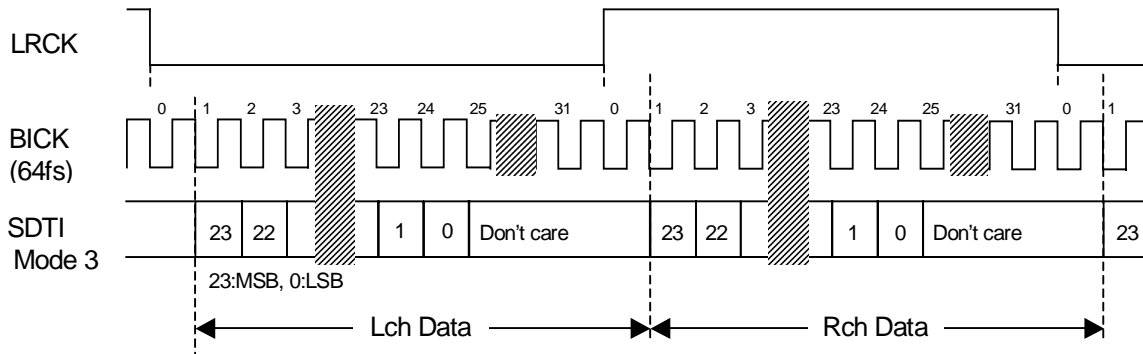


Figure 4. Mode 3 Timing

■ De-emphasis Filter

A digital de-emphasis filter is built-in ($t_c = 50/15\mu s$). DEM pin is internal pull-down pin. The digital de-emphasis filter is enabled by setting DEM pin "H". Refer to the section of "FILTER CHARACTERISTICS" regarding the gain error when the de-emphasis filter is enabled.

DEM pin	De-emphasis Filter
1	ON
0	OFF

Default

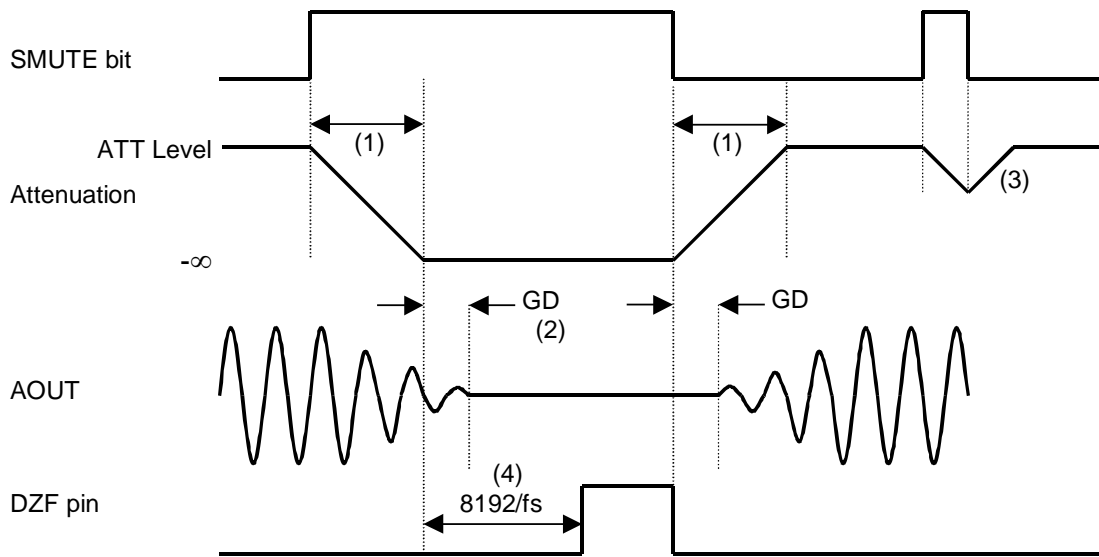
Table 6. De-emphasis Filter Control

■ Zero Detection

When the input data at both channels are continuously zeros for 8192 LRCK cycles, DZF pin goes to “H”. DZF pin immediately goes to “L” if input data of both channels are not zero after going DZF “H”(Figure 5).

■ Soft Mute Operation

Soft mute operation is performed at digital domain. When the SMUTE pin goes to “H”, the output signal is attenuated by $-\infty$ during 1024 LRCK cycles. When the SMUTE pin is returned to “L”, the mute is cancelled and the output attenuation gradually changes to 0dB during 1024 LRCK cycles. If the soft mute is cancelled within the 1024 LRCK cycles after starting the operation, the attenuation is discontinued and returned to 0dB by the same cycle. The soft mute is effective for changing the signal source without stopping the signal transmission.



Notes:

- (1) 1024LRCK cycles (1024/fs) at input data is attenuated to $-\infty$.
- (2) The analog output corresponding to the digital input has a group delay, GD.
- (3) If the soft mute is cancelled before attenuating to $-\infty$ after starting the operation, the attenuation is discontinued and returned to ATT level by the same cycle.
- (4) When the input data at both channels are continuously zeros for 8192 LRCK cycles, DZF pin goes to “H”. DZF pin immediately goes to “L” if input data are not zero after going DZF “H”.

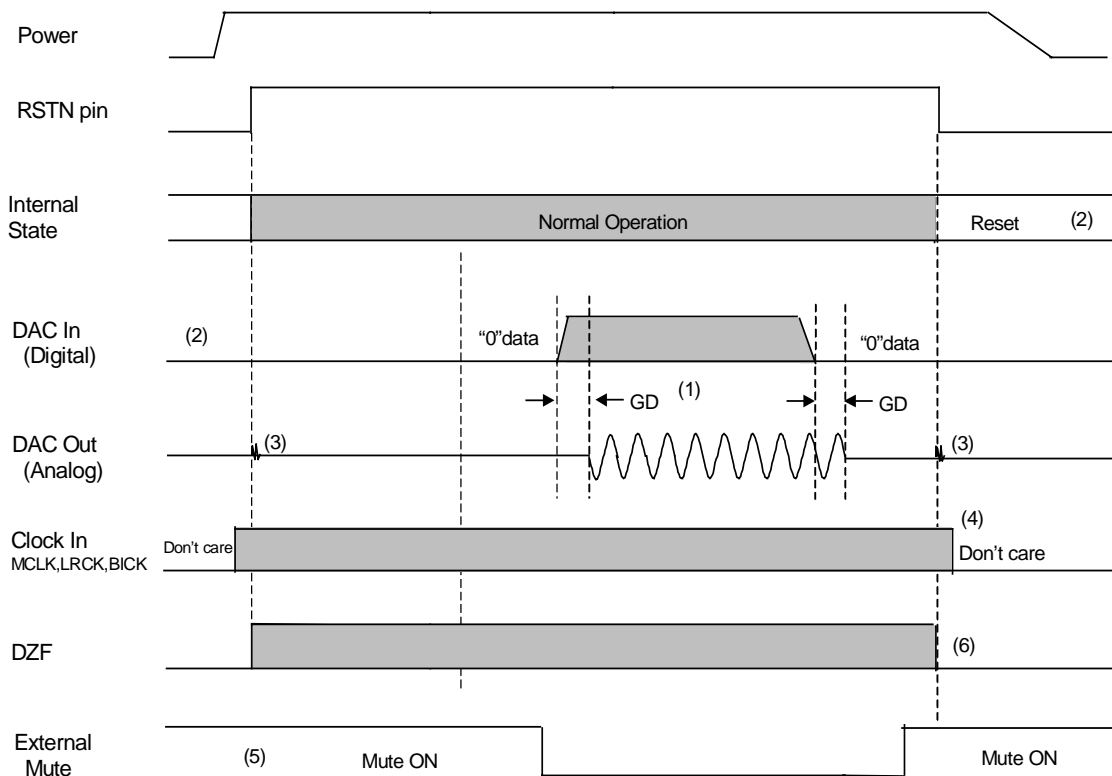
Figure 5. Soft Mute and Zero Detection

■ System Reset

The AK4388 must be reset once by bringing RSTN pin = "L" upon power-up. The AK4388 is powered up and the internal timing starts clocking by LRCK "↑" after exiting reset and power down state by MCLK. The AK4388 is in the power-down mode until LRCK are input.

■ Power ON/OFF timing

AK4388 is placed in the power-down mode by bringing RSTN pin "L" and the registers are initialized. The analog outputs go to VCOM (VDD/2). Since some click noise occurs at the edge of the RSTN signal, the analog output should be muted externally if the click noise influences system application.



Notes:

- (1) The analog output corresponding to digital input has the group delay (GD).
- (2) Analog outputs are VCOM (VDD/2) in power-down mode.
- (3) Click noise occurs at the edge of RSTN signal. This noise is output even if "0" data is input.
- (4) The external clocks (MCLK, BICK and LRCK) can be stopped in the power-down mode (RSTN pin = "L").
- (5) Mute the analog output externally if the click noise (3) influences the system application.
The timing example is shown in this figure.
- (6) DZF pins are "L" in the power-down mode (RSTB pin = "L").

Figure 6. Power-down/up Sequence Example

SYSTEM DESIGN

Figure 7 shows the system connection diagram. An evaluation board (AKD4388) is available in order to allow an easy study on the layout of a surrounding circuit.

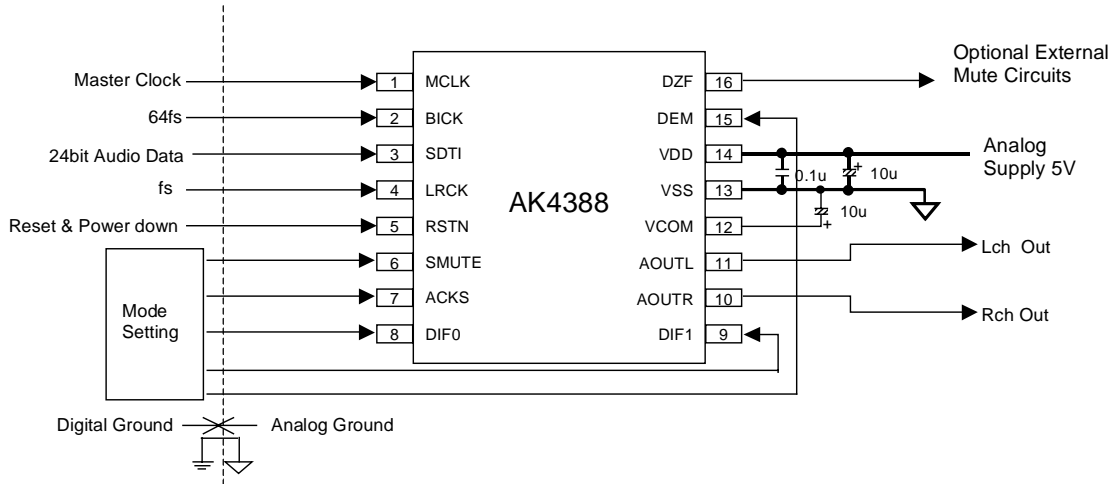


Figure 7. Typical Connection Diagram

Notes:

- LRCK = fs, BICK = 64fs.
- When AOUT drives some capacitive load, some resistor should be added in series between AOUT and capacitive load.
- All input pins except DIF1 and DEM pins should not be left floating.

1. Grounding and Power Supply Decoupling

VDD and VSS are supplied from analog supply and should be separated from system digital supply. Decoupling capacitor, especially 0.1μF ceramic capacitor for high frequency should be placed as near to VDD as possible. The differential Voltage between VDD and VSS pins set the analog output range.

2. Analog Outputs

The analog outputs are single-ended and centered around the VCOM voltage. The output signal range is typically 3.20Vpp (typ@VDD=5V). The internal switched-capacitor filter and continuous-time filter attenuate the noise generated by the delta-sigma modulator beyond the audio passband. The output voltage is a positive full scale for 7FFFFFFH (@24bit) and a negative full scale for 800000H (@24bit). The ideal output is VCOM voltage for 000000H (@24bit).

DC offsets on analog outputs are eliminated by AC coupling since analog outputs have DC offsets of VCOM + a few mV. Figure 8 shows an example of the external LPF with 3.20Vpp (1.13Vrms) output. Figure 9 shows an example of the external LPF with 2Vrms output.

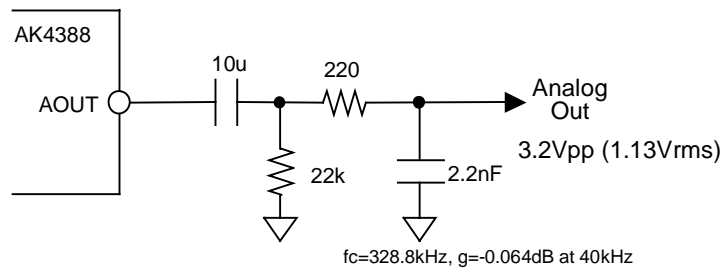


Figure 8. External 1st order LPF Circuit Example (simple)

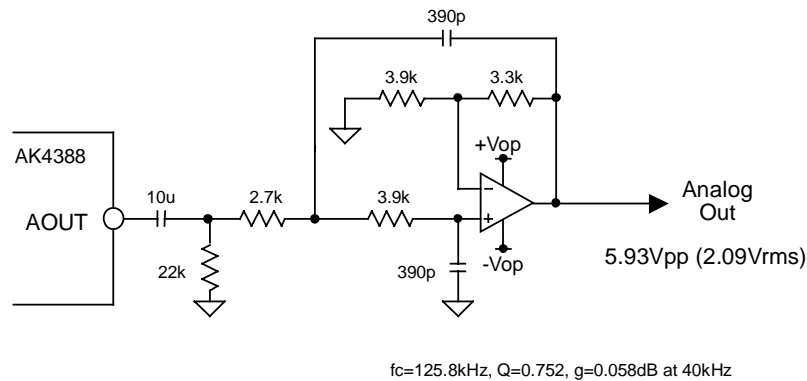
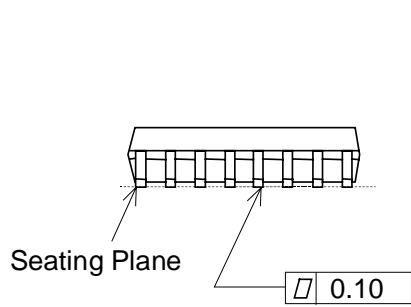
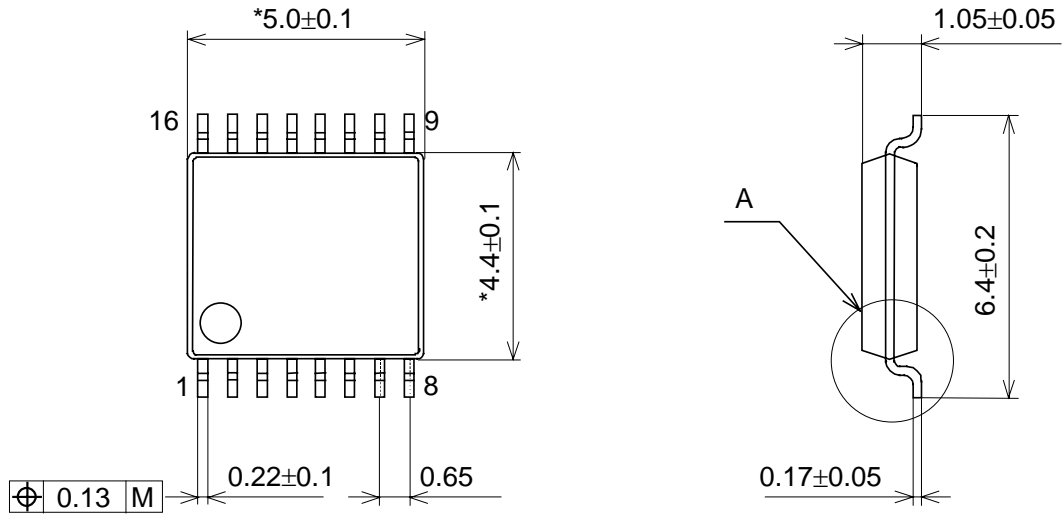


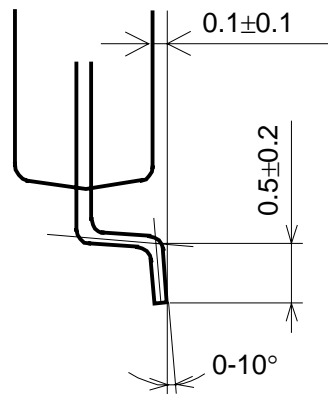
Figure 9. External 2nd order LPF Circuit Example (using op-amp with dual power supplies)

PACKAGE

16pin TSSOP (Unit: mm)



Detail A

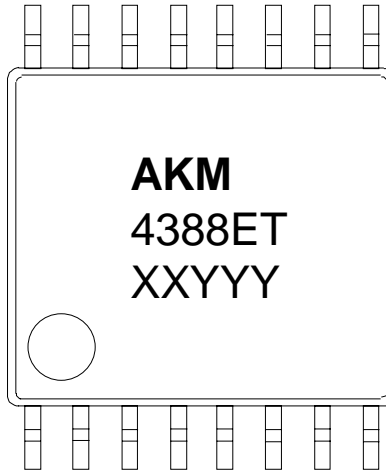


NOTE: Dimension "*" does not include mold flash.

■ Package & Lead frame material

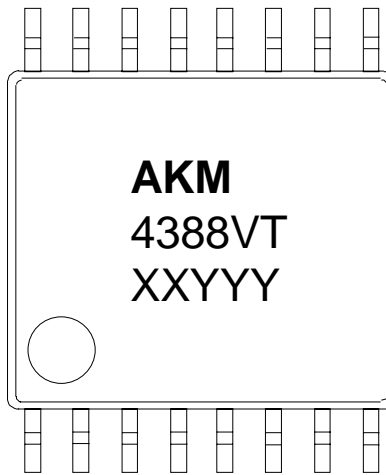
- Package molding compound: Epoxy
- Lead frame material: Cu
- Lead frame surface treatment: Solder (Pb free) plate

MARKING (AK4388ET)



- 1) Pin #1 indication
- 2) Date Code : XXYYY (5 digits)
 XX: Lot#
 YYY: Date Code
- 3) Marketing Code : 4388ET
- 4) Asahi Kasei Logo

MARKING (AK4388VT)



- 1) Pin #1 indication
- 2) Data Code : XXYYY(5 digits)
 XX: Lot#
 YYY: Date Code
- 3) Marketing Code : 4388VT
- 4) Asahi Kasei Logo

Date (YY/MM/DD)	Revision	Reason	Page	Contents
06/04/24	00	First edition		
06/07/28	00	Error Correction	12	Figure 6 DZF1/DZF2 → DZF “(6) DZF pins are “L” in the power-down mode (RSTB pin = “L”).” was added.
			14	Figure 8 fc=154kHz, g=0.284dB at 40kHz → fc=328.8kHz, g=-0.064dB at 40kHz

IMPORTANT NOTICE

- These products and their specifications are subject to change without notice. Before considering any use or application, consult the Asahi Kasei Microsystems Co., Ltd. (AKM) sales office or authorized distributor concerning their current status.
- AKM assumes no liability for infringement of any patent, intellectual property, or other right in the application or use of any information contained herein.
- Any export of these products, or devices or systems containing them, may require an export license or other official approval under the law and regulations of the country of export pertaining to customs and tariffs, currency exchange, or strategic materials.
- AKM products are neither intended nor authorized for use as critical components in any safety, life support, or other hazard related device or system, and AKM assumes no responsibility relating to any such use, except with the express written consent of the Representative Director of AKM. As used here:
 - (a) A hazard related device or system is one designed or intended for life support or maintenance of safety or for applications in medicine, aerospace, nuclear energy, or other fields, in which its failure to function or perform may reasonably be expected to result in loss of life or in significant injury or damage to person or property.
 - (b) A critical component is one whose failure to function or perform may reasonably be expected to result, whether directly or indirectly, in the loss of the safety or effectiveness of the device or system containing it, and which must therefore meet very high standards of performance and reliability.
- It is the responsibility of the buyer or distributor of an AKM product who distributes, disposes of, or otherwise places the product with a third party to notify that party in advance of the above content and conditions, and the buyer or distributor agrees to assume any and all responsibility and liability for and hold AKM harmless from any and all claims arising from the use of said product in the absence of such notification.