

# VSC7132-01

VITESSE

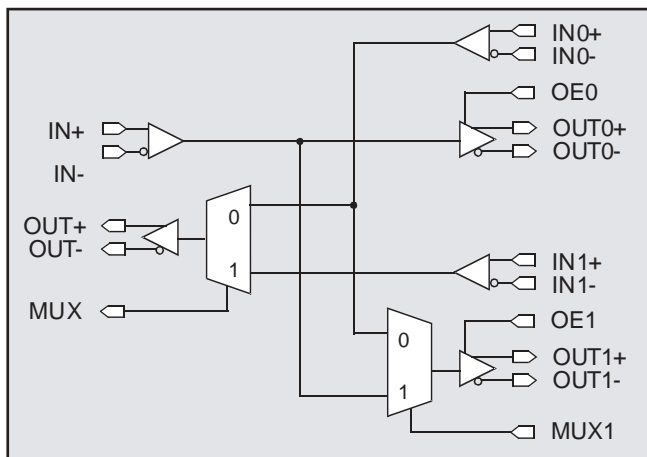
## VSC7132-01: Link Replicator for Fibre Channel, Gigabit Ethernet and HDTV



### APPLICATIONS:

- ( Link Replicator for:
  - Fibre Channel
  - Gigabit Ethernet
  - HDTV
- ( For Line Cards to Provide Redundant, Hot-Swappable Links to Redundant Switch Fabric Cards
- ( For Host Bus Adapter Boards for Routing Between Internal and External Connectors

### VSC7132-01 BLOCK DIAGRAM:



### FEATURES:

- ( Replicates Fibre Channel, Gigabit Ethernet, and HDTV Links
- ( T11 Fibre Channel Compliant at 1.0625 Gb/s
- ( IEEE802.3z Gigabit Ethernet Compliant at 1.25 Gb/s
- ( SMPTE-292M Compliant at 1.485 Gb/s
- ( No External Components Required

### SPECIFICATIONS:

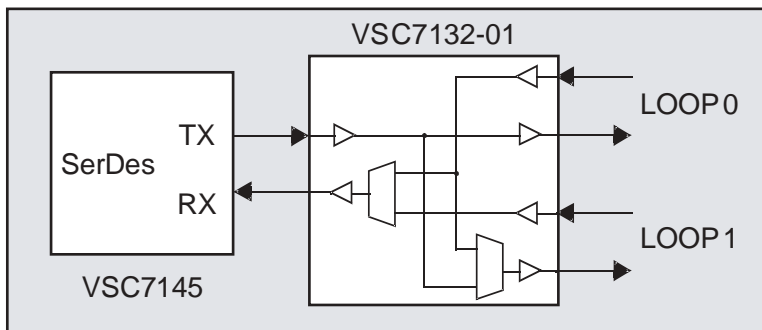
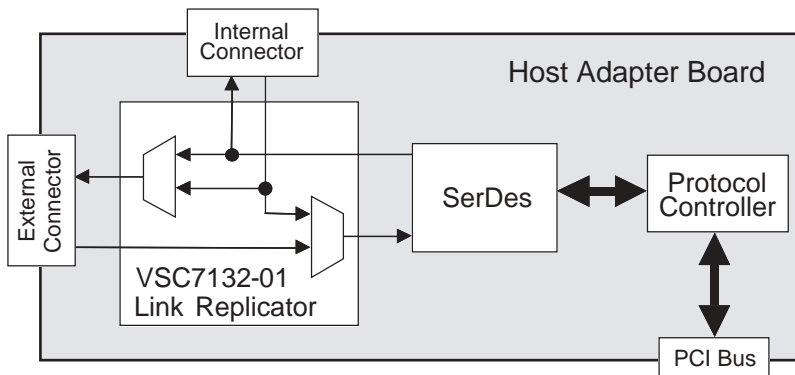
- ( 0.435W Maximum Power Dissipation
- ( 3.3V Power Supply
- ( 28-pin, 4.4mm x 9.7mm TSSOP Package

### GENERAL DESCRIPTION:



The VSC7132-01 is a high performance serial Link Replicator for applications in Fibre Channel, Gigabit Ethernet, and HDTV. A serializer/deserializer (SerDes), such as the VSC7145, would normally be connected to the IN/OUT ports in order to provide duplicate links on the IN/OUT ports of the VSC7132-01. A popular application is for Line Cards using serial links from a SerDes or Serial Backplane IC (VSC7226) where the VSC7132-01 provides redundant, hot-swappable links to redundant Switch Fabric Cards. Another common application is in a Host Adapter Board that may require an internal and an external connector where the VSC7132-01 steers serial data between the SerDes and the two connectors.

### VSC7132-01 APPLICATION DIAGRAMS:



For more information on Vitesse Products visit the Vitesse web site at [www.vitesse.com](http://www.vitesse.com) or contact Vitesse Sales at (800) VITESSE or [sales@vitesse.com](mailto:sales@vitesse.com)