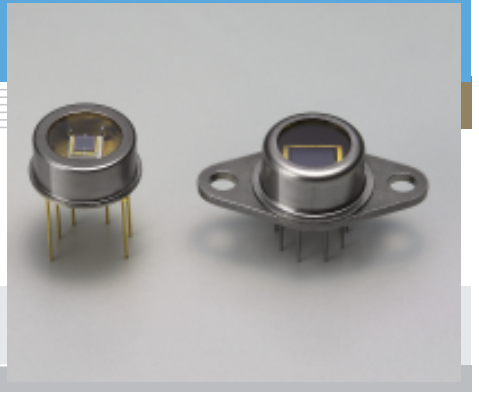


Si photodiode S2592/S3477 series

Thermoelectrically cooled photodiode for low-light-level detection in UV to near IR



S2592/S3477 series sensors combine a UV to near infrared Si photodiode with a thermoelectric cooler. A thermistor is also included in the same package to sense the Si photodiode chip temperature. This allows stable operation over long periods of time, making these sensors suitable for low-light-level detection where a high S/N is required.

S2592 series is hermetically sealed in a TO-8 package, and S3477 series in a TO-66 package. A dedicated temperature controller (C1103-04) and heatsink (A3179 series) are also available as options (sold separately).

Features

- High S/N
- High UV sensitivity
- Built-in thermistor allows stable operation

Applications

- Low-light-level detection

General ratings

Parameter	S2592-03	S3477-03	S2592-04	S3477-04	Unit
Built-in photodiode	S1336 series				-
Window material	Sapphire glass				-
Active area	2.4 × 2.4		5.8 × 5.8		mm
Package	TO-8	TO-66	TO-8	TO-66	

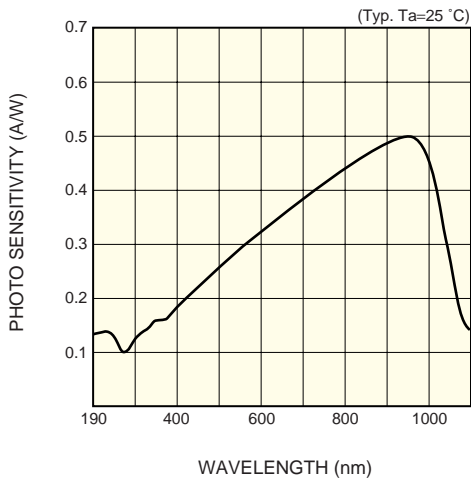
Absolute maximum ratings

Parameter	Symbol	Value	Unit
Reverse voltage	V_R	5	V
Operating temperature	T_{opr}	-40 to +70	°C
Storage temperature	T_{stg}	-55 to +85	°C
Allowable current for thermoelectric cooler	I_{te}	1.5	A
Thermistor power dissipation	P_{th}	0.2	mW

Electrical and optical characteristics (Typ. $T_a=25\text{ }^\circ\text{C}$)

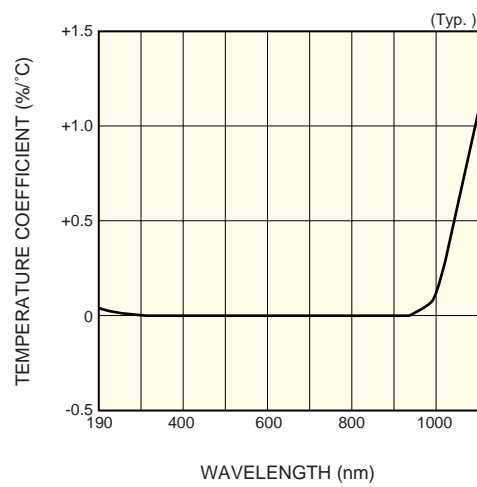
Parameter	Symbol	Condition	S2592-03	S3477-03	S2592-04	S3477-04	Unit
Spectral response range	λ		190 to 1100				nm
Peak sensitivity wavelength	λ_p		960				nm
Photo sensitivity	S	$\lambda=\lambda_p$	0.5				A/W
Short circuit current	I_{sc}	100 lx, 2856 K	5		28		μA
Dark current	I_D	$V_R=10\text{ mV}$	10		25		pA
Temperature coefficient of dark current	T_{CID}		1.15				times/°C
Rise time	t_r	$V_R=0\text{ V}, R_L=1\text{ k}\Omega$	0.2		1		μs
Terminal capacitance	C_t	$V_R=0\text{ V}$	65		380		pF
Shunt resistance	R_{sh}	$V_R=10\text{ mV}$	1		0.4		$\text{G}\Omega$
Noise equivalent power	NEP	$V_R=0\text{ V}, \lambda=\lambda_p$	8.1×10^{-15}		1.3×10^{-14}		$\text{W}/\text{Hz}^{1/2}$
Cooling temperature	ΔT		35				°C

■ Spectral response



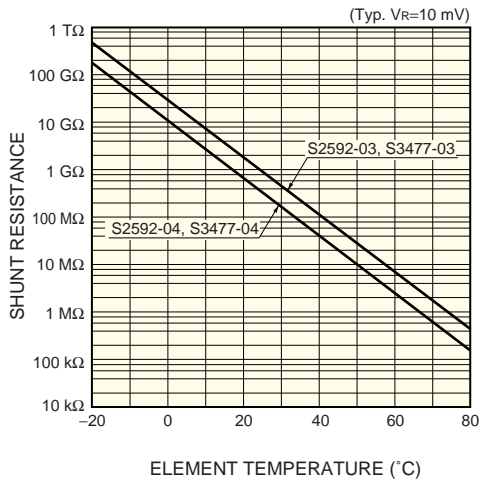
KSPDB0182EA

■ Photo sensitivity temperature characteristic



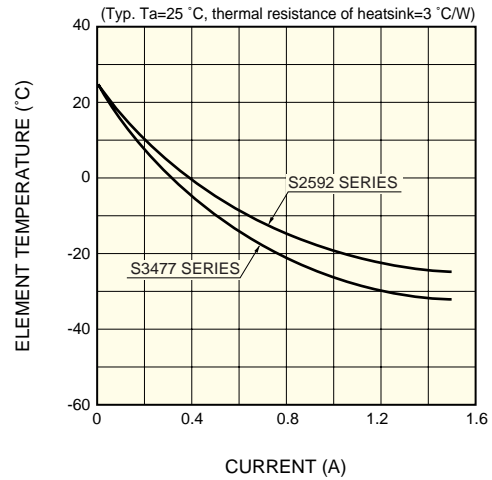
KSPDB0053EB

■ Shunt resistance vs. element temperature



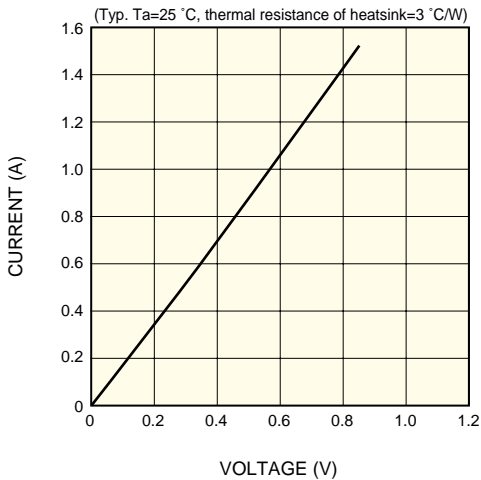
KSPDB0183EA

■ Cooling characteristics of TE-cooler



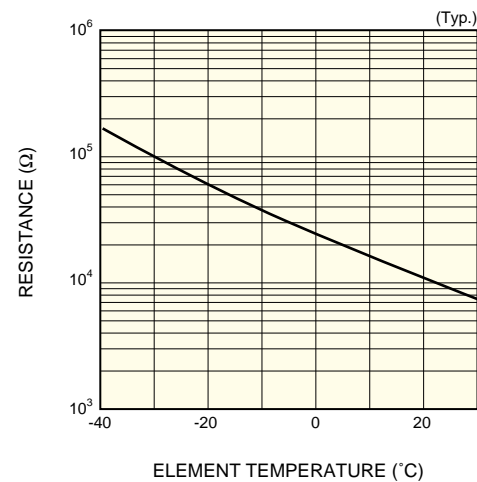
KSPDB0184EA

■ Current vs. voltage characteristic of TE-cooler



KSPDB0185EB

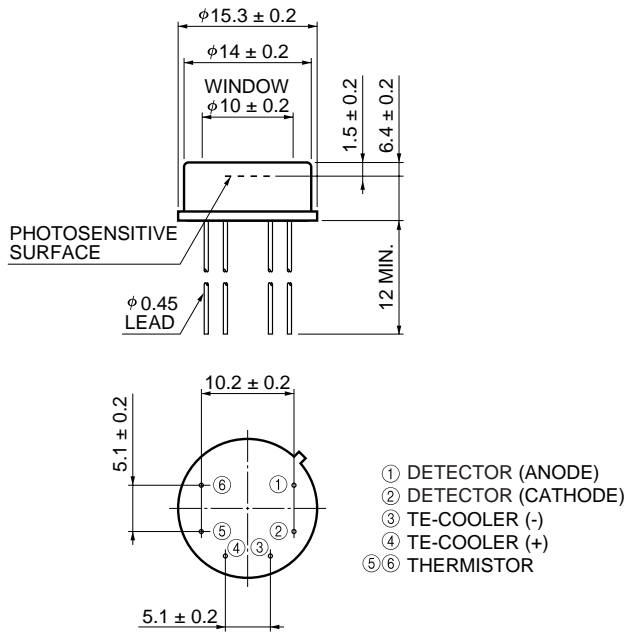
■ Thermistor temperature characteristic



KIRDB0116EA

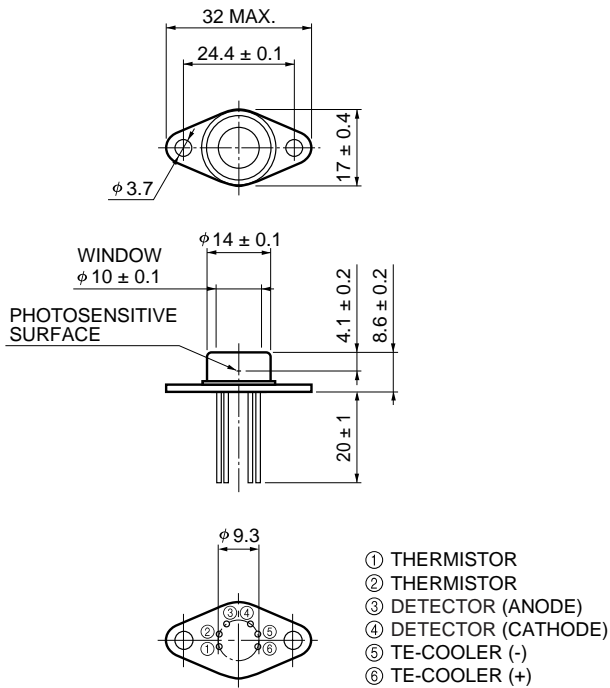
■ Dimensional outlines (unit: mm)

S2592 series



KSPDA0133EA

S3477 series



KSPDA0134EC

Temperature controller for TE-cooled detector**C1103-04**

By adjusting the current flowing through the thermoelectric cooler in a one-stage or two-stage thermoelectrically cooled detector, C1103-04 maintains the detector element at a constant temperature. The cooling temperature can be easily set by using the control knob on the front panel.

■ Accessories

Instruction manual

4-conductor cable (with a connector)

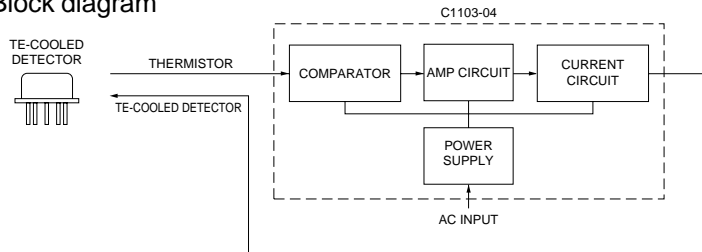
A4372-05

■ Specifications (common)

Setting element temperature	-30 to +20 °C
Applicable detectors	One-stage or two-stage thermoelectrically cooled detectors
Temperature stability	Within ± 0.1 °C
Temperature control output current	1.2 A Max.
Power supply	100 V \pm 10 % · 50/60 Hz *
Power consumption	30 VA
Dimensions and weight	108 (W) \times 87 (H) \times 190 (D) mm/1.9 kg approx.
Operating temperature	+10 to +40 °C
Operating humidity	Equal to or less than 90 %
Storage temperature	+10 to +40 °C

* Power requirement (AC line voltage) can be selected from among 100 V, 115 V and 230 V at the factory prior to shipping.

■ Block diagram



C1103-04 conforms to European EMC directives (89/336/EEC) and LVD (73/23/EEC).

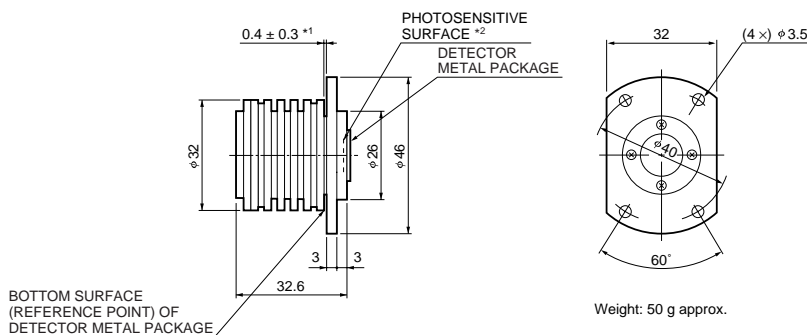
KACCO0143EA

KOTH0005EA

Heatsink for TE-cooled detector (TO-8 package)**A3179**

A3179 series heatsinks are designed for thermoelectrically cooled detectors having a 6-pin TO-8 package. Heat dissipation capacity for A3179 is about 35 °C versus the ambient temperature 25 °C.

■ Dimensional outlines (unit: mm)



Weight: 50 g approx.

- *1: When detector element is installed.
 *2: The position of the photosensitive surface differs according to the detector element used.
 Refer to the dimensional outline for the detector.

KIRDA0018EB

HAMAMATSU

Information furnished by HAMAMATSU is believed to be reliable. However, no responsibility is assumed for possible inaccuracies or omissions. Specifications are subject to change without notice. No patent rights are granted to any of the circuits described herein. ©2006 Hamamatsu Photonics K.K.

HAMAMATSU PHOTONICS K.K., Solid State Division

1126-1 Ichino-cho, Higashi-ku, Hamamatsu City, 435-8558 Japan, Telephone: (81) 53-434-3311, Fax: (81) 53-434-5184, www.hamamatsu.com

U.S.A.: Hamamatsu Corporation: 360 Foothill Road, P.O.Box 6910, Bridgewater, N.J. 08807-0910, U.S.A., Telephone: (1) 908-231-0960, Fax: (1) 908-231-1218

Germany: Hamamatsu Photonics Deutschland GmbH: Arzbergerstr. 10, D-82211 Herrsching am Ammersee, Germany, Telephone: (49) 08152-3750, Fax: (49) 08152-2658

France: Hamamatsu Photonics France S.A.R.L.: 19, Rue du Saule Trapu, Parc du Moulin de Massy, 91882 Massy Cedex, France, Telephone: 33-(1) 69 53 71 00, Fax: 33-(1) 69 53 71 10

United Kingdom: Hamamatsu Photonics UK Limited: 2 Howard Court, 10 Tewin Road, Welwyn Garden City, Hertfordshire AL7 1BW, United Kingdom, Telephone: (44) 1707-294888, Fax: (44) 1707-325777

North Europe: Hamamatsu Photonics Norden AB: Smidesvägen 12, SE-171 41 Solna, Sweden, Telephone: (46) 8-509-031-00, Fax: (46) 8-509-031-01

Italy: Hamamatsu Photonics Italia S.R.L.: Strada della Moia, 1/E, 20020 Arese, (Milano), Italy, Telephone: (39) 02-935-81-733, Fax: (39) 02-935-81-741

Cat. No. KSPD1003E06
 Aug. 2006 DN