

DB ELECTRO^{CO., LTD.}

Présente / Presents:

NINGBO HUAGUAN ELECTRONICS CO., LTD.



JQX-102F



30.5×16.0×23.5 30.5×16.0×26.5



03001003507



R2133344 c ^{us} E158859

Features

- Can be welded directly onto PCB.
- Used in household appliances like air conditioning , heater and instruments etc.

Ordering Information

JQX-102F A Z 20 b DC12V C 0.9

1 2 3 4 5 6 7 8

1 Part number: JQX-102F	5 Terminal: b:PC type; NIL:PC type and QC type
2 Contact arrangement: A:1A	6 Coil rated voltage(V): DC:5,12,24,48
3 Enclosure: Z: Dust cover	7 Contact material: C:AgCdO; NIL:AgSnO ₂
4 Contact rating: Resistive:20A/250VAC;	8 Coil power consumption: 0.9:0.9W

Contact Data

Contact Arrangement		1A (SPSTNO)	
Contact Material		AgSnO ₂ AgCd	
Contact Rating(Resistive)		20A/250VAC	
Max. Switching Power		5000VA	
Max. Switching Voltage		300VAC	Max. Switching Current:20A
Contact Resistance or Voltage drop		<30mΩ (at 1A/14VDC)	Item 3.12 of IEC255-7
Operation life	Electrical	10 ⁵	Item 3.30 of IEC255-7
	Mechanical	2 × 10 ⁶	Item 3.31 of IEC255-7

Coil Parameter

Dash numbers	Coil voltage VDC		Coil resistance Ω ± 10%	Pick up voltage VDC(max) (70% of rated voltage)	Release voltage VDC(min) (10% of rated voltage)	Coil power consumption W	Operate Time ms	Release Time ms
	Rated	Max.						
005-900	5	6	27.8	3.5	0.5	0.9	<20	<10
012-900	12	14.4	160	8.4	1.2			
024-900	24	28.8	640	16.8	2.4			
048-500	48	57.6	2560	33.6	4.8			

- CAUTION:** 1.The use of any coil voltage less than the rated coil voltage will compromise the operation of the relay.
2.Pickup and release voltage are for test purposes only and are not to be used as design criteria.

Operation condition

Insulation Resistance	1000M Ω min (at 500VDC)	Item 7 of IEC255-5
Dielectric Strength Between contacts Between contact and coil	50Hz 1500V 50Hz 4500V Surge voltage:10kV	Item 6 of IEC255-5 Item 6 of IEC255-5 Item 8 of IEC255-5
Shock resistance	Functional:200m/s ² 11ms Survival:1000 m/s ² 11ms	IEC68-2-27 Test Ea
Vibration resistance	10~55Hz double amplitude Functional 1.5mm double amplitude Survival 2.0mm	IEC68-2-6 Test Fc IEC68-2-6 Test Fc
Terminals strength	10N 8N	IEC68-2-21 Test Ua1 and Ua2
Solderability	235 $^{\circ}$ C \pm 2 $^{\circ}$ C 3 \pm 0.5s	IEC68-2-20 Test Ta method 1
Ambient Temperature	-25~70 $^{\circ}$ C	
Relative Humidity	85% (at 40 $^{\circ}$ C)	IEC68-2-3Test Ca
Mass	23g	

Qualification inspection:

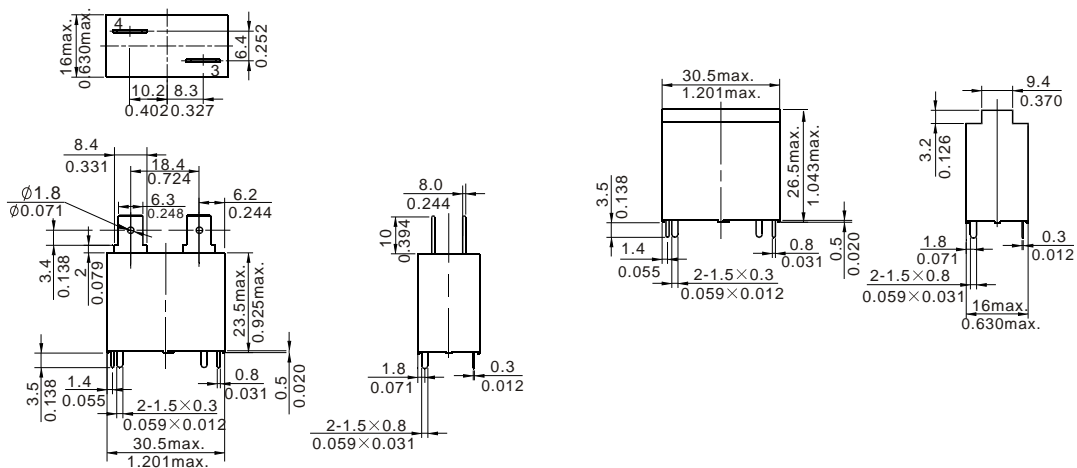
Perform the qualification test as specified in the table IV of IEC255-19-1 and minimum sample size 24.

Safety approvals

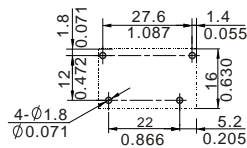
Safety approval	UL&CUR	TUV	CQC
Load	20A/250VAC	20A/250VAC COS ϕ =0.9	20A/250VAC

Dimensions

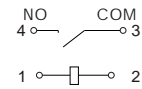
mm /inch



Dimensions



Mounting (Bottom view)



Wiring diagram
(Bottom view)

NOTES 1).Dimensions are in millimeters.
2).Inch equivalents are given for general information only.