

XC6216/XE6216 Series



Voltage Regulators with Stand-by Function - Input Voltage: 30V

Preliminary

- ◆ Input Voltage Range : 2.0V~25.0V
- ◆ Output Voltage Range : 2.0V~12.0V
(XC6216B/XE6216B)
2.0V~23.0V
(XC6216C/XE6216C)
2.0V~12.0V
(XC6216D/XE6216D)
- ◆ Output Current : 150mA~($V_{OUT(T)} \geq 3.0V$)
: 100mA~($V_{OUT(T)} < 3.0V$)
($V_{IN} = V_{OUT(T)} + 3.0V$)
- ◆ Current Limit Circuit Built-In
- ◆ Thermal Shutdown Circuit Built-In
- ◆ Ceramic Capacitor Compatible

* XC6216B and C types are preliminary.

GENERAL DESCRIPTION

XC6216/XE6216 series are highly precise, low noise, positive regulator ICs. The series consists of a voltage reference, an error amplifier, a current limiter, a thermal shutdown circuit and a phase compensation circuit plus a driver transistor.

The output voltage is selectable in 100mV increments within the range of 2.0V to 12V using laser trimming technologies (XC6216B/XE6216B series). Furthermore, with external resistors, the output voltage can be set from 2.0V to 23V (XC6216C/XE6216E series). The series' output stabilization capacitor (CL) is also compatible with low ESR ceramic capacitors.

The over current protection circuit and the thermal shutdown circuit are built-in. These two protection circuits will operate when the output current reaches current limit level or the junction temperature reaches temperature limit level.

The CE function enables the output to be turned off and the IC becomes a stand-by mode resulting in greatly reduced power consumption.

APPLICATIONS

- Car audio, Car navigation systems
- Note book computers, PDAs
- Home appliances
- AV equipment (Cameras, VCRs, etc.)
- Wireless communication equipment
(Cordless phones, etc.)

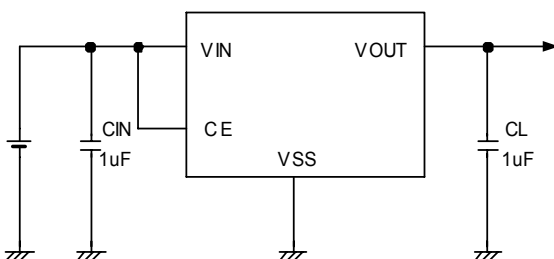
FEATURES

- Maximum Output Current** : More than 150mA (Up to 200mA)
($V_{IN} = V_{OUT(T)} + 3.0V$)
- Dropout Voltage** : 300mV@ $I_{OUT} = 20mA$
- Input Voltage Range** : 2.0V~25.0V
- Output Voltage Setting Range** : 2.0V~12.0V (100mV increments)
(With external resistors:
2.0V~23.0V)
- High Accuracy** : Setting Voltage Accuracy $\pm 2\%$
(Setting Voltage Accuracy $\pm 1\%$
Possible)
- Low Power Consumption** : 5 μA
- Stand-by Current** : Less than 0.1 μA
- High Ripple Rejection** : 40dB@1kHz
- Operating Temperature Range** : -40°C~+85°C
- External Capacitor** : 0.1 μF ~1.0 μF capacitor recommended
(Internal phase compensation)
- Packages** : SOT-25, SOT-89, SOT-89-5,
USP-6C, SOT-223, TO-252

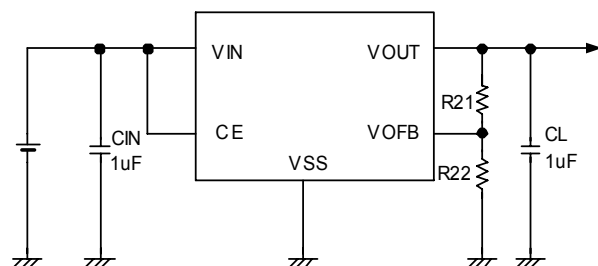
* XE series is the series corresponding to automotive applications, and is assuring all temperature between -40°C to +85 °C.

TYPICAL APPLICATION CIRCUITS

● XC6216B/XE6216B Series
(Fixed Output Voltage)

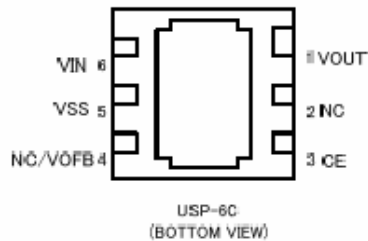
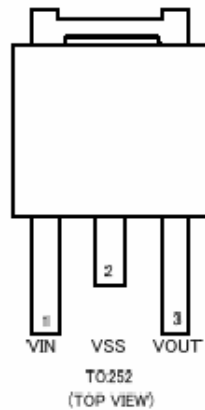
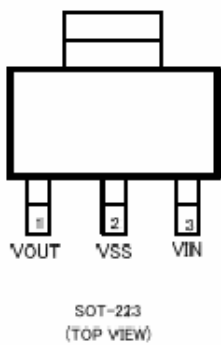
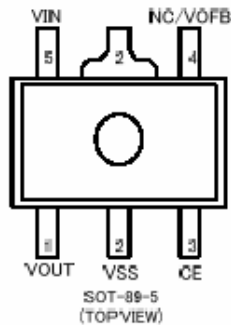
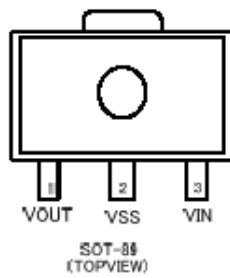
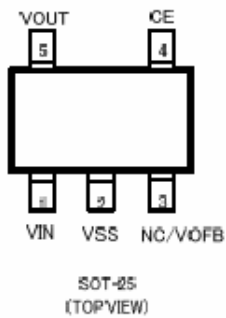


● XC6216C/XE6216C Series
(Output Voltage Externally Set)



XC6216/XE6216 Series

PIN CONFIGURATION



* The dissipation pad for the USP-6C package should be solder-plated in recommended mount pattern and metal masking so as to enhance mounting strength and heat release. If the pad needs to be connected to other pins, it should be connected to the Vss (PIN # 5).

PIN ASSIGNMENT

●XC6216B/XE6216B Series (Preliminary)

PIN NUMBER			PIN NAME	FUNCTIONS
SOT-25	SOT-89-5	USP-6C		
1	5	6	V _{IN}	Power Input
2	2	5	V _{SS}	Ground
3	4	4	NC	No connection
4	3	3	CE	ON/OFF Control
5	1	1	V _{OUT}	Output
-	-	2	NC	No connection

●XC6216C/XE6216C Series (Preliminary)

PIN NUMBER			PIN NAME	FUNCTIONS
SOT-25	SOT-89-5	USP-6C		
1	5	6	V _{IN}	Power Input
2	2	5	V _{SS}	Ground
3	4	4	V _{OFB}	Output Voltage Adjustment
4	3	3	CE	ON/OFF Control
5	1	1	V _{OUT}	Output
-	-	2	NC	No connection

●XC6216D Series

PIN NUMBER			PIN NAME	FUNCTIONS
SOT-89	SOT-223	TO-252		
3	3	1	V _{IN}	Power Input
2	2	2	V _{SS}	Ground
1	1	3	V _{OUT}	Output

■ PRODUCT CLASSIFICATION

● Ordering Information

XC6216①②③④⑤⑥

DESIGNATOR	DESCRIPTION	SYMBOL	DESCRIPTION
①	Type and Options of Regulators	B	: Fixed output voltage, High Active
		C	: Output voltage externally set, High Active
		D	: Fixed output voltage, No CE function
②③	Output Voltage	20 ~ 99	: For the voltage within 2.0V ~9.9V; e.g. 2.5V ⇒ 25 5.0V ⇒ 5.
		A, B, C	: For the voltage above 10.0V; e.g. 10.6V ⇒ A6 11.2V ⇒ B2 12.0V ⇒ C0
		20	: For C type (output voltage externally set), V _{OFB} =2.0V only
④	Output Voltage Accuracy	2	: Output voltage 100mV increments, Within ±2% accuracy e.g. 2.5V ⇒ ②=2, ③=5, ④=2
		1	: Output voltage 100mV increments, Within ±1% accuracy e.g. 5.0V ⇒ ②=5, ③=0, ④=1
⑤	Package	M	: SOT-25 (for B and C types only)
		P	: SOT-89 (for D type only)
		P	: SOT-89-5 (for B and C types only)
		E	: USP-6C (for B and C types only)
		F	: SOT-223 (for D type only)
		J	: TO-252 (for D type only)
⑥	Device Orientation	R	: Embossed tape, standard feed
		L	: Embossed tape, reverse feed

XE6216①②③④⑤⑥

DESIGNATOR	DESCRIPTION	SYMBOL	DESCRIPTION
①	Type and Options of Regulators	B	: Fixed output voltage, High Active
		C	: Output voltage externally set, High Active
②③	Output Voltage	20 ~ 99	: For the voltage within 2.0V ~9.9V; e.g. 2.5V ⇒ 25 5.0V ⇒ 5.
		A, B, C	: For the voltage above 10.0V; e.g. 10.6V ⇒ A6 11.2V ⇒ B2 12.0V ⇒ C0
		20	: For C type (output voltage externally set), V _{OFB} =2.0V only
④	Output Voltage Accuracy	2	: Output voltage 100mV increments, Within ±2% accuracy e.g. 2.5V ⇒ ②=2, ③=5, ④=2
		1	: Output voltage 100mV increments, Within ±1% accuracy e.g. 5.0V ⇒ ②=5, ③=0, ④=1
⑤	Package	M	: SOT-25 (for B and C types only)
		P	: SOT-89 (for D type only)
		P	: SOT-89-5 (for B and C types only)
		E	: USP-6C (for B and C types only)
⑥	Device Orientation	R	: Embossed tape, standard feed
		L	: Embossed tape, reverse feed

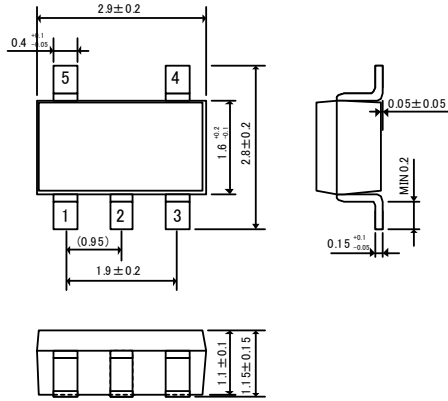
*1: The B and c types are preliminary.

*2: The XE products are preliminary.

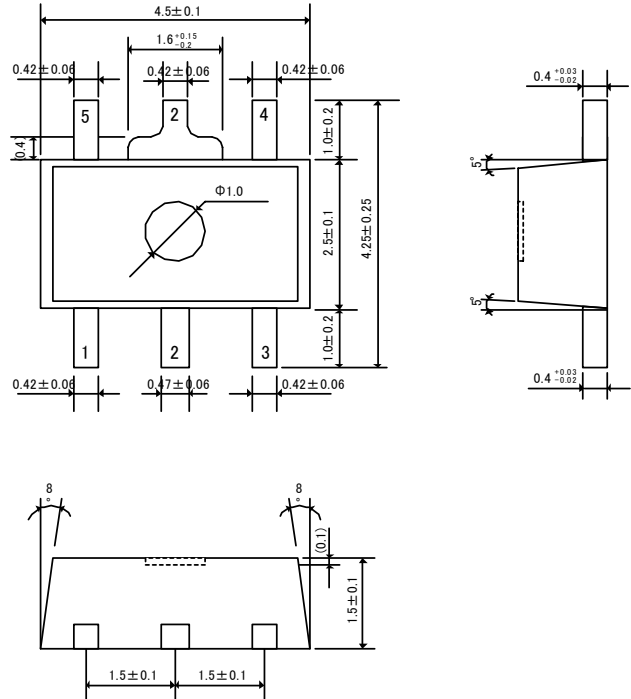
XC6216/XE6216 Series

PACKAGING INFORMATION

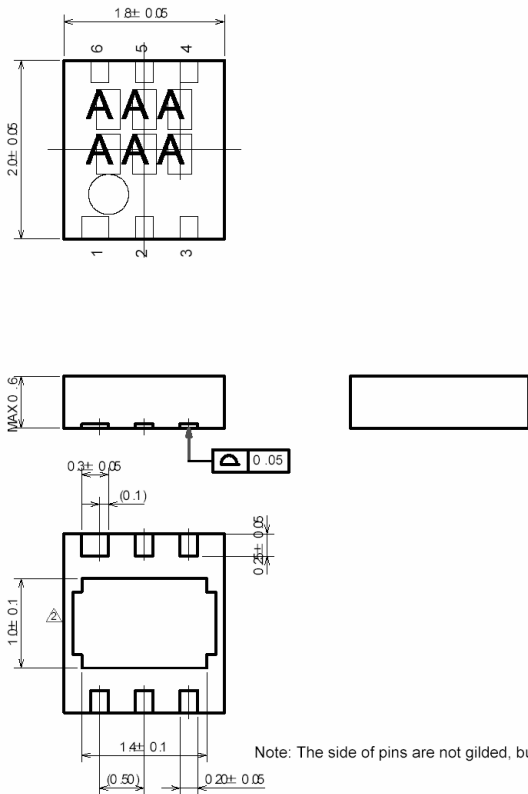
● SOT-25



● SOT-89-5

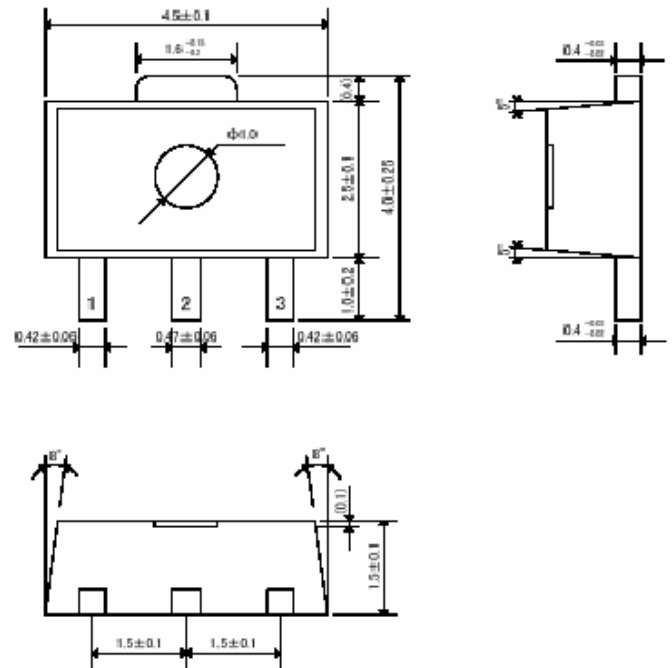


● USP-6C



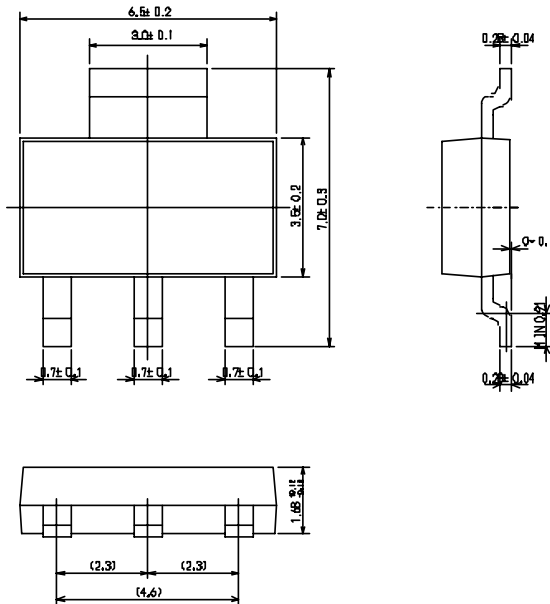
Note: The side of pins are not gilded, but nickel is used.

● SOT-89

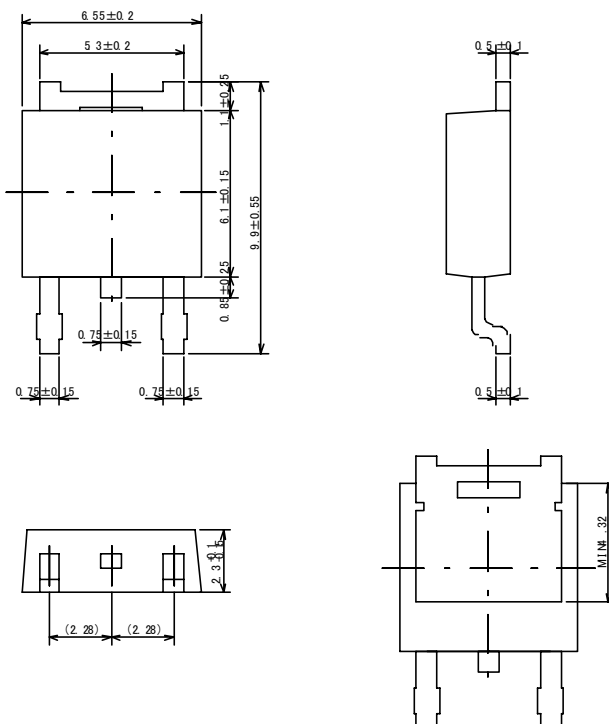


■ PACKAGING INFORMATION (Continued)

● SOT-223



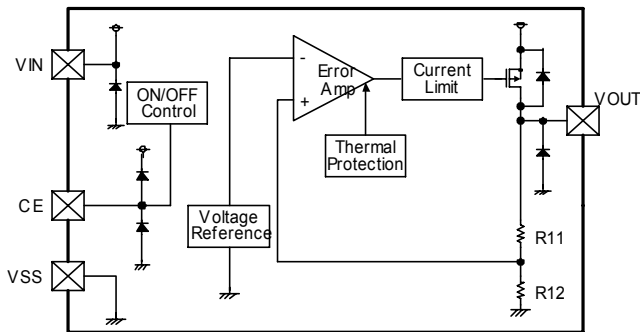
● TO-252



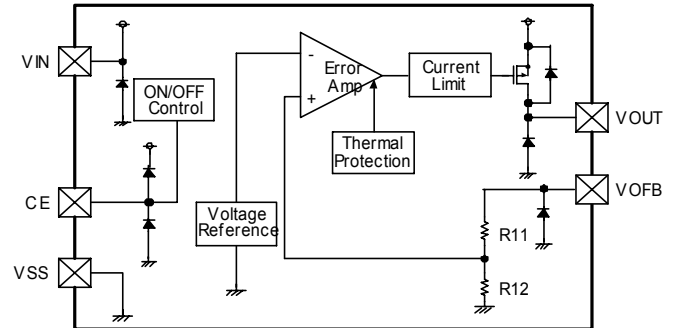
XC6216/XE6216 Series

■ BLOCK DIAGRAMS

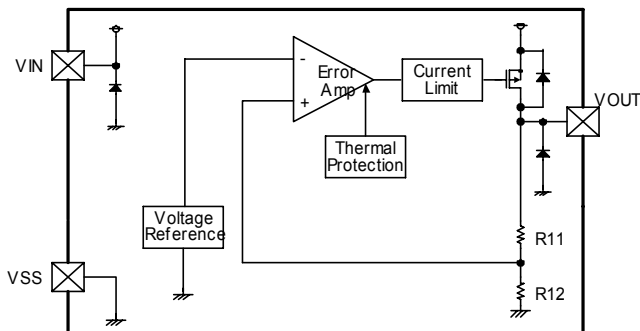
●XC6216B/XE6216B Series (SOT-25, SOT-89-5, USP-6C)



●XC6216C/XE6216C Series (SOT-25, SOT-89-5, USP-6C)



●XC6216D Series (SOT-89, SOT-223, TO-252)



■ABSOLUTE MAXIMUM RATINGS

PARAMETER	SYMBOL	RATINGS	UNIT
Input Voltage	V _{IN}	V _{SS} -0.3~30	V
Output Current	I _{OUT}	300 (*1)	mA
Output Voltage	V _{OUT}	V _{SS} -0.3~V _{IN} +0.3	V
CE Input Voltage	V _{CE}	V _{SS} -0.3~V _{IN} +0.3	V
FB Voltage	V _{OFB}	V _{SS} -0.3~30	V
Power Dissipation	SOT-25	Pd	mW (T _J =25°C)
	SOT-89		
	SOT-89-5		
	USP-6C		
	SOT-223		
	TO-252		
Operating Temperature Range	T _{opr}	-40~+85	°C
Storage Temperature Range	T _{stg}	-55~+125	°C

*1: $I_{OUT} \leq P_d / (V_{IN} - V_{OUT})$

*2: When mounting on glass epoxy.

Mounting board area: 1600mm² (40mm × 40mm)

Copper plate area: 800mm²

■ ELECTRICAL CHARACTERISTICS

● XC6216B Series

Ta = 25°C

PARAMETER	SYMBOL	CONDITIONS	MIN.	TYP.	MAX.	UNIT	CIRCUIT
Output Voltage	VOUT(E)	IOUT=20mA, VCE=VIN	x 0.98	VOUT(T)	x 1.02	V	①
Maximum Output Current	IOUTMAX	VIN=VOUT(T)+3.0V, VCE=VIN (VOUT(T)≥3V)	150	-	-	mA	①
		VIN=VOUT(T)+3.0V, VCE=VIN (VOUT(T)<3V)	100	-	-	mA	①
Load Regulation	ΔVOUT	VIN=VOUT(T)+2.0V 1mA≤IOUT≤100mA VCE=VIN	-	40	-	mV	①
Dropout Voltage 1	Vdif1	IOUT=20mA, VCE=VIN	-	300	-	mV	①
Dropout Voltage 2	Vdif2	IOUT=100mA, VCE=VIN	-	1000	-	mV	①
Supply Current	ISS	VCE=VIN	-	5	-	μA	②
Stand-by Current	Istby	VCE=VSS	-	0.01	0.10	μA	②
Line Regulation 1	ΔVOUT / ΔVIN · VOUT(T)	VOUT(T)+2.0V≤VIN≤25.0V IOUT=5mA, VCE=VIN	0.01	0.05	0.10	%/V	①
Line Regulation 2	ΔVOUT / ΔVIN · VOUT(T)	VOUT(T)+2.0V≤VIN≤25.0V IOUT=13mA, VCE=VIN	0.03	0.15	0.30	%/V	①
Input Voltage	VIN		2.0	-	25.0	V	-
Output Voltage Temperature Characteristics	ΔVOUT / ΔTopr · VOUT(T)	IOUT=20mA, VCE=VIN -40°C≤Topr≤85°C	-	±100	-	ppm/°C	①
Ripple Rejection Rate	PSRR	VIN=[VOUT(T)+2.0]V+0.5Vp-pAC IOUT=20mA, f=1kHz, VCE=VIN	-	40	-	dB	③
Short Current	Ishort	VIN=VOUT(T)+2.0V, VCE=VIN	-	30	-	mA	①
CE "H" Level Voltage	VCEH		1.0	-	VIN	V	①
CE "L" Level Voltage	VCEL		0	-	0.5	V	①
CE "H" Level Current	ICEH	VIN=VCE=25.0V	-0.1	-	0.1	μA	①
CE "L" Level Current	ICEL	VIN=25.0V, VCE=VSS	-0.1	-	0.1	μA	①

Thermal Shutdown Detect Temperature	TTSD	Junction Temperature	-	150	-	°C	-
Thermal Shutdown Release Temperature	TTSR	Junction Temperature	-	125	-	°C	-
Hysteresis Range	TTSD-TTSR		-	25	-	°C	-

NOTE:

*1: VOUT(T): Specified output voltage

*2: VOUT(E): Effective output voltage

(i.e. the output voltage when "VOUT(T)+2.0V" is provided at the VIN pin while maintaining a certain IOUT value.)

*3: Vdif={VIN^(Note 5) - VOUT₁^(Note 4)}

*4: VOUT₁: A voltage equal to 98% of the output voltage whenever an amply stabilized IOUT{VOUT(T)+2.0V} is input.

*5: VIN₁: The input voltage when VOUT₁ appears as input voltage is gradually decreased.

*6: Unless otherwise stated, VIN=VOUT(T)+2.0V.

XC6216/XE6216 Series

●XC6216C Series

Ta = 25°C

PARAMETER	SYMBOL	CONDITIONS	MIN.	TYP.	MAX.	UNIT	CIRCUIT
Output Voltage	V _{OUT(E)}	I _{OUT} =20mA, V _{CE} =V _{IN} , V _{OFB} =V _{OUT}	1.96	2.00	2.04	V	①
Divided Resistor	RFB	V _{IN} =V _{OUT} =5.0V, V _{CE} =V _{SS} V _{OFB} =V _{OUT}	-	2.09	-	Mohm	④
Maximum Output Current	I _{OUTMAX}	V _{IN} =V _{OUT(T)} +3.0V, V _{CE} =V _{IN} , V _{OFB} =V _{OUT}	100	-	-	mA	①
Load Regulation	ΔV _{OUT}	V _{IN} =V _{OUT(T)} +2.0V 1mA ≤ I _{OUT} ≤ 100mA V _{CE} =V _{IN} , V _{OFB} =V _{OUT}	-	40	-	mV	①
Dropout Voltage1	V _{dif1}	I _{OUT} =20mA, V _{CE} =V _{IN} , V _{OFB} =V _{OUT}	-	450	-	mV	①
Dropout Voltage2	V _{dif2}	I _{OUT} =100mA, V _{CE} =V _{IN} , V _{OFB} =V _{OUT}	-	2000	-	mV	①
Supply Current	I _{SS}	V _{CE} =V _{IN} , V _{OFB} =V _{OUT}	-	5	-	uA	②
Stand-by Current	I _{stby}	V _{CE} =V _{SS} , V _{OFB} =V _{OUT}	-	0.01	-	uA	②
Line Regulation1	$\frac{\Delta V_{OUT}}{\Delta V_{IN} \cdot V_{OUT(T)}}$	V _{OUT(T)} +2.0V ≤ V _{IN} ≤ 25.0V I _{OUT} =5mA, V _{CE} =V _{IN} , V _{OFB} =V _{OUT}	0.01	0.05	0.10	%/V	①
Line Regulation2	$\frac{\Delta V_{OUT}}{\Delta V_{IN} \cdot V_{OUT(T)}}$	V _{OUT(T)} +2.0V ≤ V _{IN} ≤ 25.0V I _{OUT} =13mA, V _{CE} =V _{IN} , V _{OFB} =V _{OUT}	0.03	0.15	0.30	%/V	①
Input Voltage	V _{IN}		2.0	-	25.0	V	-
Output Voltage Temperature Characteristics	$\frac{\Delta V_{OUT}}{\Delta T_{opr} \cdot V_{OUT(T)}}$	I _{OUT} =20mA, V _{CE} =V _{IN} -40°C ≤ T _{opr} ≤ 85°C	-	±100	-	ppm/°C	①
Ripple Rejection Rate	PSRR	V _{IN} =[V _{OUT(T)} +2.0]V+0.5V _{p-pAC} I _{OUT} =20mA, f=1kHz, V _{CE} =V _{IN} V _{OFB} =V _{OUT}	-	40	-	dB	③
Short Current	I _{short}	V _{IN} =V _{OUT(T)} +2.0V, V _{CE} =V _{IN} V _{OFB} =V _{OUT}	-	30	-	mA	①
CE "H" Level Voltage	V _{CEH}	V _{OFB} =V _{OUT}	1.0	-	V _{IN}	V	①
CE "L" Level Voltage	V _{CEL}	V _{OFB} =V _{OUT}	0	-	0.5	V	①
CE "H" Level Current	I _{CEH}	V _{IN} =V _{CE} =25.0V, V _{OFB} =V _{OUT}	-0.1	-	0.1	uA	①
CE "L" Level Current	I _{CEL}	V _{IN} =25.0V, V _{CE} =V _{SS} V _{OFB} =V _{OUT}	-0.1	-	0.1	uA	①

Thermal Shutdown Detect Temperature	T _{TSD}	Junction Temperature	-	150	-	°C	-
Thermal Shutdown Release Temperature	T _{TSR}	Junction Temperature	-	125	-	°C	-
Hysteresis Range	T _{TSD} -T _{TSR}		-	25	-	°C	-

NOTE:

*1: V_{OUT(T)}: Specified output voltage

*2: V_{OUT(E)}: Effective output voltage

(i.e. the output voltage when "V_{OUT(T)}+2.0V" is provided at the V_{IN} pin while maintaining a certain I_{OUT} value.)

*3: V_{OFB(E)}: Effective V_{OFB} pin voltage

*4: V_{dif}={V_{IN1}^{Note 5} - V_{OUT1}^{Note 4}}

*5: V_{OUT1}: A voltage equal to 98% of the output voltage whenever an amply stabilized I_{OUT}{V_{OUT(T)}+2.0V} is input.

*6: V_{IN1}: The input voltage when V_{OUT1} appears as input voltage is gradually decreased.

*7: Unless otherwise stated, V_{IN}=V_{OUT(T)}+2.0V.

■ ELECTRICAL CHARACTERISTICS (Continued)

● XC6216D Series

Ta = 25°C

PARAMETER	SYMBOL	CONDITIONS	MIN.	TYP.	MAX.	UNIT	CIRCUIT
Output Voltage	V _{OUT(E)}	I _{OUT} =20mA	x 0.98	V _{OUT(T)}	x 1.02	V	①
Maximum Output Current	I _{OUTMAX}	V _{IN} =V _{OUT(T)} +3.0V (V _{OUT(T)} ≥3.0V)	150	-	-	mA	①
		V _{IN} =V _{OUT(T)} +3.0V (V _{OUT(T)} <3.0V)	100	-	-	mA	①
Load Regulation	ΔV _{OUT}	V _{IN} =V _{OUT(T)} +2.0V 1mA≤I _{OUT} ≤100mA	-	40	-	mV	①
Dropout Voltage1	V _{dif1}	I _{OUT} =20mA	-	200	-	mV	①
Dropout Voltage2	V _{dif2}	I _{OUT} =100mA	-	1000	-	mV	①
Supply Current	I _{SS}		-	5	-	uA	②
Line Regulation1	$\frac{\Delta V_{OUT}}{\Delta V_{IN} \cdot V_{OUT(T)}}$	V _{OUT(T)} +2.0V≤V _{IN} ≤25.0V I _{OUT} =5mA	0.01	0.05	0.10	%/V	①
Line Regulation2	$\frac{\Delta V_{OUT}}{\Delta V_{IN} \cdot V_{OUT(T)}}$	V _{OUT(T)} +2.0V≤V _{IN} ≤25.0V I _{OUT} =13mA	0.03	0.15	0.30	%/V	①
Input Voltage	V _{IN}		2.0	-	25.0	V	-
Output Voltage Temperature Characteristics	$\frac{\Delta V_{OUT}}{\Delta T_{opr} \cdot V_{OUT(T)}}$	I _{OUT} =20mA, V _{CE} =V _{IN} -40°C≤T _{opr} ≤85°C	-	±100	-	ppm/°C	①
Ripple Rejection Rate	PSRR	V _{IN} =[V _{OUT(T)} +2.0]V+0.5V _{p-pAC} I _{OUT} =20mA, f=1kHz	-	40	-	dB	③
Short Current	I _{short}	V _{IN} =V _{OUT(T)} +2.0V	-	30	-	mA	①
Thermal Shutdown Detect Temperature	T _{TSD}	Junction Temperature	-	150	-	°C	-
Thermal Shutdown Release Temperature	T _{TSR}	Junction Temperature	-	125	-	°C	-
Hysteresis Range	T _{TSD} -T _{TSR}		-	25	-	°C	-

NOTE:

*1: V_{OUT(T)}: Specified output voltage

*2: V_{OUT(E)}: Effective output voltage

(i.e. the output voltage when "V_{OUT(T)}+2.0V" is provided at the V_{IN} pin while maintaining a certain I_{OUT} value.)

*3: V_{dif}={V_{IN1}^{Note 5} - V_{OUT1}^{Note 4}}

*4: V_{OUT1}: A voltage equal to 98% of the output voltage whenever an amply stabilized I_{OUT}{V_{OUT(T)}+2.0V} is input.

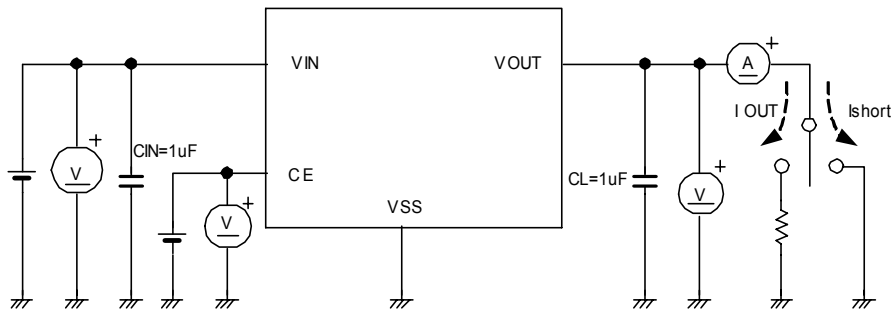
*5: V_{IN1}: The input voltage when V_{OUT1} appears as input voltage is gradually decreased.

*6: Unless otherwise stated, V_{IN}=V_{OUT(T)}+2.0V.

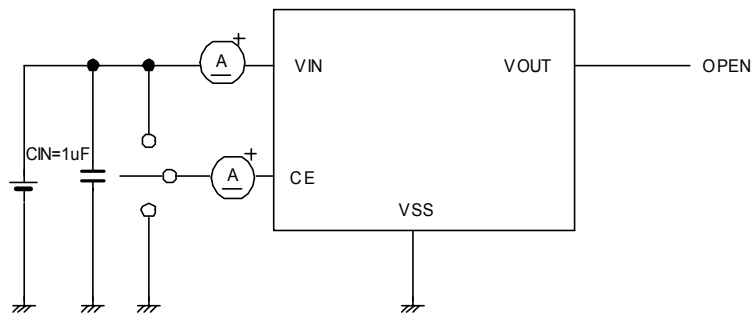
XC6216/XE6216 Series

TEST CIRCUITS

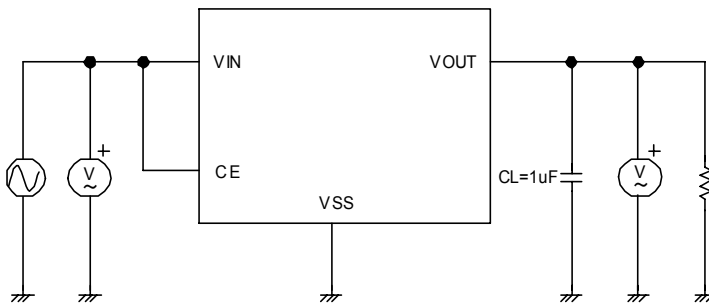
Circuit ①



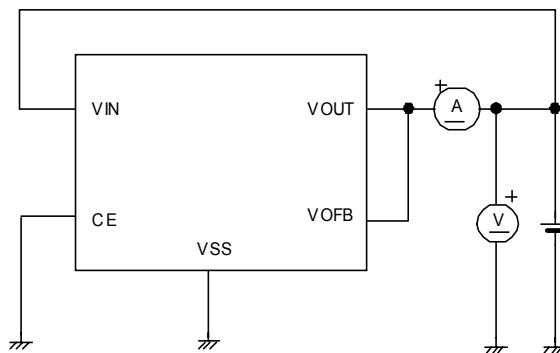
Circuit ②



Circuit ③



Circuit ④

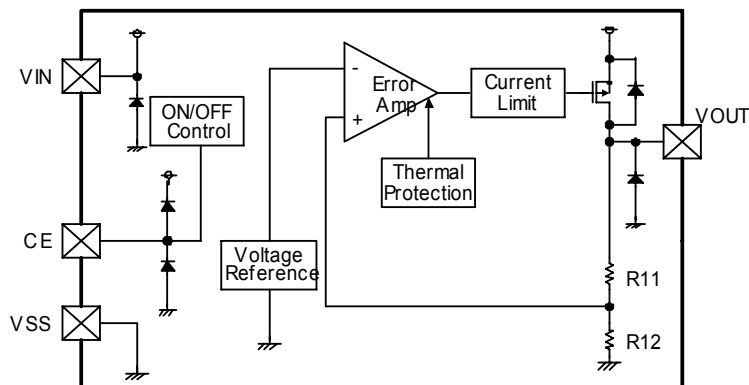


* For testing the XC6216C series, please set VOFB=VOUT.

OPERATIONAL EXPLANATION

<Output Voltage Control>

The voltage divided by resistors R11 & R12 is compared with the internal reference voltage by the error amplifier. The P-channel MOSFET, which is connected to the V_{OUT} pin, is then driven by the subsequent output signal. The output voltage at the V_{OUT} pin is controlled and stabilized by a system of negative feedback. The current limit circuit and short protect circuit operate in relation to the level of output current and heat dissipation. Further, the IC's internal circuitry can be shutdown via the CE pin's signal.



<Current Limiter, Short-Circuit Protection>

The XC6216/XE6216 series includes a current limit circuit, which aid the operations of the current limiter and circuit protection. When the load current reaches the current limit level, the fixed current limiter circuit operates and output voltage drops. The output voltage drops further and output current decreases. When the output pin is shorted, a current of about 30mA flows.

<CE Pin>

The IC's internal circuitry can be shutdown via the signal from the CE pin with the XC6216/XE6216 series. In shutdown mode, output at the V_{OUT} pin will be pulled down by R11 and R12 to the V_{SS} level. Note that as the standard XC6216/XE6216 series is 'High Active/No pull down', operations will become unstable with the CE pin open. We suggest that you use this IC with either a V_{IN} voltage or a V_{SS} voltage input at the CE pin. If this IC is used with the correct specifications for the CE pin, the operational logic is fixed and the IC will operate normally. However, supply current may increase as a result of through current in the IC's internal circuitry if a medium voltage is applied.

<Thermal Shutdown>

When the junction temperature of the built-in driver transistor reaches the temperature limit level (150°C TYP.), the thermal shutdown circuit operates and the driver transistor will be set to OFF. The IC resumes its operation when the thermal shutdown function is released and the IC's operation is automatically restored because the junction temperature drops to the level of the thermal shutdown release voltage.

<Minimum Operating Voltage>

For the stable operation of the IC, over 2.0V of input voltage is necessary. The output voltage may not be generated normally if the input voltage is less than 2.0V.

NOTES ON USE

1. Please use this IC within the stated absolute maximum ratings. The IC is liable to malfunction should the ratings be exceeded.
2. Where wiring impedance is high, operations may become unstable due to the noise and/or phase lag depending on output current. Please strengthen V_{IN} and V_{SS} wiring in particular.
3. Phase compensation inside the IC is performed in the XC6216/XE6216 series. Therefore, an abnormal oscillation does not occur even if there is no output capacitor C_L. An input capacitor C_{IN} around 0.1uF~1.0uF between the V_{IN} pin and the V_{SS} pin is required for input stability. Also, the output voltage fluctuation such as under shoot or over shoot, which occurs because of the load change can be controlled by placing the output capacitor C_L around 0.1uF~1.0uF between the V_{OUT} pin and V_{SS} pin. The input capacitor (C_{IN}) and the output capacitor (C_L) should be placed to the IC as close as possible with a shorter wiring.

1. The products and product specifications contained herein are subject to change without notice to improve performance characteristics. Consult us, or our representatives before use, to confirm that the information in this catalog is up to date.
2. We assume no responsibility for any infringement of patents, patent rights, or other rights arising from the use of any information and circuitry in this catalog.
3. Please ensure suitable shipping controls (including fail-safe designs and aging protection) are in force for equipment employing products listed in this catalog.
4. The products in this catalog are not developed, designed, or approved for use with such equipment whose failure of malfunction can be reasonably expected to directly endanger the life of, or cause significant injury to, the user.
(e.g. Atomic energy; aerospace; transport; combustion and associated safety equipment thereof.)
5. Please use the products listed in this catalog within the specified ranges.
Should you wish to use the products under conditions exceeding the specifications, please consult us or our representatives.
6. We assume no responsibility for damage or loss due to abnormal use.
7. All rights reserved. No part of this catalog may be copied or reproduced without the prior permission of Torex Semiconductor Ltd.

TOREX SEMICONDUCTOR LTD.