

XC62H Series



Positive Voltage Regulators (Output ON/OFF)

- ◆ CMOS Low Power Consumption
- ◆ Small Dropout : 0.18V @ 60mA
0.58V @ 160mA
- ◆ Maximum Output Current : 165mA (V_{OUT}=3.0V)
- ◆ Highly Accurate : ±2% (±1%)
- ◆ Output Voltage Range : 2.0V~6.0V
- ◆ Stand-by Supply Current : 0.1 μA (V_{OUT}=3.0V)
- ◆ SOT-25/SOT-89-5/USP-6B Package

■ GENERAL DESCRIPTION

The XC62H series are highly precise, low power consumption, positive voltage regulators, manufactured using CMOS and laser trimming technologies. The series consists of a high precision voltage reference, an error correction circuit, and an output driver with current limitation.

By way of the CE function, with output turned off, the series enters standby. In the stand-by mode, power consumption is greatly reduced.

SOT-25 (150mW), SOT-89-5 (500mW) and USP-6B (100mW) packages are available.

In relation to the CE function, as well as the positive logic XC62HR series, a negative logic XC62HP series (custom) is also available.

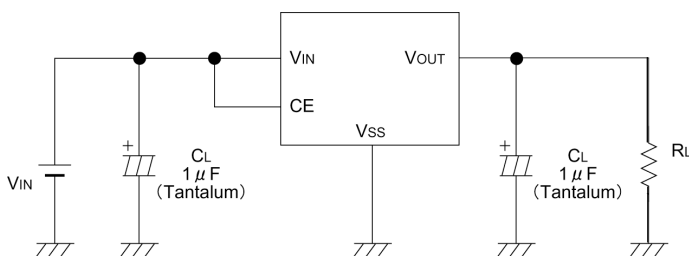
■ APPLICATIONS

- Battery powered equipment
- Voltage supplies for cellular phones
- Cameras, Video recorders
- Palmtops

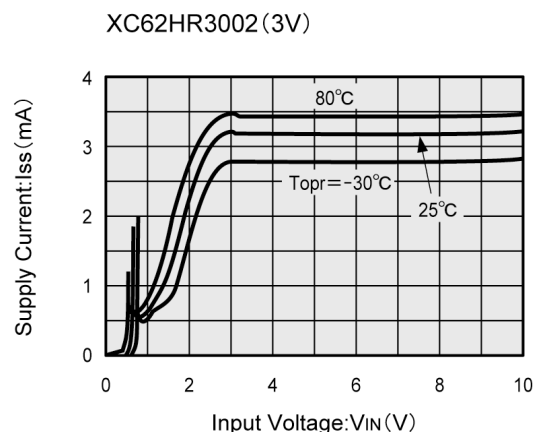
■ FEATURES

- Maximum Output Current** : 165mA (within max.power dissipation, V_{OUT}=3.0V)
- Output Voltage Range** : 2.0V ~ 6.0V in 100mV increments (1.5V ~ 1.9V semi-custom)
- Highly Accurate** : Set-up Voltage ±2% (±1% for semi-custom products)
- Low Power Consumption** : 3.0 μA (TYP.) (V_{OUT}=3.0, Output enabled)
0.1 μA (TYP.) (Output disabled)
- Output Voltage Temperature Characteristics** : ±100ppm / °C (TYP.)
- Line Regulation** : 0.2% / V (TYP.)
- Ultra Small Packages** : SOT-25 (150mW) mini-mold
SOT-89-5 (500mW) mini-power mold
USP-6B (100mW)

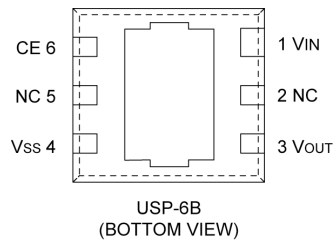
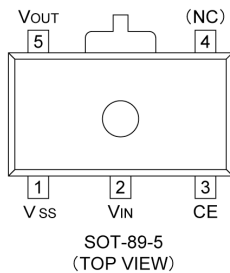
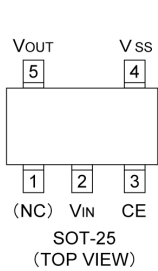
■ TYPICAL APPLICATION CIRCUIT



■ TYPICAL PERFORMANCE CHARACTERISTICS



PIN CONFIGURATION



*The dissipation pad for the USP-6B package should be solder-plated in recommended mount pattern and metal masking so as to enhance mounting strength and heat release. If the pad needs to be connected to other pins, it should be connected to the VIN pin.

PIN ASSIGNMENT

PIN NUMBER			PIN NAME	FUNCTION
SOT-25	SOT-89-5	USP-6B		
1	4	2, 5	(NC)	No Connection
2	2	1	VIN	Supply Voltage Input
3	3	6	CE	Chip Enable
4	1	4	VSS	Ground
5	5	3	VOU	Regulated Output Voltage

FUNCTION

SERIES	CE	VOLTAGE OUTPUT
XC62HR	H	ON
	L	OFF
XC62HP	H	OFF
	L	ON

H = High level
L = Low level

PRODUCT CLASSIFICATION

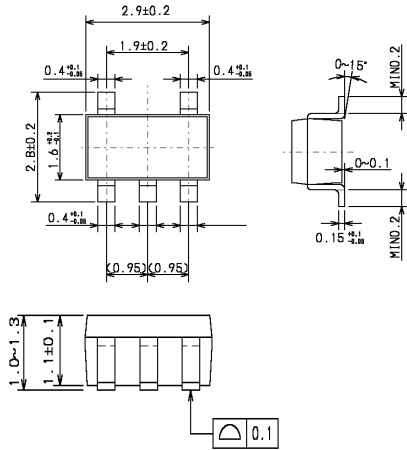
Ordering Information

XC62H①②③④⑤⑥⑦

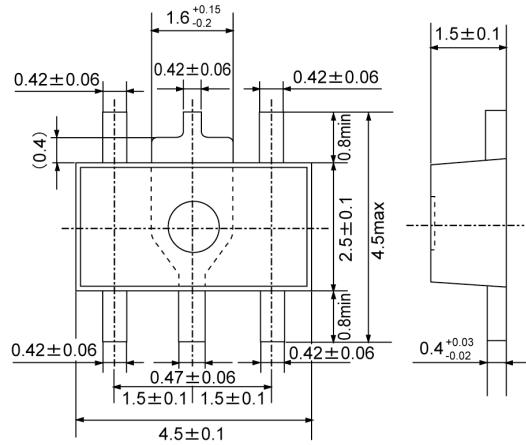
DESIGNATOR	DESCRIPTION	SYMBOL	DESCRIPTION
①	CE Pin Logic	R	: Positive
		P	: Negative (Custom)
② ③	Output Voltage	20~60	: e.g. VOUT 3.0V → ②=3, ③=0 VOUT 5.0V → ②=5, ③=0
④	Temperature Characteristics	0	: ± 100ppm (TYP.)
⑤	Output Voltage Accuracy	1	: ± 1% (semi-custom)
		2	: ± 2%
⑥	Package Type	M	: SOT-23
		P	: SOT-89-5
		D	: USP-6B
⑦	Device Orientation	R	: Embossed tape, standard feed
		L	: Embossed tape, reverse feed

PACKAGING INFORMATION

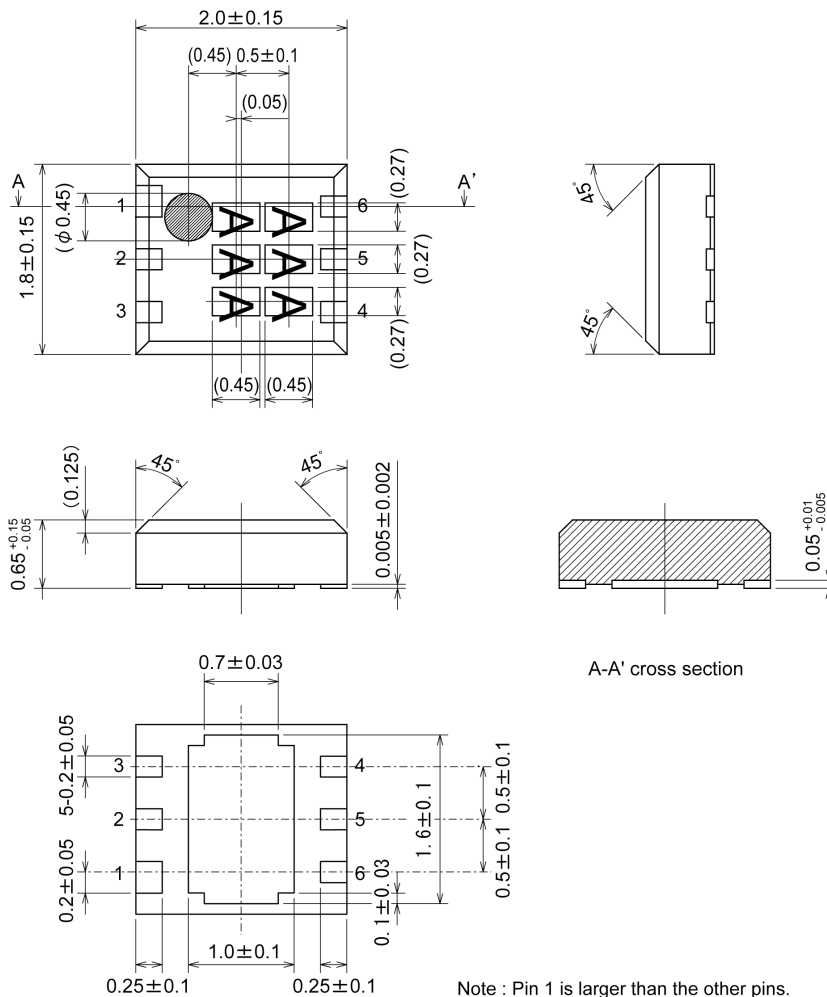
● SOT-25



● SOT-89-5

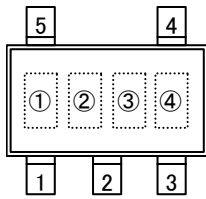


● USP-6B

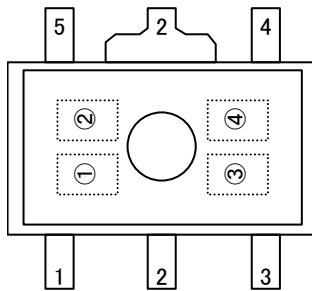


MARKING RULE

● SOT-25, SOT-89-5



SOT-25
(TOP VIEW)



SOT-89-5
(TOP VIEW)

① Represents integer of the output voltage

MARK	VOLTAGE (V)	MARK	VOLTAGE (V)
0	0.x	0	0.x
1	1.x	1	1.x
2	2.x	2	2.x
3	3.x	3	3.x
4	4.x	4	4.x
5	5.x	5	5.x
6	6.x	6	6.x
7	7.x	7	7.x
8	8.x	8	8.x
9	9.x	9	9.x

② Represents decimal number of the output voltage

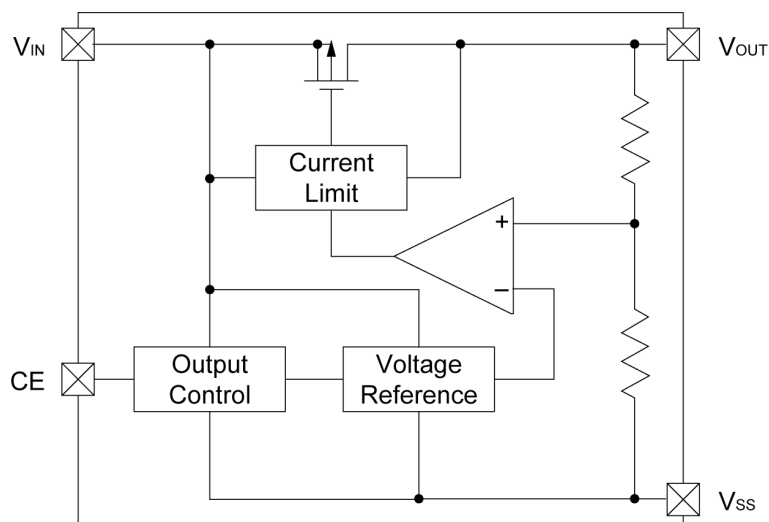
MARK	VOLTAGE (V)	MARK	VOLTAGE (V)
0	x.0	0	x.0
1	x.1	1	x.1
2	x.2	2	x.2
3	x.3	3	x.3
4	x.4	4	x.4
5	x.5	5	x.5
6	x.6	6	x.6
7	x.7	7	x.7
8	x.8	8	x.8
9	x.9	9	x.9

③ Based on internal standards

④ Represents assembly lot number.

0 to 9, A to Z repeated (G, I, J, O, Q, W excepted)

BLOCK DIAGRAM



■ ABSOLUTE MAXIMUM RATINGS

Ta=25°C

PARAMETER	SYMBOL	RATINGS	UNITS
Input Voltage	V _{IN}	12.0	V
Output Current	I _{OUT}	500	mA
Output Voltage	V _{OUT}	V _{SS} -0.3 ~ V _{IN} +1.3	V
CE Input Voltage	V _{CE}	V _{SS} -0.3 ~ V _{IN} +1.3	V
Power Dissipation	SOT-25	150	mW
	SOT-89-5	500	
	USP-6B	100	
Operating Temperature Range	Topr	-30 ~ +80	°C
Storage Temperature Range	Tstg	-40 ~ +25	°C

■ ELECTRICAL CHARACTERISTICS

 XC62HR2002 V_{OUT(T)}=2.0V (*1)

Ta=25°C

PARAMETER	SYMBOL	CONDITIONS	MIN.	TYP.	MAX.	UNITS	CIRCUIT
Output Voltage	V _{OUT(E)} (*2)	I _{OUT} =40mA V _{IN} =3.0V	1,960	2,000	2,040	V	1
Maximum Output Current	I _{OUT max}	V _{IN} =3.0V, V _{OUT(E)} ≥ 1.8V	115	-	-	mA	1
Load Regulation	ΔV _{OUT}	V _{IN} =3.0V 1mA ≤ I _{OUT} ≤ 60mA	-	45	90	mV	1
Dropout Voltage (*3)	V _{dif1}	I _{OUT} =40mA	-	180	360	mV	1
	V _{dif2}	I _{OUT} =100mA	-	580	880	mV	1
Supply Current 1	I _{SS1}	V _{IN} =V _{CE} =3.0V	-	2.9	7.9	μA	2
Supply Current 2	I _{SS2}	V _{IN} =3.0V, V _{CE} =V _{SS}	-	-	0.1	μA	2
Line Regulation	$\frac{\Delta V_{OUT}}{\Delta V_{IN} \cdot \Delta V_{OUT}}$	I _{OUT} =40mA 3.0V ≤ V _{IN} ≤ 10.0V	-	0.2	0.3	% / V	1
Input Voltage	ΔV _{IN}		-	-	10.0	V	-
Output Voltage Temperature Characteristics	$\frac{\Delta V_{OUT}}{\Delta T_{opr} \cdot \Delta V_{OUT}}$	I _{OUT} =40mA -30°C ≤ Topr ≤ 80°C	-	±100	-	ppm / °C	1
CE "High" Voltage	V _{CEH}		1.5	-	-	V	1
CE "Low" Voltage	V _{CEL}		-	-	0.25	V	1
CE "High" Current	I _{CEH}	V _{CE} =V _{IN}	-	-	0.1	μA	2
CE "Low" Current	I _{CEL}	V _{CE} =V _{SS}	-0.2	-0.05	0	μA	2

NOTE:

 *1: V_{OUT(T)}=Specified output voltage .

 *2: V_{OUT(E)}=Effective output voltage (i.e. the output voltage when "V_{OUT(T)}+1.0V" is provided at the V_{IN} pin while maintaining a certain I_{OUT} value).

 *3: V_{dif}= {V_{IN1} (*5)-V_{OUT1} (*4)}

 *4: V_{OUT1}= A voltage equal to 98% of the output voltage whenever an amply stabilized I_{OUT} {V_{OUT(T)}+1.0V} is input.

 *5: V_{IN1}= The input voltage when V_{OUT1} appears as input voltage is gradually decreased.

■ ELECTRICAL CHARACTERISTICS (Continued)

XC62HR3002 $V_{OUT(T)}=3.0V$ ^(*1)

$T_a=25^\circ C$

PARAMETER	SYMBOL	CONDITIONS	MIN.	TYP.	MAX.	UNITS	CIRCUIT
Output Voltage	$V_{OUT(E)}$ ^(*2)	$I_{OUT}=40mA$ $V_{IN}=4.0V$	2,940	3,000	3,060	V	1
Maximum Output Current	$I_{OUT\ max}$	$V_{IN}=4.0V, V_{OUT(E)} \geq 2.7V$	165	-	-	mA	1
Load Regulation	ΔV_{OUT}	$V_{IN}=4.0V$ $1mA \leq I_{OUT} \leq 80mA$	-	45	90	mV	1
Dropout Voltage ^(*3)	Vdif1	$I_{OUT}=60mA$	-	180	360	mV	1
	Vdif2	$I_{OUT}=160mA$	-	580	880	mV	1
Supply Current 1	ISS1	$V_{IN}=V_{CE}=4.0V$	-	3.0	8.0	μA	2
Supply Current 2	ISS2	$V_{IN}=4.0V, V_{CE}=V_{SS}$	-	-	0.1	μA	2
Line Regulation	$\frac{\Delta V_{OUT}}{\Delta V_{IN} \cdot \Delta V_{OUT}}$	$I_{OUT}=40mA$ $4.0V \leq V_{IN} \leq 10.0V$	-	0.2	0.3	% / V	1
Input Voltage	ΔV_{IN}		-	-	10.0	V	-
Output Voltage Temperature Characteristics	$\frac{\Delta V_{OUT}}{\Delta T_{opr} \cdot \Delta V_{OUT}}$	$I_{OUT}=40mA$ $-30^\circ C \leq T_{opr} \leq 80^\circ C$	-	± 100	-	ppm / $^\circ C$	1
CE "High" Voltage	V_{CEH}		1.5	-	-	V	1
CE "Low" Voltage	V_{CEL}		-	-	0.25	V	1
CE "High" Current	I_{CEH}	$V_{CE}=V_{IN}$	-	-	0.1	μA	2
CE "Low" Current	I_{CEL}	$V_{CE}=V_{SS}$	-0.2	-0.05	0	μA	2

XC62HR4002 $V_{OUT(T)}=4.0V$ ^(*1)

$T_a=25^\circ C$

PARAMETER	SYMBOL	CONDITIONS	MIN.	TYP.	MAX.	UNITS	CIRCUIT
Output Voltage	$V_{OUT(E)}$ ^(*2)	$I_{OUT}=40mA$ $V_{IN}=5.0V$	3,920	4,000	4,080	V	1
Maximum Output Current	$I_{OUT\ max}$	$V_{IN}=5.0V, V_{OUT(E)} \geq 3.6V$	200	-	-	mA	1
Load Regulation	ΔV_{OUT}	$V_{IN}=5.0V$ $1mA \leq I_{OUT} \leq 100mA$	-	45	90	mV	1
Dropout Voltage ^(*3)	Vdif1	$I_{OUT}=80mA$	-	170	340	mV	1
	Vdif2	$I_{OUT}=180mA$	-	560	840	mV	1
Supply Current 1	ISS1	$V_{IN}=V_{CE}=5.0V$	-	3.1	8.1	μA	2
Supply Current 2	ISS2	$V_{IN}=5.0V, V_{CE}=V_{SS}$	-	-	0.1	μA	2
Line Regulation	$\frac{\Delta V_{OUT}}{\Delta V_{IN} \cdot \Delta V_{OUT}}$	$I_{OUT}=40mA$ $5.0V \leq V_{IN} \leq 10.0V$	-	0.2	0.3	% / V	1
Input Voltage	ΔV_{IN}		-	-	10.0	V	-
Output Voltage Temperature Characteristics	$\frac{\Delta V_{OUT}}{\Delta T_{opr} \cdot \Delta V_{OUT}}$	$I_{OUT}=40mA$ $-30^\circ C \leq T_{opr} \leq 80^\circ C$	-	± 100	-	ppm / $^\circ C$	1
CE "High" Voltage	V_{CEH}		1.5	-	-	V	1
CE "Low" Voltage	V_{CEL}		-	-	0.25	V	1
CE "High" Current	I_{CEH}	$V_{CE}=V_{IN}$	-	-	0.1	μA	2
CE "Low" Current	I_{CEL}	$V_{CE}=V_{SS}$	-0.2	-0.05	0	μA	2

NOTE:

*1: $V_{OUT(T)}$ =Specified output voltage .

*2: $V_{OUT(E)}$ =Effective output voltage (i.e. the output voltage when " $V_{OUT(T)}+1.0V$ " is provided at the V_{IN} pin while maintaining a certain I_{OUT} value).

*3: $V_{dif} = \{V_{IN1}^{(*5)} - V_{OUT1}^{(*4)}\}$

*4: V_{OUT1} = A voltage equal to 98% of the output voltage whenever an amply stabilized I_{OUT} $\{V_{OUT(T)}+1.0V\}$ is input.

*5: V_{IN1} = The input voltage when V_{OUT1} appears as input voltage is gradually decreased.

■ ELECTRICAL CHARACTERISTICS (Continued)

 XC62HR5002 $V_{OUT(T)}=5.0V$ ^(*1)
 $T_a=25^{\circ}C$

PARAMETER	SYMBOL	CONDITIONS	MIN.	TYP.	MAX.	UNITS	CIRCUIT
Output Voltage	$V_{OUT(E)}$ ^(*2)	$I_{OUT}=40mA$ $V_{IN}=6.0V$	4,900	5,000	5,100	V	1
Maximum Output Current	$I_{OUT\ max}$	$V_{IN}=6.0V, V_{OUT(E)} \geq 4.5V$	220	-	-	mA	1
Load Regulation	ΔV_{OUT}	$V_{IN}=6.0V$ $1mA \leq I_{OUT} \leq 100mA$	-	40	80	mV	1
Dropout Voltage ^(*3)	V_{dif1}	$I_{OUT}=100mA$	-	165	320	mV	1
	V_{dif2}	$I_{OUT}=200mA$	-	540	820	mV	1
Supply Current1	I_{SS1}	$V_{IN}=V_{CE}=6.0V$	-	3.1	8.1	μA	2
Supply Current2	I_{SS2}	$V_{IN}=6.0V, V_{CE}=V_{SS}$	-	-	0.1	μA	2
Line Regulation	$\frac{\Delta V_{OUT}}{\Delta V_{IN} \cdot \Delta V_{OUT}}$	$I_{OUT}=40mA$ $6.0V \leq V_{IN} \leq 10.0V$	-	0.2	0.3	% / V	1
Input Voltage	ΔV_{IN}		-	-	10.0	V	-
Output Voltage Temperature Characteristics	$\frac{\Delta V_{OUT}}{\Delta T_{opr} \cdot \Delta V_{OUT}}$	$I_{OUT}=40mA$ $-30^{\circ}C \leq T_{opr} \leq 80^{\circ}C$	-	± 100	-	ppm / $^{\circ}C$	1
CE "High" Voltage	V_{CEH}		1.5	-	-	V	1
CE "Low" Voltage	V_{CEL}		-	-	0.25	V	1
CE "High" Current	I_{CEH}	$V_{CE}=V_{IN}$	-	-	0.1	μA	2
CE "Low" Current	I_{CEL}	$V_{CE}=V_{SS}$	-0.2	-0.05	0	μA	2

NOTE:

*1: $V_{OUT(T)}$ =Specified output voltage .

*2: $V_{OUT(E)}$ =Effective output voltage (i.e. the output voltage when " $V_{OUT(T)}+1.0V$ " is provided at the V_{IN} pin while maintaining a certain I_{OUT} value).

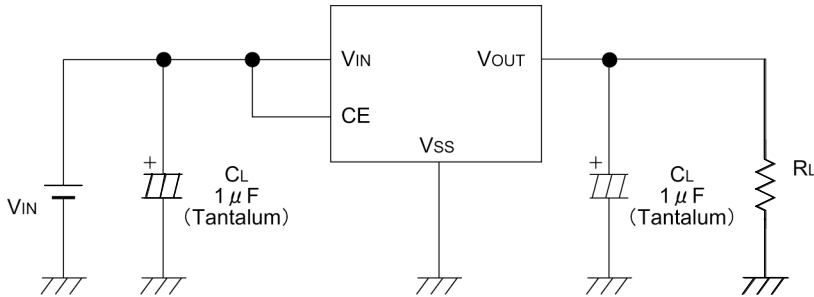
*3: $V_{dif} = \{V_{IN1}^{(*5)} - V_{OUT1}^{(*4)}\}$

*4: V_{OUT1} = A voltage equal to 98% of the output voltage whenever an amply stabilized I_{OUT} $\{V_{OUT(T)}+1.0V\}$ is input.

*5: V_{IN1} = The input voltage when V_{OUT1} appears as input voltage is gradually decreased.

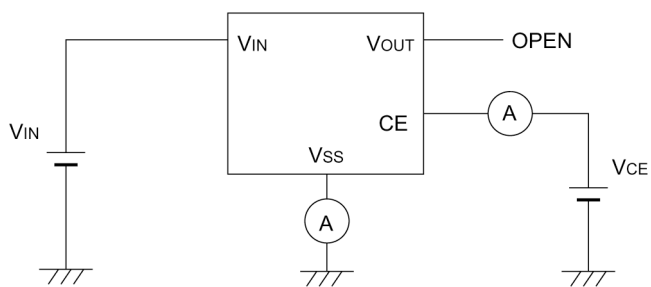
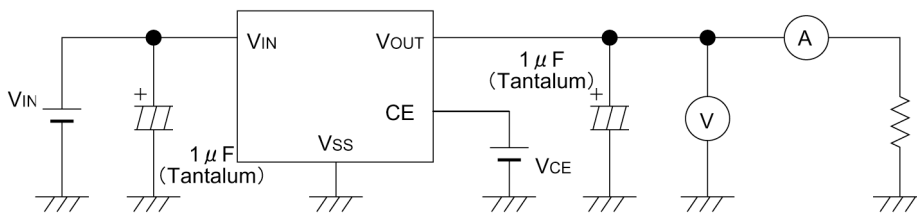
■ TYPICAL APPLICATION CIRCUIT

● Standard Circuit



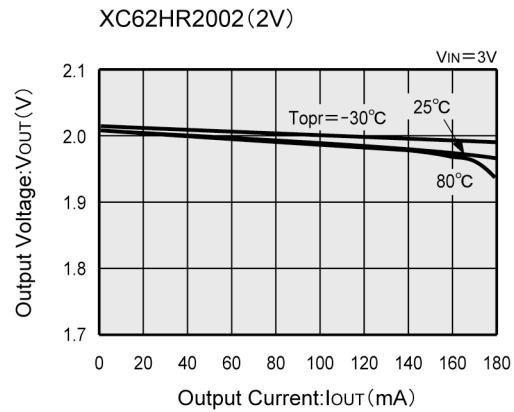
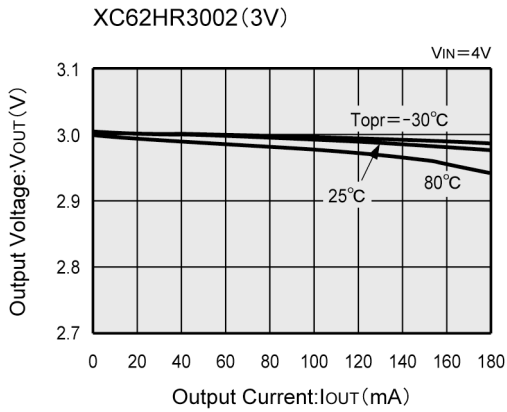
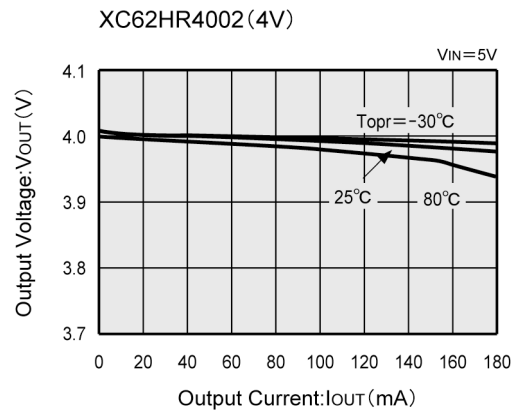
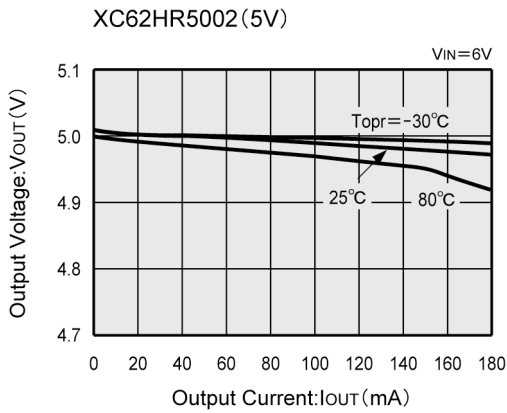
■ TEST CIRCUITS

Circuit 1

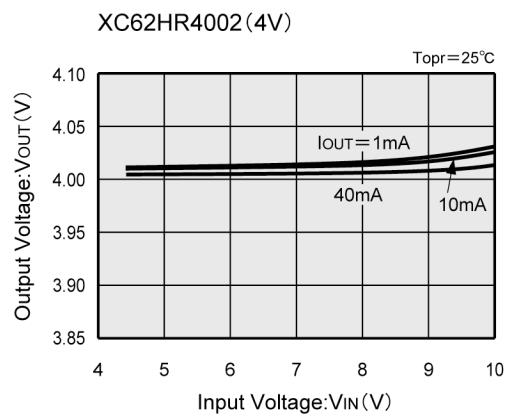
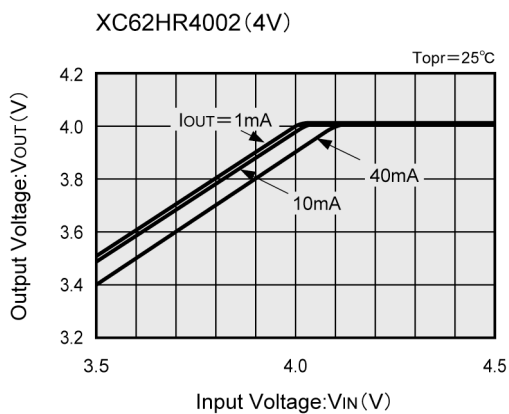
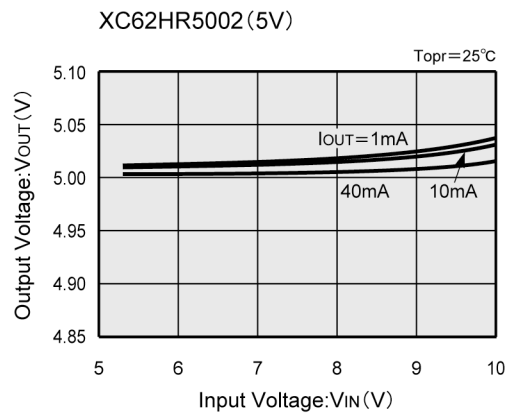
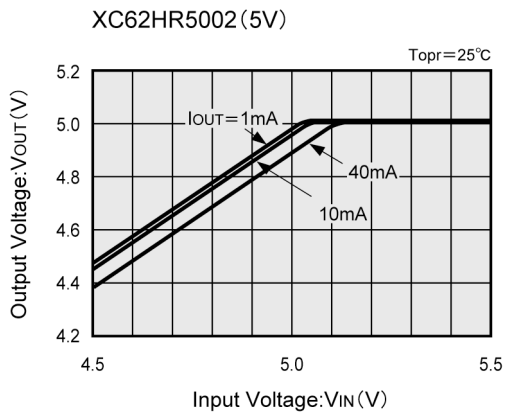


TYPICAL PERFORMANCE CHARACTERISTICS

(1) Output Voltage vs. Output Current

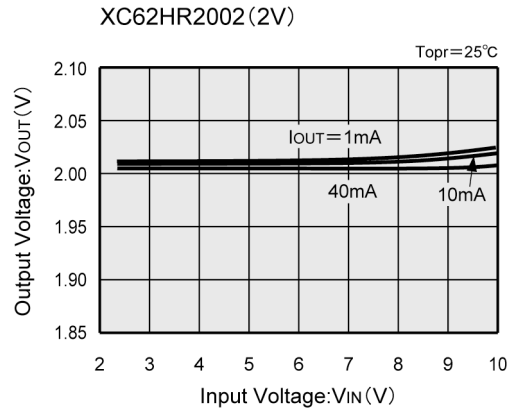
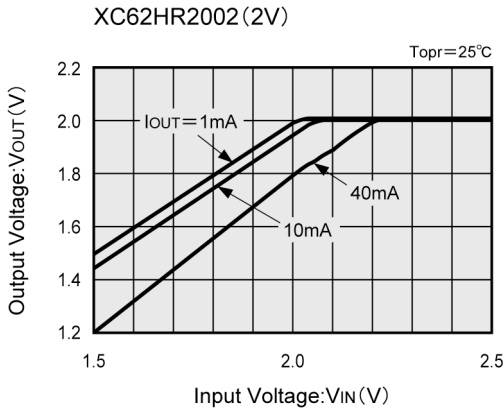
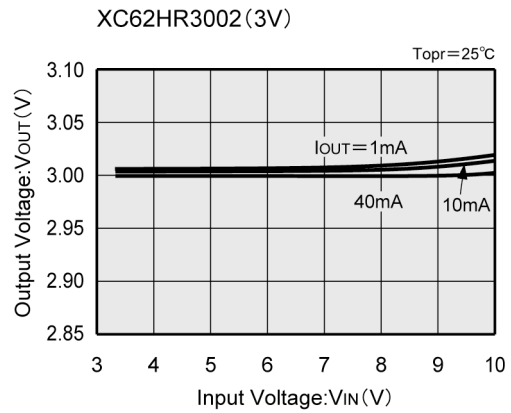
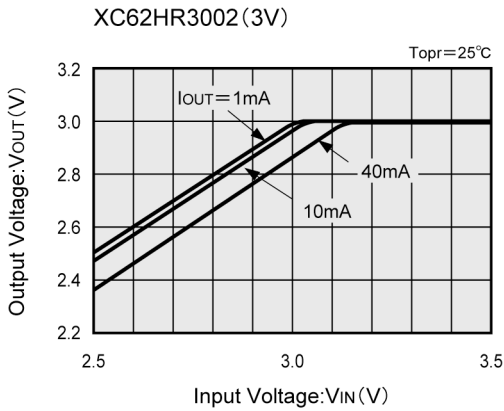


(2) Output Voltage vs. Input Voltage

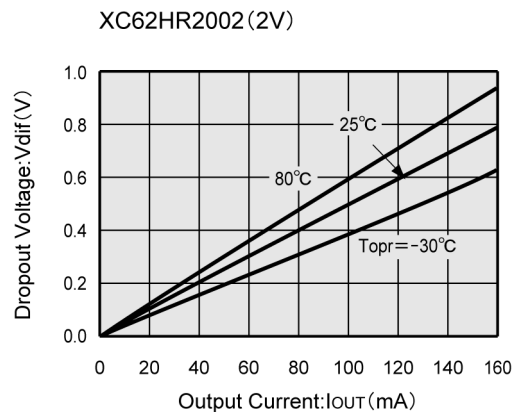
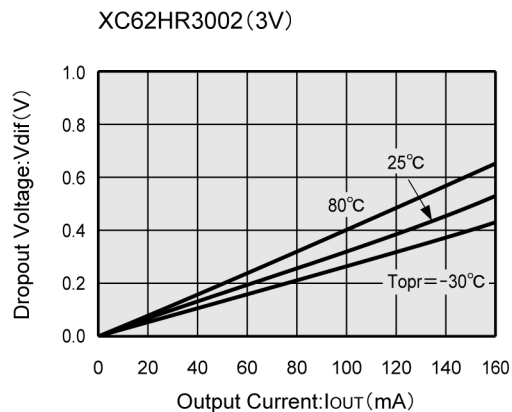
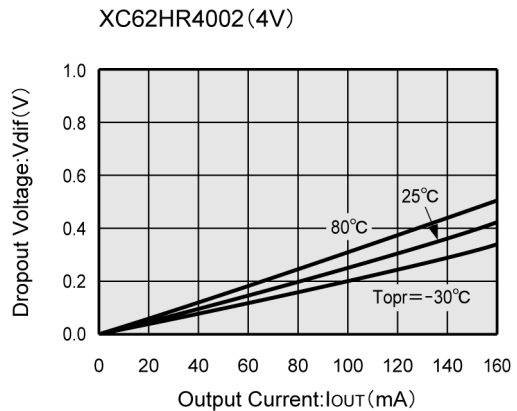
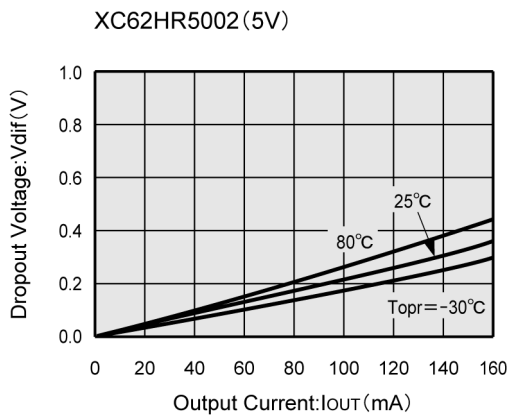


TYPICAL PERFORMANCE CHARACTERISTICS (Continued)

(2) Output Voltage vs. Input Voltage (Continued)

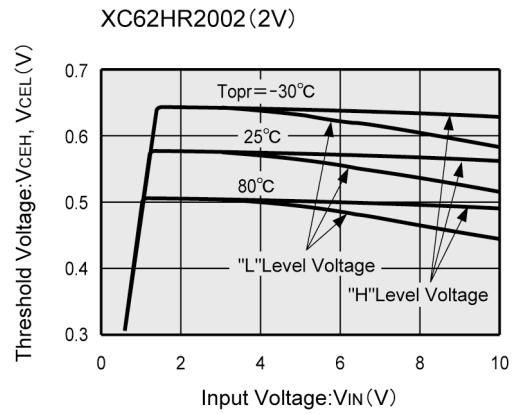
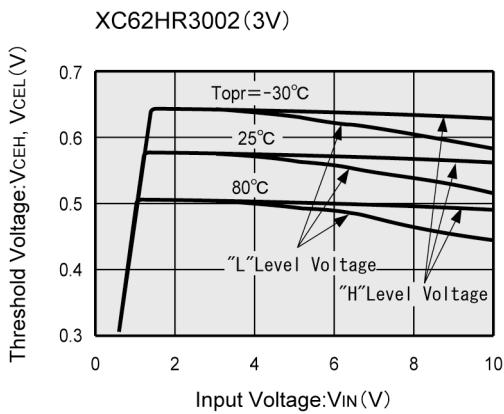
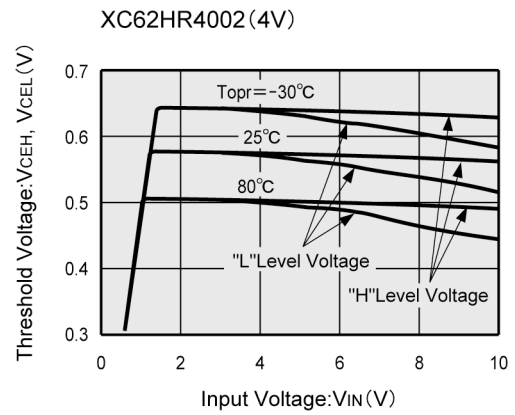
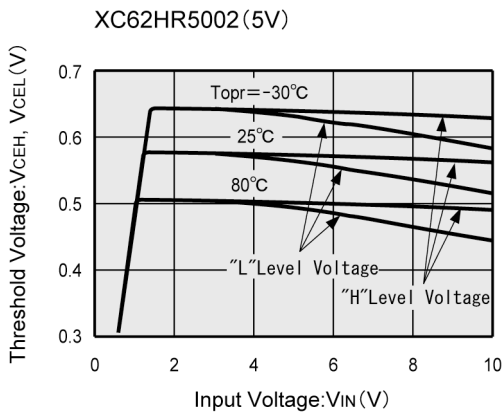


(3) Dropout Voltage vs. Output Current

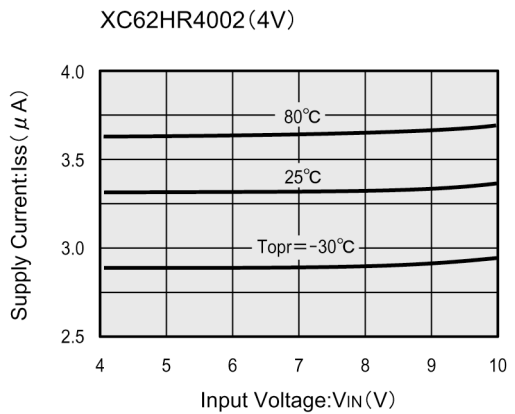
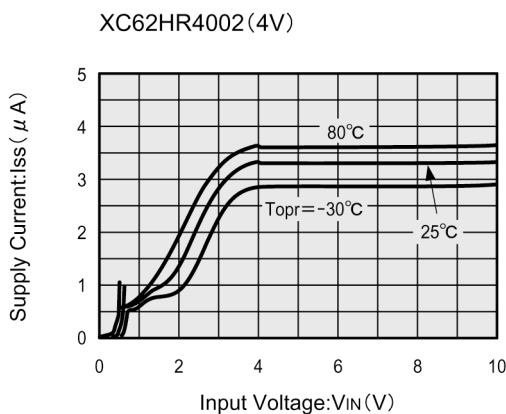
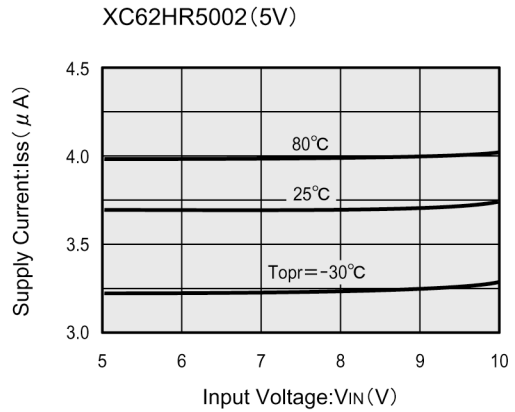
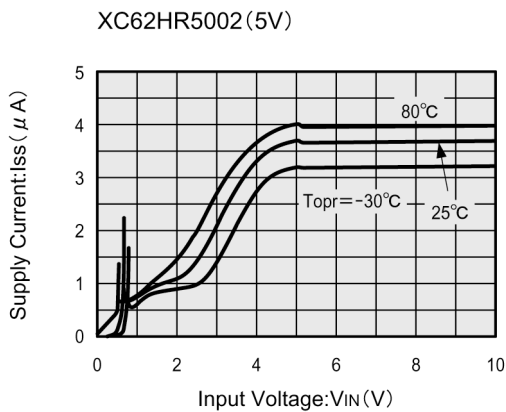


TYPICAL PERFORMANCE CHARACTERISTICS (Continued)

(4) CE Pin Threshold Voltage vs. Input Voltage

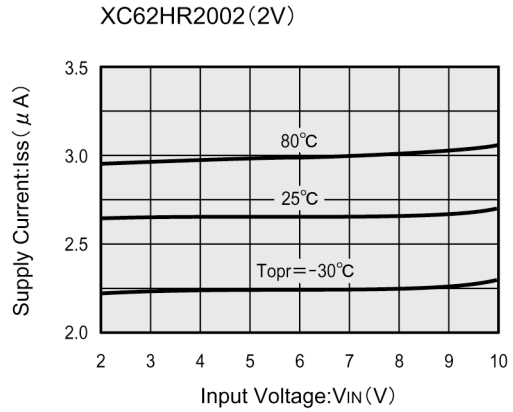
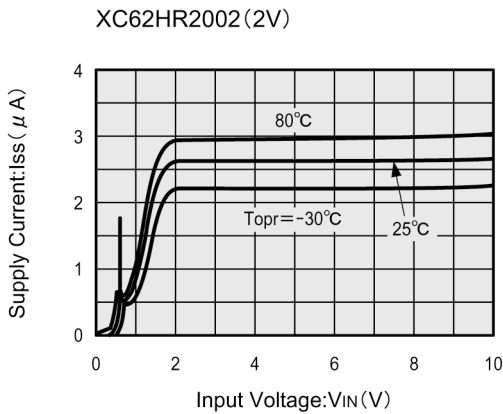
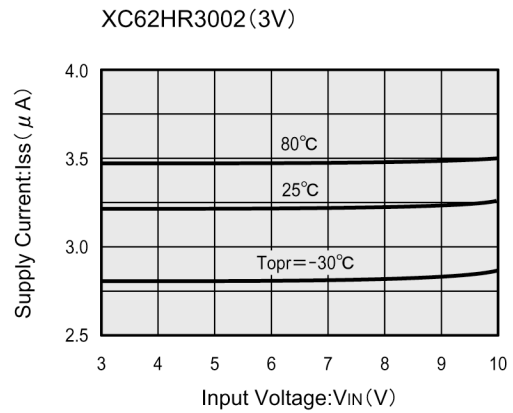
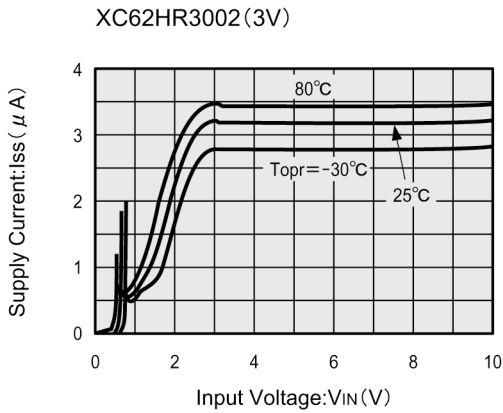


(5) Supply Current vs. Input Voltage

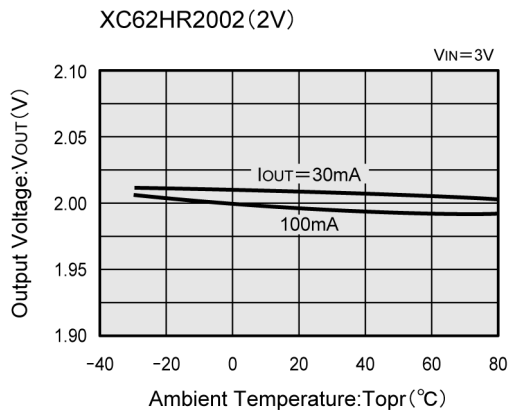
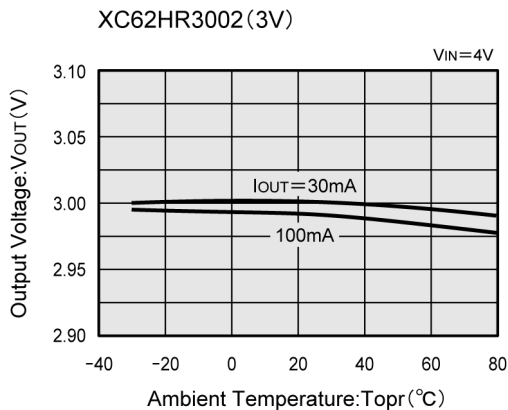
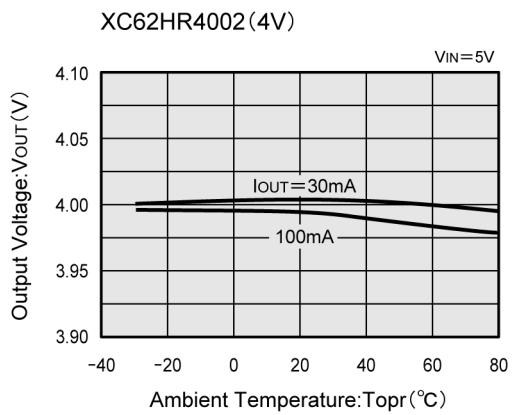
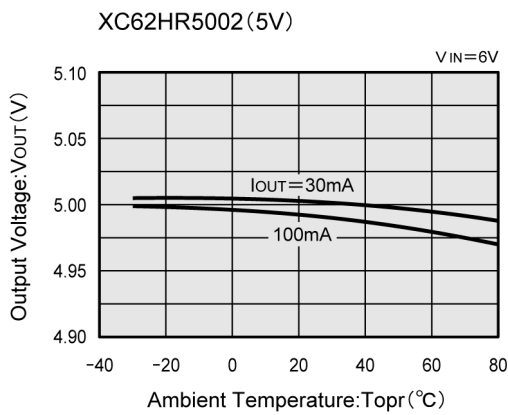


TYPICAL PERFORMANCE CHARACTERISTICS (Continued)

(5) Supply Current vs. Input Voltage (Continued)

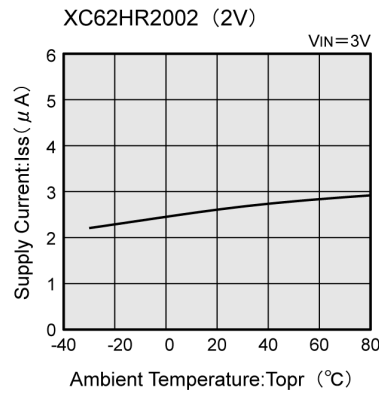
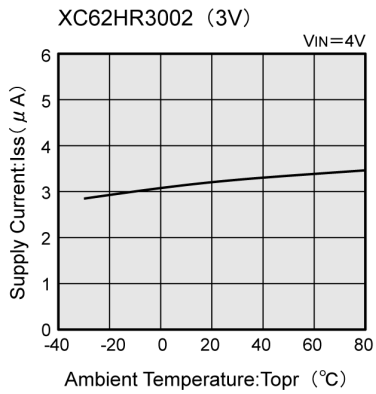
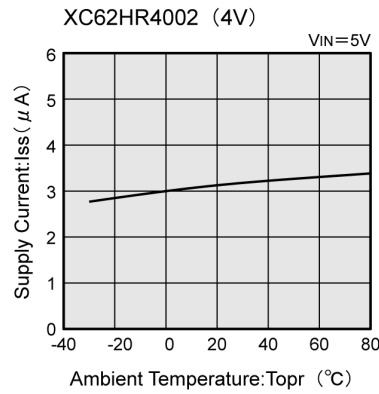
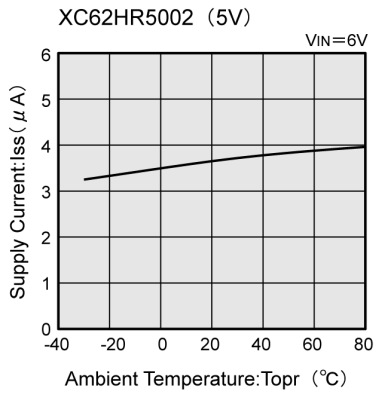


(6) Output Voltage vs. Ambient Temperature

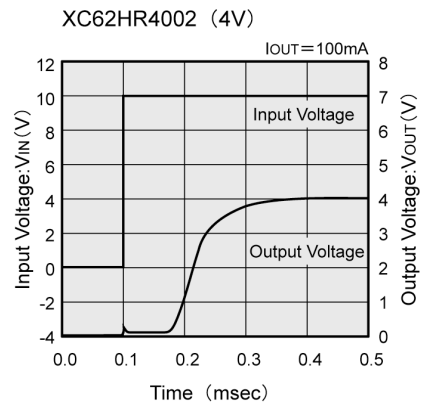
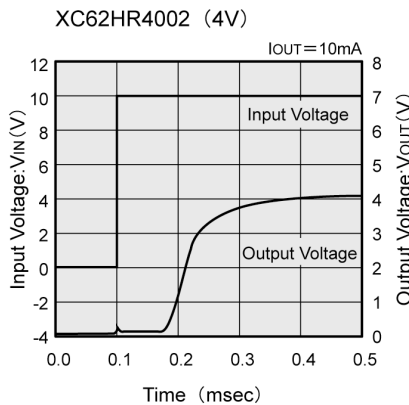
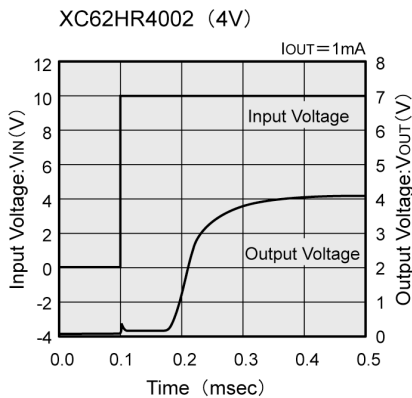
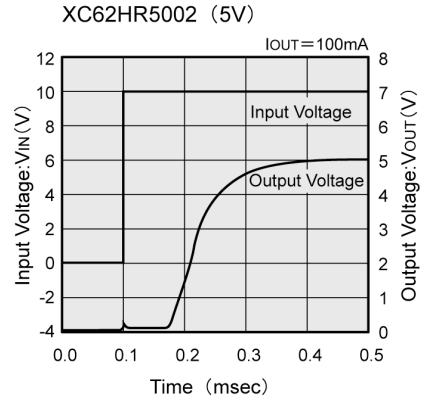
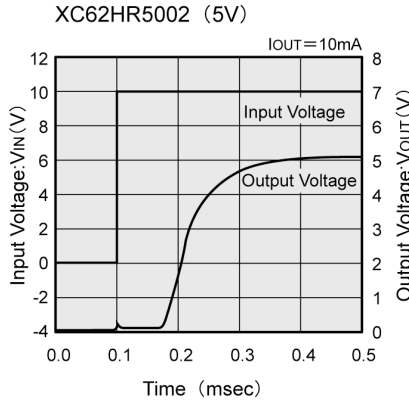
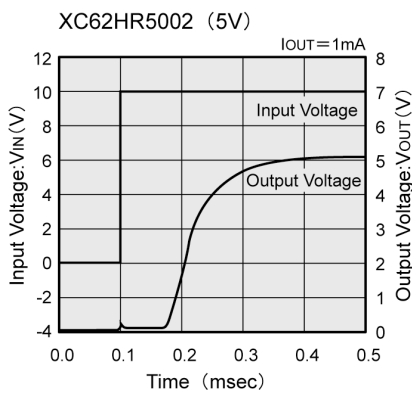


TYPICAL PERFORMANCE CHARACTERISTICS (Continued)

(7) Supply Current vs. Ambient Temperature

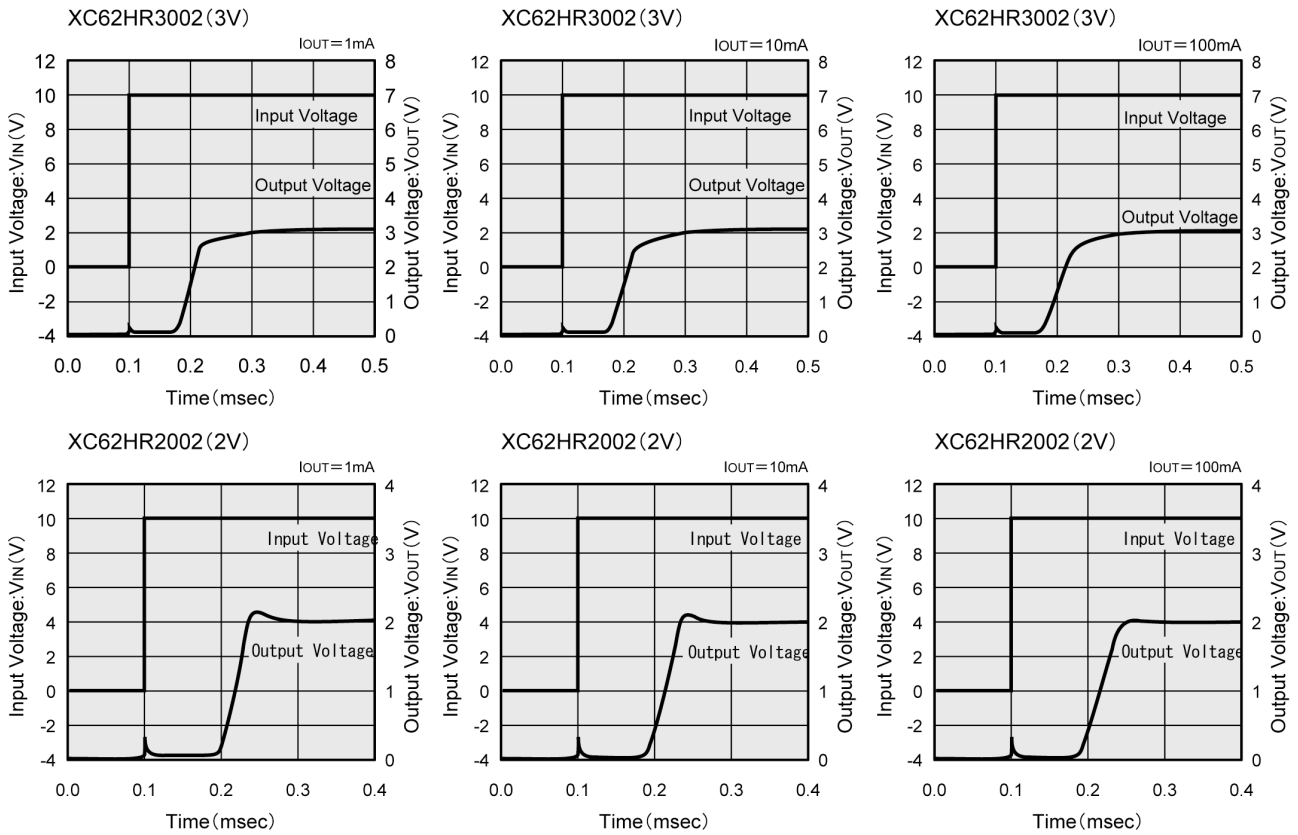


(8) Input Transient Response 1

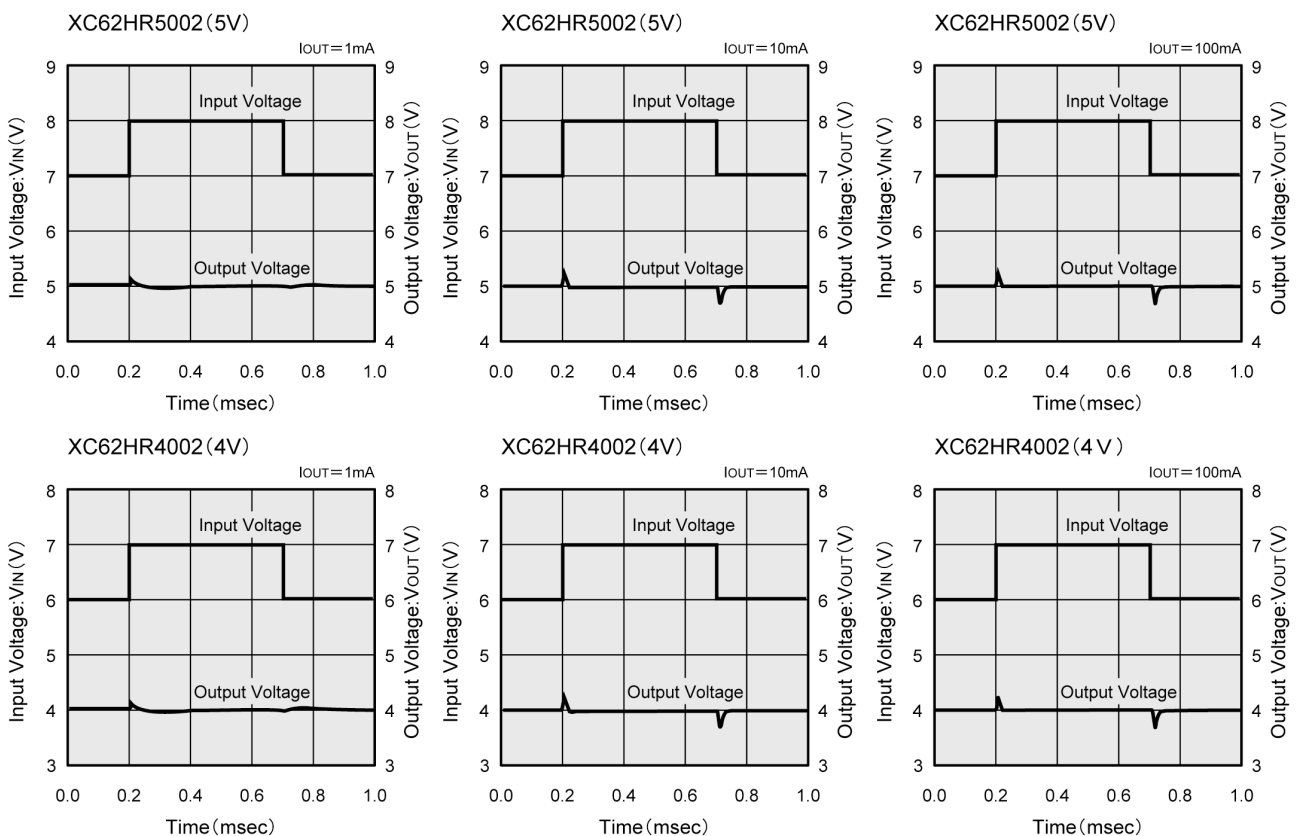


TYPICAL PERFORMANCE CHARACTERISTICS (Continued)

(8) Input Transient Response 1 (Continued)

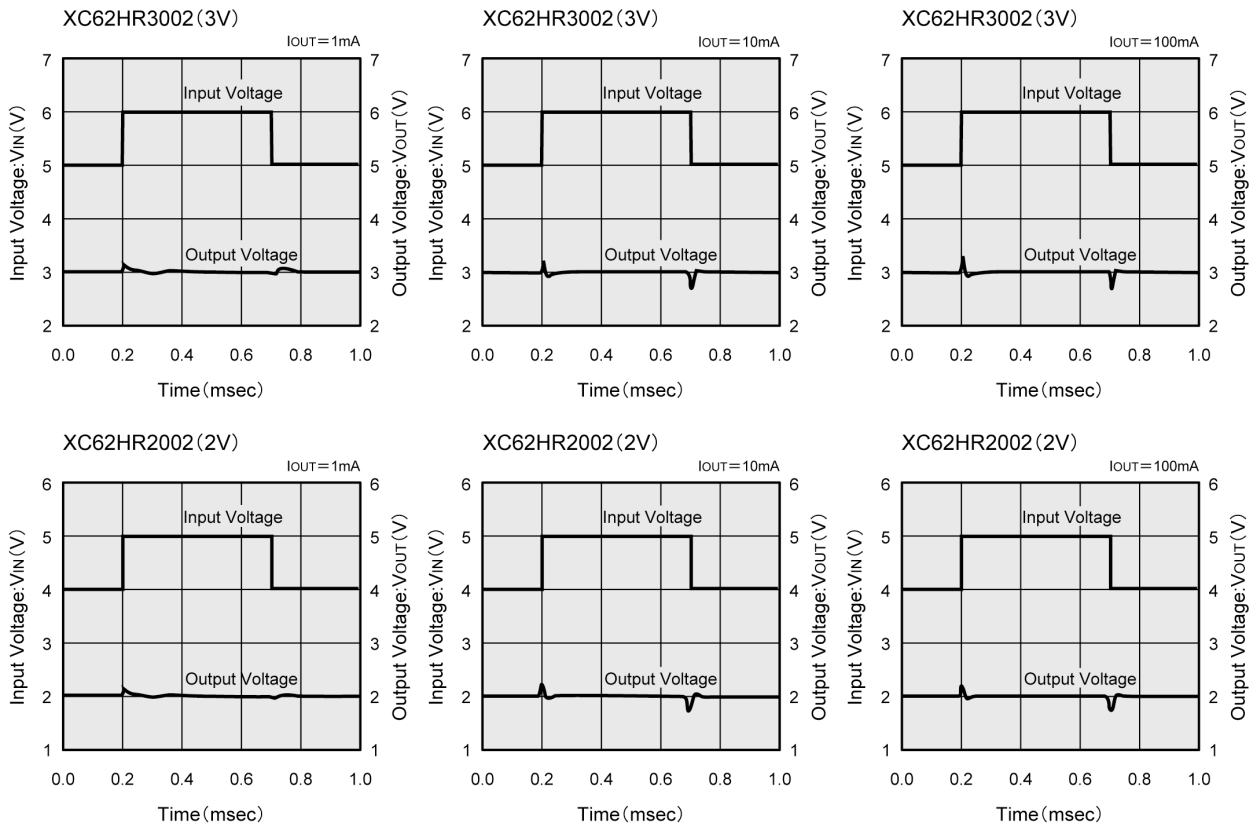


(9) Input Transient Response 2

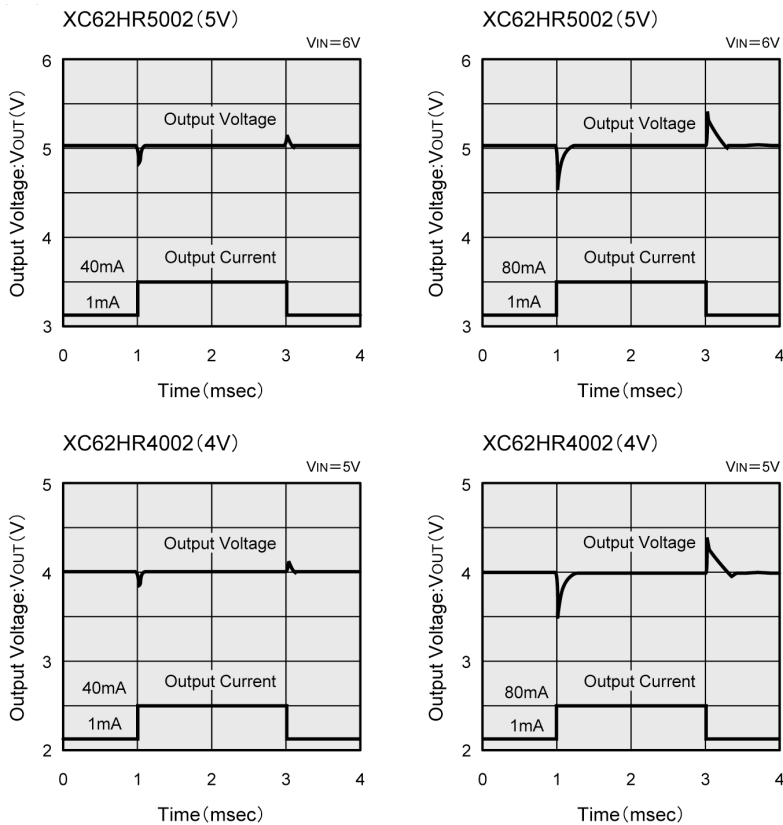


■ TYPICAL PERFORMANCE CHARACTERISTICS (Continued)

(9) Input Transient Response 2 (Continued)

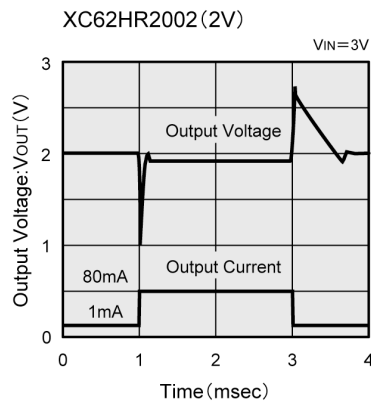
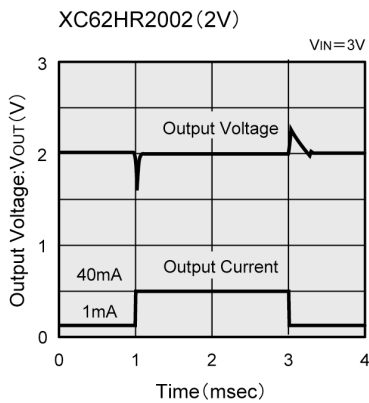
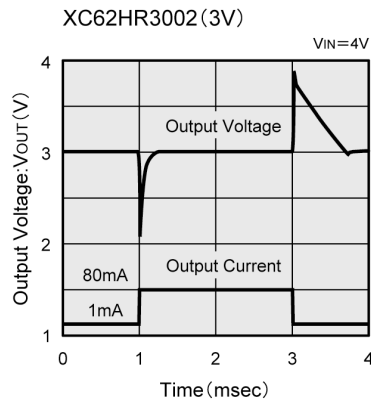
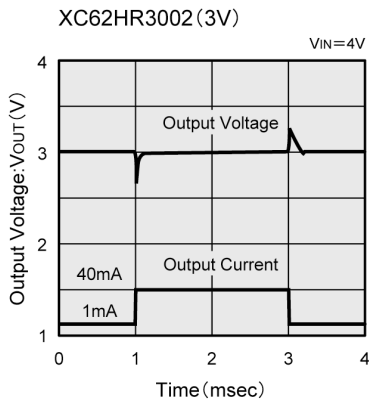


(10) Load Transient Response

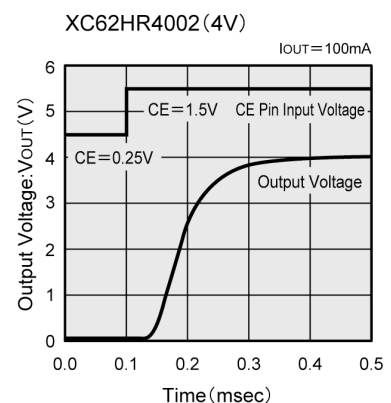
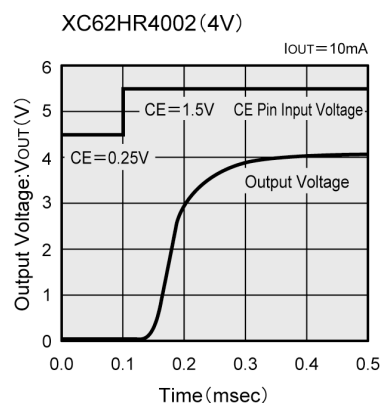
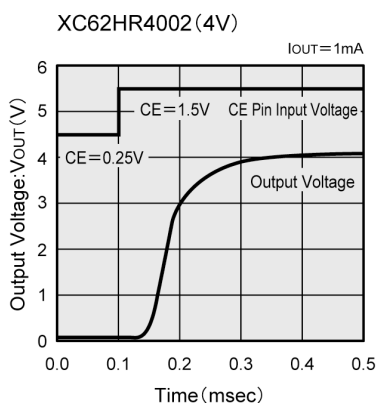
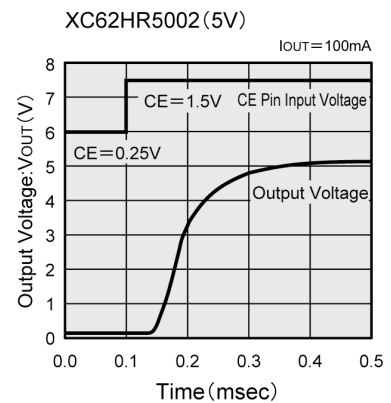
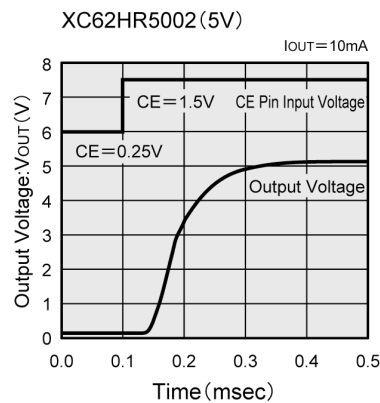
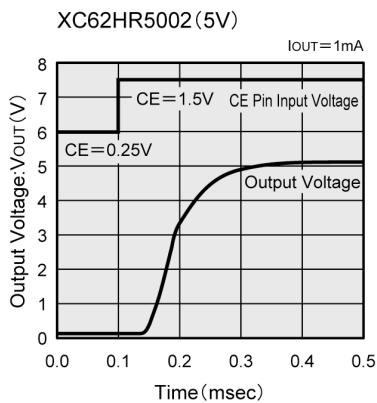


TYPICAL PERFORMANCE CHARACTERISTICS (Continued)

(10) Load Transient Response (Continued)

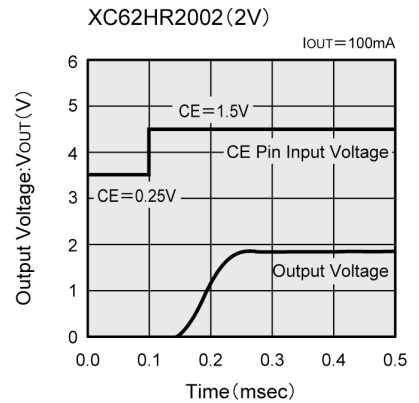
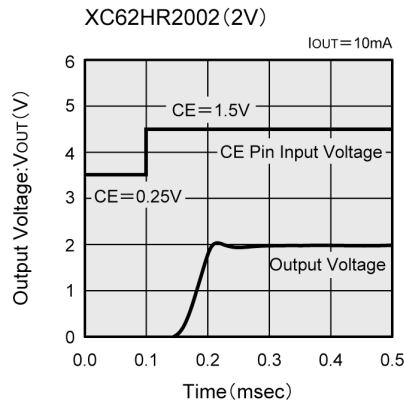
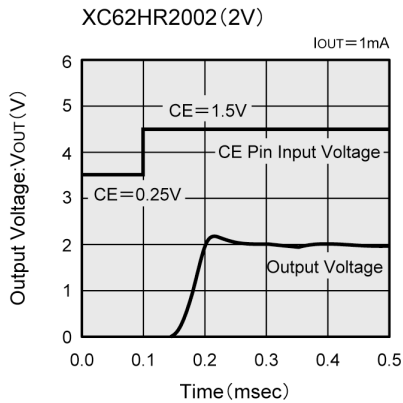
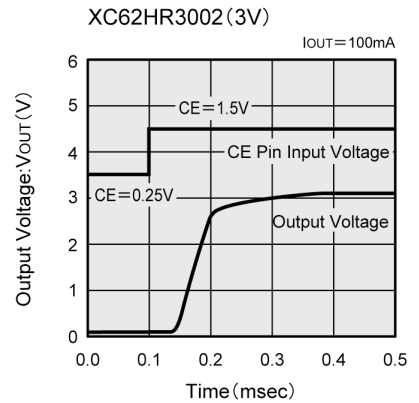
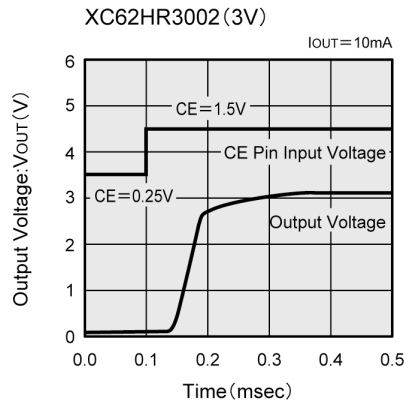
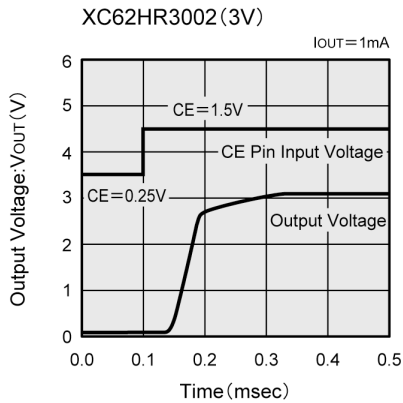


(11) CE Pin Transient Response



■ TYPICAL PERFORMANCE CHARACTERISTICS (Continued)

(11) CE Pin Transient Response (Continued)



(12) Ripple Rejection Rate

