



偉詮電子股份有限公司
Weltrend Semiconductor, Inc.

WT7220
Current Regulator for LED
Data Sheet

REV. 0.10

NOV 16, 2005

The information in this document is subject to change without notice.
©Weltrend Semiconductor, Inc. All Rights Reserved.

新竹市科學工業園區工業東九路 24 號 2 樓

2F, No. 24, Industry E. 9th RD., Science-Based Industrial Park, Hsin-Chu, Taiwan

TEL:886-3-5780241 FAX:886-3-5794278.5770419

Email:support@weltrend.com.tw

GENERAL DESCRIPTION

The WT7220 is a current regulator which provide 350mA constant sink current. It is optimal for use as LED drive.

FEATURES

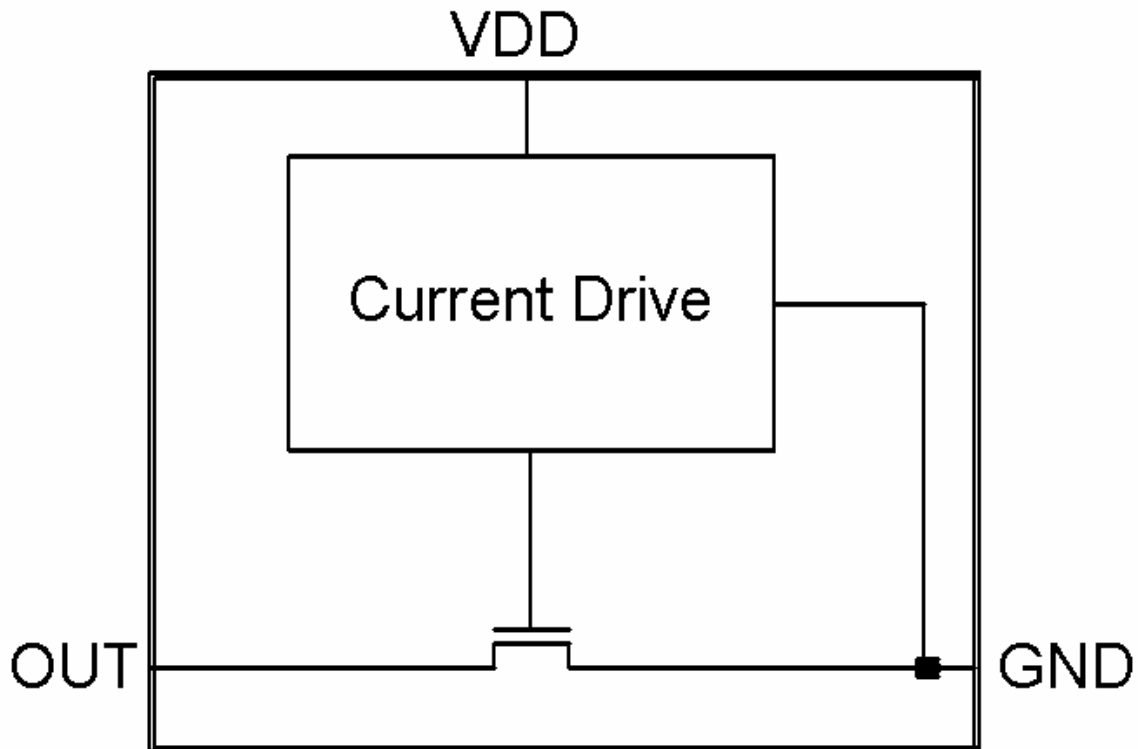
- Low quiescent current
- Low standby current <1 μ A.
- Miniature package SOT-89
- Built-in thermal protection

PIN CONFIGURATION



PIN DESCRIPTION

Pin No.	Pin Name	TYPE	FUNCTION
1	VDD	P	Power supply input.
2	GND	P	Ground.
3	OUT	O	Output.

BLOCK DIAGRAM

Absolute Maximum Operating Range, Ta=+25

CHARACTERISTICS	SYMBOL	VALUE	Unit
Maximum supply voltage	V _{CC}	-0.3 to +7.0	V
H-bridge output voltage	V _{OUT}	-0.3 to +7.0	V
Operating temperature	T _{opr}	-20 ~ +75	
Storage temperature	T _{stg}	-40 ~ +150	

*Note: Mounted on the 114.3x76.1x1.6 mm³ glass-epoxy board.

Electrical Characteristics (V_{DD}=4V, Ta= +25)

Parameter	Symbol	Conditions	Min.	Typ.	Max.	Unit
Output Current	I _{OUT}	V _{out} =0.6V-3V	310	350	390	mA
Operating current Dissipation	I _{DD}			0.3		mA
Load Regulation		V _{out} =0.2V-3V			5	mA/V
Line Regulation		V _{DD} =3V-6V			5	mA/V
Thermal Protection Temperature	T _{pt}			120		°C

TYPICAL APPLICATION

