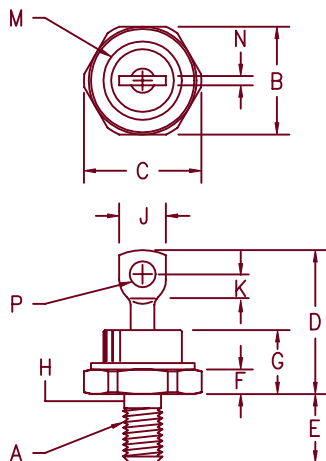


Ultra Fast Recovery Rectifiers

UFR10260 — UFR10280



Notes:

1. Full threads within 2 1/2 threads
2. Standard Polarity: Stud is Cathode
Reverse Polarity: Stud is Anode

Dim.	Inches		Millimeter		Notes
	Minimum	Maximum	Minimum	Maximum	
A		1/4-28 UNF 3A			1
B	.667	.687	16.94	17.45	
C	---	.793	---	20.14	
D	---	1.00	---	25.40	
E	.422	.453	10.72	11.51	
F	.115	.200	2.92	5.08	
G	---	.450	---	11.43	
H	.220	.249	5.59	6.32	2
J	.250	.375	6.35	9.52	
K	.140	---	3.56	---	
M	---	.667	---	16.94	Dia
N	---	.080	---	2.03	
P	.140	.175	3.56	4.44	Dia

D0203AB (D05)

Microsemi Catalog Number	Working Peak Reverse Voltage	Peak Reverse Voltage
UFR10260*	600V	600V
UFR10270*	700V	700V
UFR10280*	800V	800V

*Add Suffix R For Reverse Polarity

- Ultra Fast Recovery Rectifier
- 175°C Junction Temperature
- 100 Amps current rating
- V_{RRM} 600 to 800 Volts
- t_{RR} 120 nsec maximum

Electrical Characteristics

Average forward current
Maximum surge current
Max peak forward voltage
Max reverse recovery time
Max peak reverse current
Max peak reverse current
Typical Junction Capacitance

$I_{F(AV)}$ 100 Amps
 I_{FSM} 1300 Amps
 V_{FM} 1.35 Volts
 t_{RR} 120 nS
 I_{RM} 5 mA
 I_{RM} 25 μ A
 C_J 210 pF

$T_C = 134^\circ\text{C}$, Square wave, $R_{\theta JC} = 0.45^\circ\text{C/W}$
8.3 ms, half sine, $T_J = 175^\circ\text{C}$
 $I_{FM} = 100\text{A}$: $T_J = 25^\circ\text{C}$ *
 $I_F = 1\text{A}$, $V_R = 30\text{V}$, $di/dt = -50\text{A}/\mu\text{s}$
 V_{RRM} , $T_J = 125^\circ\text{C}$
 V_{RRM} , $T_J = 25^\circ\text{C}$
 $V_R = 10\text{V}$, $f = 1\text{Mhz}$, $T_J = 25^\circ\text{C}$

*Pulse test: Pulse width 300 μ sec, Duty cycle 2%

Thermal and Mechanical Characteristics

Storage temp range
Operating junction temp range
Max thermal resistance
Typical thermal resistance (greased)
Mounting torque
Weight

T_{STG}
 T_J
 $R_{\theta JC}$
 $R_{\theta CS}$

-65°C to 175°C
-65°C to 175°C
0.45°C/W Junction to case
0.5°C/W Case to sink
25-30 inch pounds
.52 ounces (14.7 grams) typical



Microsemi

COLORADO

800 Hoyt Street
Broomfield, CO. 80020
PH: (303) 469-2161
FAX: (303) 466-3775
www.microsemi.com

4-2-02 Rev. IR

UFR10260 — UFR10280

Figure 1
Typical Forward Characteristics

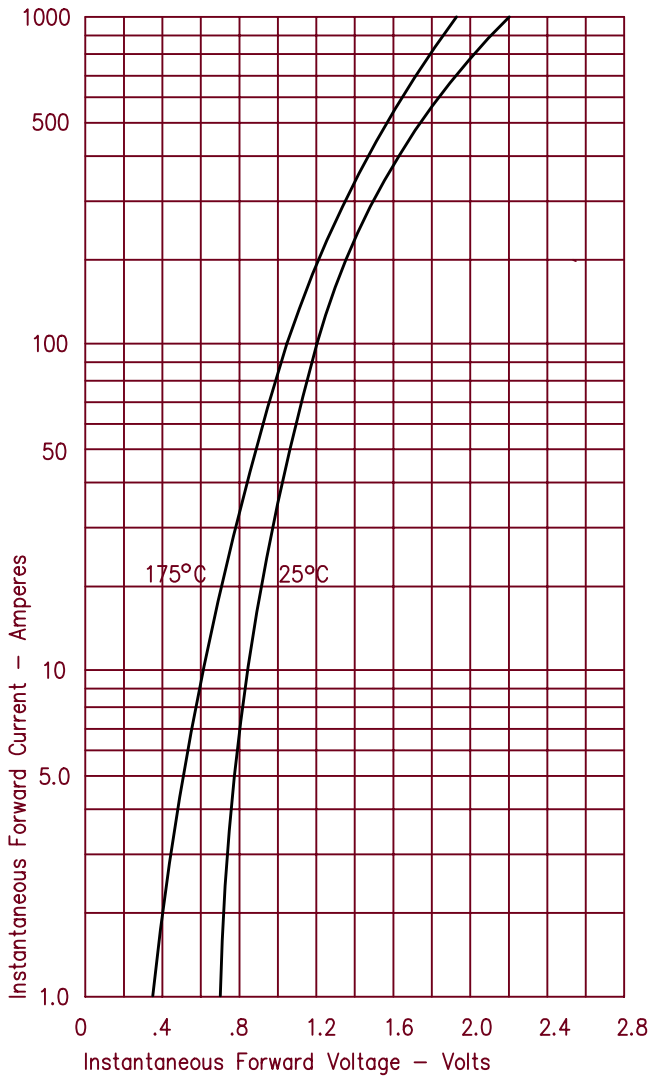


Figure 3
Typical Junction Capacitance

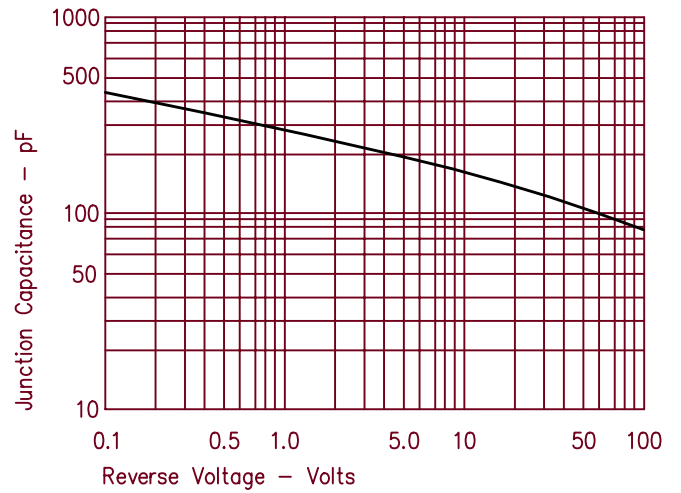


Figure 4
Forward Current Derating

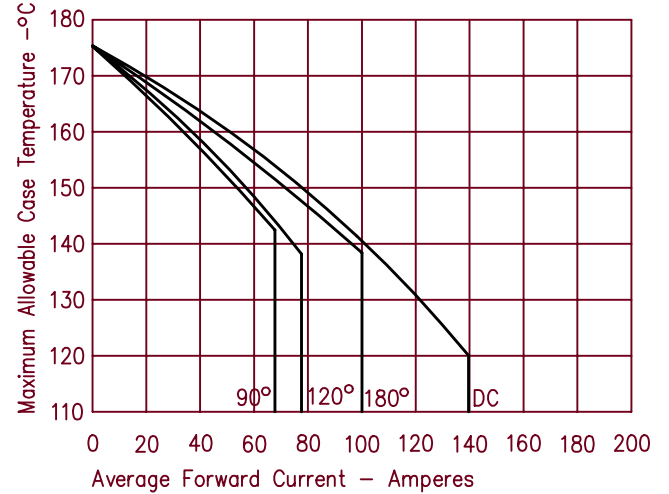


Figure 2
Typical Reverse Characteristics

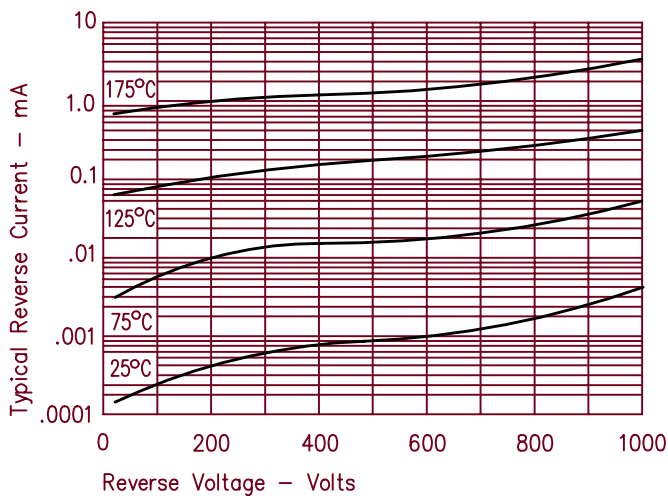


Figure 5
Maximum Forward Power Dissipation

