

The Micro.usb module enables a Micro Sensinode with a convenient way to interface the node with for example a PC. The board gives a serial connection over USB for debugging, supplies power to the stack, and enables programming the microcontroller. In addition Micro.usb can be used with a rechargeable battery, which is automatically charged when the node is powered by USB.

Micro.usb makes use of the widely supported FTDI USB chip, which has drivers in all major operating systems. When plugged into a PC, the FTDI driver provides a serial port to the Sensinode (directly to the microcontroller). The serial port can then be used with a terminal for debugging or control purposes, or with the NanoStack PC tools.

## Features

- USB serial adapter for the Sensinode Micro series
- Uses FTDI USB chip (FT232B) solution
- Drivers available for Linux, OS X, and Windows
- Full-speed USB device, up to 1MB/s data rate
- Charges 2 NiMH batteries from the USB bus
- Automatically charges the Sensinode Micro module stack
- Enables bootstrap programming of the Micro.4 over USB
- Module has a unique ID number
- RoHS compatible
- 40 mm x 40 mm board size

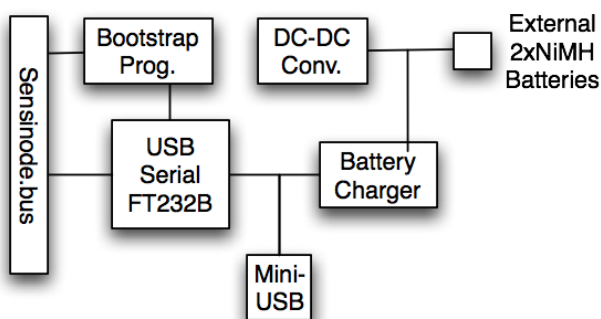


Figure 1: Block diagram of Micro.usb