



TS803R

Microprocessor Reset Circuit

SOT-23



Pin assignment

TS803R

1. RESET
2. Gnd
3. Vcc

**Open Drain
Threshold Voltage Option
2.7V, 2.93V, 4.2V**

General Description

The TS803R are microprocessor (μ P) supervisory circuit used to monitor the power supplies in μ P and digital systems. They provide excellent circuit reliability and low cost by eliminating external components and adjustments when used with +5V, +3.3V, +3.0V powered circuits. These circuits perform a single function: they assert a reset signal whenever the VCC supply voltage declines below a preset threshold, keeping it asserted for at least 140ms after VCC has risen above the reset threshold. Reset thresholds suitable for operation with a variety of supply voltages are available. The TS803R are open –drain outputs. The TS803R have an active low RESET output, while the TS803R has an active high RESET output. The reset comparator is designed to ignore fast transients on VCC, and the output guaranteed to be in the correct logic state for VCC down to 1V. Low supply correct makes the TS803R ideal for use in portable equipment. The TS803R is available in a 3-pin SOT-23 package.

Features

- ✧ Precision monitoring of +3V, +3.3V and +5V power supply voltage
- ✧ Fully specified over temperature
- ✧ Available in three output configurations
- ✧ Open – Drain RESET low output
- ✧ 3uA supply current
- ✧ Guaranteed reset valid to Vcc = +1V
- ✧ Power supply transient immunity
- ✧ No external components

Ordering Information

Part No.	Enable Function	Threshold Voltage	Package
TS803RCX <u>B</u>	Active-Low	4.2V	SOT-23
TS803RCX <u>E</u>	Active-Low	2.93V	
TS803RCX <u>F</u>	Active-Low	2.7V	

Note: x is the threshold voltage type, option as

B: 4.20V

E: 2.93V

F: 2.70V

Applications

- ✧ Computers
- ✧ Controllers
- ✧ Intelligent instruments
- ✧ Critical uP and uC power monitoring
- ✧ Portable / Battery powered equipment
- ✧ Automotive

Pin Descriptions

Pin No.	Name	Description
1	<u>RESET</u>	Reset output pin (Active- Low)
<u>2</u>	Gnd	Ground
3	Vcc	Operating voltage input

Absolute Maximum Rating

Supply Voltage	V _{CC}	7	V
<u>RESET</u> & (<u>RESET</u>) push-pull	V _{RESET}	- 0.3 ~ (V _{CC} +0.3)	V
Input Current, Vcc	I _{CC}	20	mA
Output Current, <u>RESET</u>	I _O	20	mA
Rate of Rise, Vcc	V _R	100	V/uS



Recommended Operating Conditions			
Supply Voltage	V_{CC}	<5	V
Operating Ambient Temperature Range	$T_{a(op)}$	-40 ~ +105	°C
Operating Junction Temperature Range	$T_{j(op)}$	-40 ~ +125	°C
Storage Temperature Range	T_{STG}	-65 ~ +150	°C
Thermal Resistance	Θ_{jc}	325	°C /W
Power Dissipation	P_D	350	mW
Lead Soldering Temperature (260 °C)	T_{LEAD}	10	S

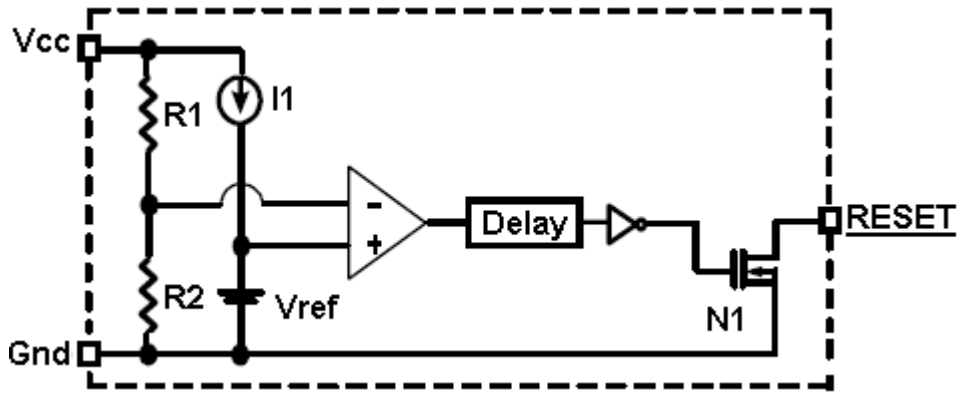
Electrical Characteristics

$T_a = 25\text{ °C}$, unless otherwise specified.

Parameter	Conditions	Symbol	Min	Typ	Max	Unit
Input Supply Voltage	$T_a = 0\text{ °C} \sim +70\text{ °C}$	V_{CC}	1.0	--	5.5	V
Supply Current	$V_{CC} \leq V_{th} * 1.1$	I_{CC}	--	--	3	uA
	$V_{CC} \leq V_{th} * 1.1$, $T_a = \text{full range}$		--	--	5	
Reset Threshold	TS803RCXB	V_{TH}	0.985 V_{TH}	4.20	1.015 V_{TH}	V
	TS803RCXE			2.93		
	TS803RCXF			2.70		
Reset Threshold (Full temperature range)	TS803RCXB	V_{TH}	0.97 V_{TH}	4.20	1.03 V_{TH}	V
	TS803RCXE			2.93		
	TS803RCXF			2.70		
Reset Threshold Temperature Coefficient		V_{TH}	--	30	--	ppm/ °C
V_{CC} to Reset Delay	$V_{CC} = V_{TH}$ to ($V_{TH} - 100\text{mV}$)	T_{DELAY}	--	40	--	uS
Reset Active Timeout Period	$T_a = 0\text{ °C} \sim +70\text{ °C}$		0.5	1.5	5	mS
<u>RESET</u> Output Voltage Low	$V_{CC} < V_{TH(MIN)}$, $I_{SINK} = 1.2\text{mA}$,	V_{OL}	--	--	0.5	V
<u>RESET</u> Output Voltage High	$V_{CC} > V_{TH(MAX)}$, $I_{SOURCE} = 500\text{uA}$ $V_{CC} > 1.8\text{V}$	V_{OH}	0.8 V_{CC}	--	--	V
	$V_{CC} > V_{TH(MAX)}$, $I_{SOURCE} = 150\text{uA}$, $1.8\text{V} \geq V_{CC} > 1\text{V}$					

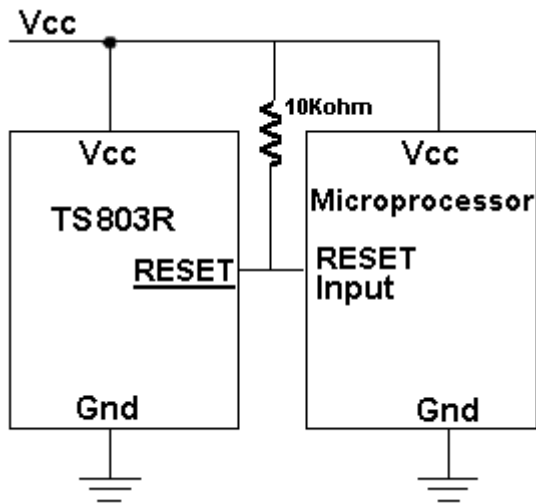
Note 1 : The data based on $V_{TH} = 2.7\text{V}$ part type.

Function Block

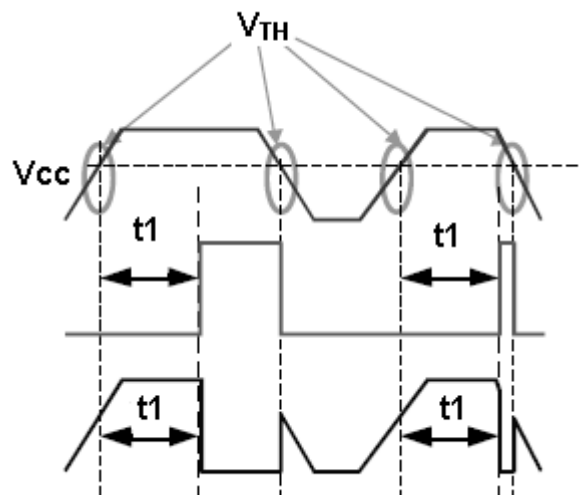


Function Description

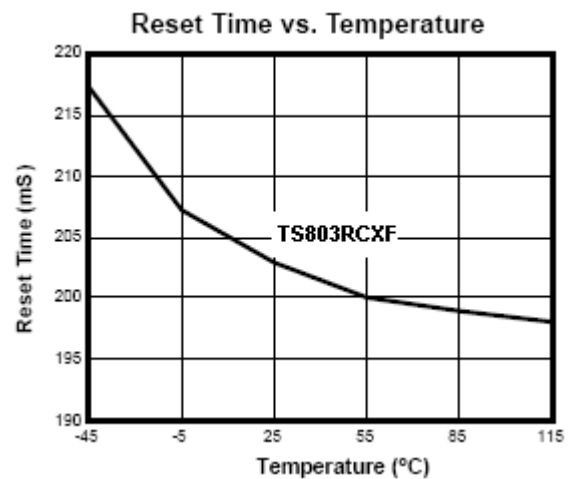
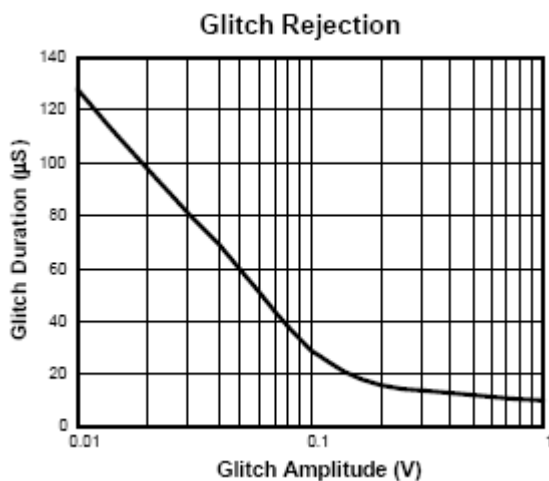
Applications Circuit



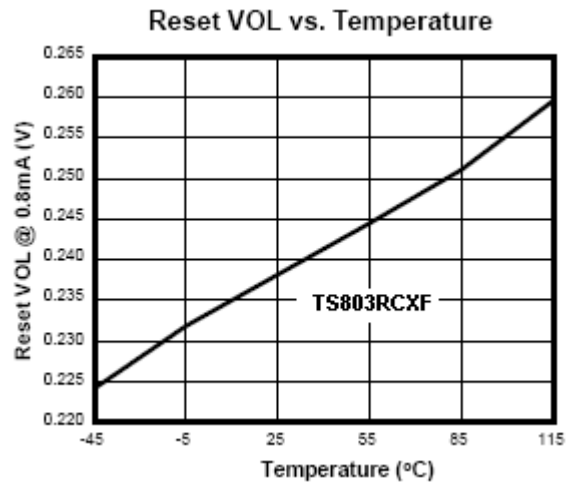
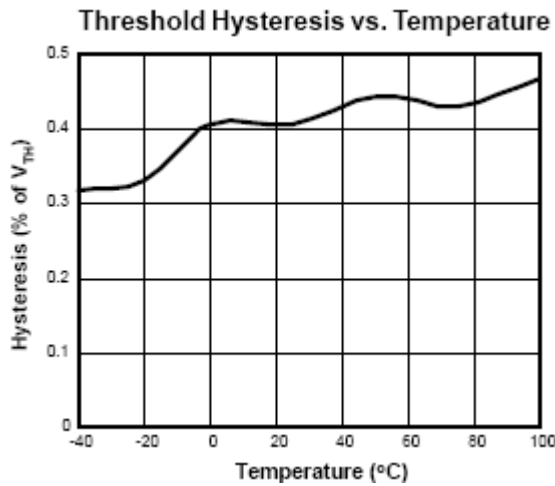
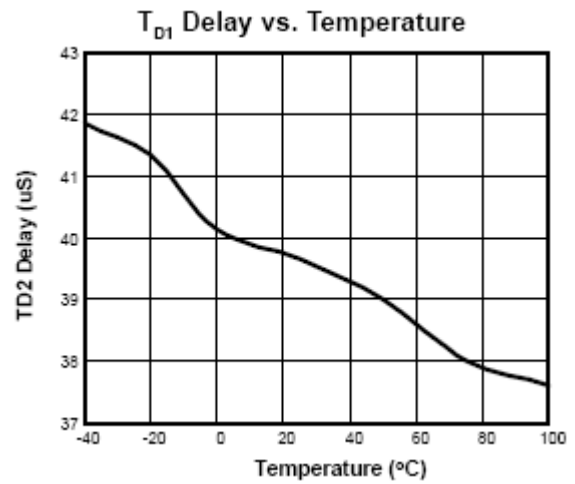
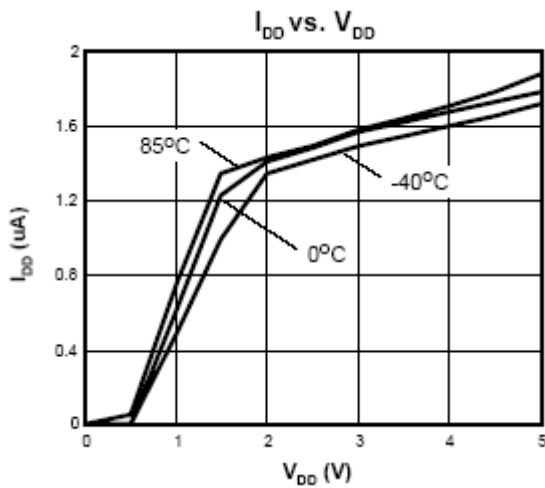
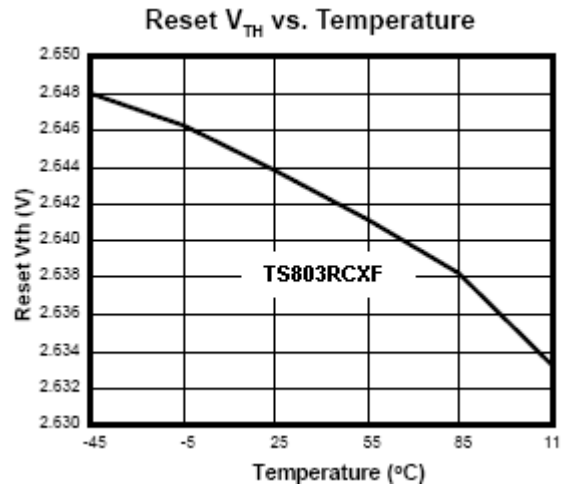
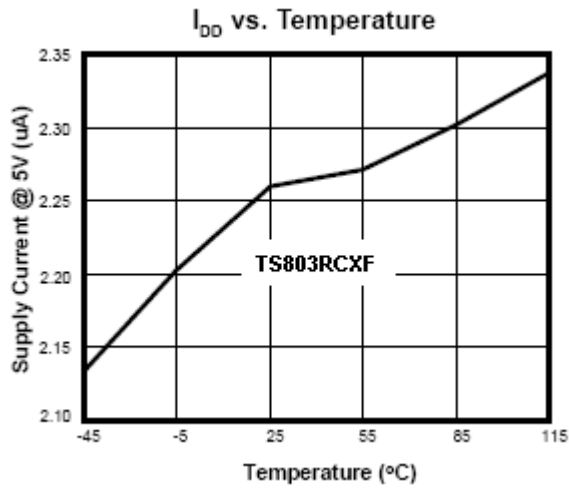
Timing Diagram



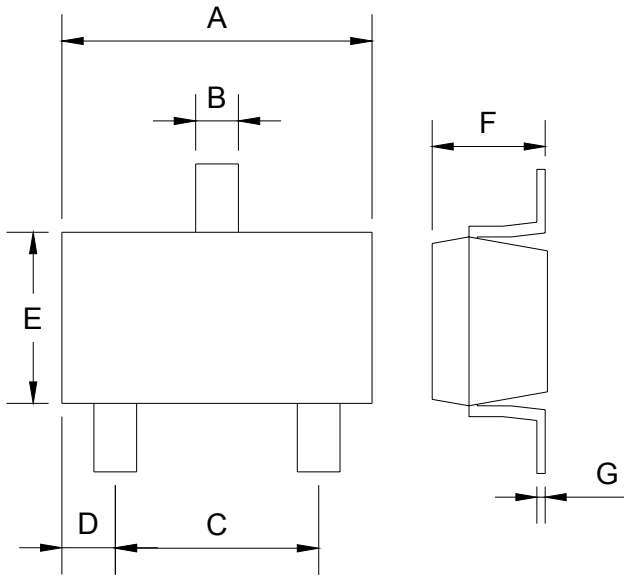
Electrical Characteristics Curve



Electrical Characteristics Curve



SOT-23 Mechanical Drawing



SOT-23 DIMENSION				
DIM	MILLIMETERS		INCHES	
	MIN	MAX	MIN	MAX
A	2.88	2.91	0.113	0.115
B	0.39	0.42	0.015	0.017
C	1.78	2.03	0.070	0.080
D	0.51	0.61	0.020	0.024
E	1.59	1.66	0.063	0.065
F	1.04	1.08	0.041	0.043
G	0.07	0.09	0.003	0.004