

TOTAL POWER INT'L

UNIVERSAL INPUT AC TO DC EXTERNAL WALLMOUNT & DESKTOP ADAPTORS SINGLE & DUAL OUTPUT 10-12 WATTS SWITCHING POWER SUPPLIES TPES10 & TPES10B SERIES



FEATURES:

- UNIVERSAL INPUT
- WALLMOUNT OR DESKTOP ADAPTOR
- DIVERSE AC PLUG AVAILABLE
- TO MEET UNIVERSAL SAFETY STANDARDS
- EMI MEET EN55022/FCC CLASS B
- CE MARKING COMPLIANCE

SPECIFICATION

INPUT SPECIFICATION

Input Voltage For TPES10 Series: 90-264Vac typical.
Input Voltage For TPES10B Series: 90-132Vac typical.
Input Connector for TPES10 Series:
 Wallmount Format: WM0,1,2 (USA/Japan)/ WM3 (Euro-stecker)/ WM4 (Schuko-stecker)/ WM5(UK)/WM6, 6G(Australia)
 Desktop Format: IEC320 Inlet Type DT7-3P or DT8-2P.
 Mouse Power Pig-Tail: PT1/2/3/4/5/6/7.
Input Connector for TPES10B Series: WM1 (USA/Japan) only.
Input Frequency: 47 ~ 63Hz.
Inrush Current: Typical 48A @230Vac or 27.8A @230Vac by adding thermister.
Input Current: Typical 0.3A@115Vac/0.10A@230Vac.
Dielectric Withstand: Meet IEC950.
EMI: Meet EN55022 / FCC Class B.
Hold-up Time: 15mS @115Vac. / 60mS @230Vac typical.

OUTPUT SPECIFICATION

Output Voltage: See Ratings Chart.
Output Current: See Ratings Chart.
Output Wattage: 10 ~ 12Watts typical.
Output Connector: Optional.
Line Regulation: 0.1% typical.
Load Regulation for TPES10 and TPES10B Single O/P:
 ±1.5 ~ 3.0% typical.
Load Regulation for TPES10 Series Dual O/P:
 Main O/P VO1 ±1.5 ~ 3.0% typical.
 Aux. O/P VO2 ±3.0 ~ 5.0% typical.
Noise & Ripple: Typical 1.0 % peak to peak.
OVP: Built-in, Zener diode clamp.
Overload Protection: Typ.125-150% of max. power overrange or short circuit, power foldback & self-recovering.

GENERAL SPECIFICATION

Efficiency: 70 ~75% typical.
Switching Frequency: TPES10 approximate 40-50K Hz.
 TPES10B approximate 50-200K Hz.
Circuit Topology: Fixed Frequency Flyback ckt. for TPES10 series.
 Free Running Flyback ckt. for TPES10B series.
Transient Response: Output voltage returns in less than 3mS following a 25% load change.
Power Density: 1.3-1.56Watts / Inch³.
Operating Temperature: 0 ~ +40°C.
Storage Temperature: -20°C ~ +85°C.
Temperature Coefficient: 0.04% /°C.
Cooling: Free air convection.
Construction: Impact resistant thermo- plastic enclosure case.
Construction: Wallmount or Desktop Format.
Safety Standard: UL1950/EN60950, Class II.
 Class I available for WM2,5,6G /DT7/PT2,4,5,7
Medical Use: TPES10M-12004-G-7 UL2601/EN60601.

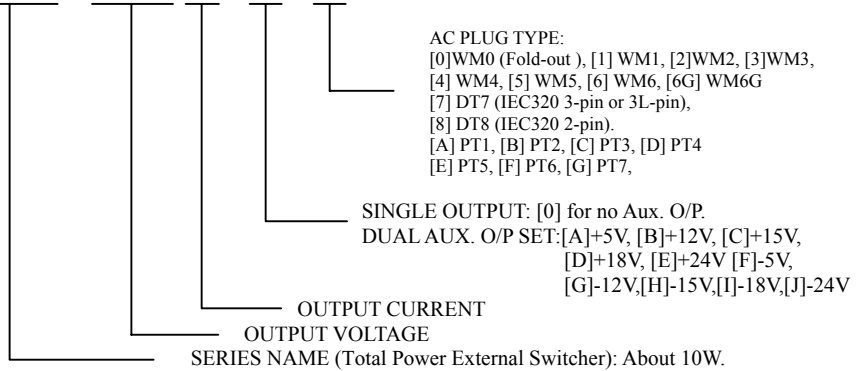
Notes: (1) All measurements are at nominal input, full load, and +25°C unless otherwise specified.
 (2) Load regulation is measured at 115Vac or 230Vac in percentage to indicate the change in output voltage as the load is varied from half load to full load (unit ±%). For the multi-output, the main output remains 50% load and other aux. output remains 20% load.
 (3) The exact obtainable load regulation depends upon the output load current & cord selected. Upper data are for 6 ft.(2 meters)cord AWG#18/20 wires with PF or PD type connector.



For the details of safety, please consult the factory

TPES10B SERIES

MODEL NO. DESCRIPTION: TPES10 – X X X Y Y – N – S



OUTPUT VOLTAGE/CURRENT RATINGS CHART

DEFINED OUTPUT VOLTAGE (Vdc)	OUTPUT VOLTAGE (Vdc) / CURRENT (A)
3.3 Vdc ≤ Any Voltage ≤ 12.0Vdc	3.3V/2.5A, 3.4-5.0V/2.0A, 5.1-5.9V/1.9-1.7A, 6.0-6.3V/ 1.6A, 6.4-6.7V/1.6-1.5A, 6.8-7.2V/1.4A, 7.4-7.7V/1.3A, 7.8-8.4V/1.2A, 8.5-8.9V/1.1A, 9.0-12V/1.0A. Special: 6.0-6.5V/2.0A
12.0Vdc < Any Voltage ≤ 24.0Vdc	12.1-13.3V/0.9A, 13.4-15.0V/0.8A, 15.1-17.1V/0.7A, 17.2-20.0V /0.6A, 20.1-24.0V/0.5A. Max. Output: 12.0 W.

Note: Refer to the upper Chart or specify the V/A ratings and consult factory for the exact Model No.

SINGLE OUTPUT (Model No. for examples.)

MODEL NO.	AC INPUT	AC PLUG	O/P VOLTAGE (Vdc)	O/P CURRENT(A)	FORMAT
TPES10-03325-0-1	90-264Vac	WM1	3.3V	2.5A	Wallmount
TPES10-03420-0-3	90-264Vac	WM3	3.4V	2.0A	Wallmount
TPES10-05020-0-5	90-264Vac	WM5	5.0V	2.0A	Wallmount
TPES10-06016-0-6	90-264Vac	WM6	6.0V	1.6A	Wallmount
TPES10-12010-0-0	90-264Vac	WM0	12.0V	1.0A	Wallmount
TPES10-07014-0-7	90-264Vac	DT7	7.0V	1.4A	Desktop
TPES10-08511-0-8	90-264Vac	DT8	8.5V	1.1A	Desktop
TPES10-09010-0-A	90-264Vac	PT1	9.0V	1.0A	Mouse-PT
TPES10-10010-0-B	90-264Vac	PT2	10.0V	1.0A	Mouse-PT
TPES10-12010-0-C	90-264Vac	PT3	12.0V	1.0A	Mouse-PT
TPES10-13808-0-D	90-264Vac	PT4	13.8V	0.8A	Mouse-PT
TPES10-15008-0-E	90-264Vac	PT5	15.0V	0.8A	Mouse-PT
TPES10-16007-0-F	90-264Vac	PT6	16.0V	0.7A	Mouse-PT
TPES10-18006-0-G	90-264Vac	PT7	18.0V	0.6A	Mouse-PT
TPES10-06020-0-0	90-264Vac	WM0	6.0V	2.0A	Wallmount
TPES10-06020-0-1	90-264Vac	WM1	6.0V	2.0A	Wallmount
TPES10-24005-0-2	90-264Vac	WM2	24.0V	0.5A	Wallmount

DUAL OUTPUT V/A CHART

OUTPUT RAIL	OUTPUT VOLTAGE (Vdc) / CURRENT (A)
Main O/P VO1★	5.0V/1.0A, 5.1-5.9V/0.9A, 6.0-7.5V/0.8A, 7.6-9.0V/0.7A, 9.1-12.0V/0.6A, 12.1-14.0V/0.5A, 14.1-20.0V/0.4A.
Aux. O/P ±VO2 †	5V/0.6A, 12V/0.3A, 15V/0.2A, 18V/0.2A, 24V/0.1A.

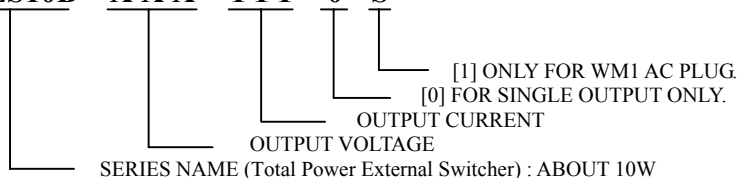
Note: Refer to the upper Chart or specify the V/A ratings and consult factory for the exact Model No.

DUAL OUTPUT (Model No. for examples.)

MODEL NO.	AC INPUT	AC PLUG	MAIN O/P VO1 ★		AUX. O/P VO2†		FORMAT
			(Vdc)	(A)	(Vdc)	(A)	
TPES10-03310-A-1	90-264Vac	WM1	+3.3V	1.0A	-5.0V	0.6A	Wallmount
TPES10-05010-B-3	90-264Vac	WM3	+5.0V	1.0A	+12.0V	0.3A	Wallmount
TPES10-05209-C-5	90-264Vac	WM5	+5.2V	0.9A	+15.0V	0.2A	Wallmount
TPES10-06008-D-6	90-264Vac	WM6	+6.0V	0.8A	+18.0V	0.2A	Wallmount
TPES10-09007-E-7	90-264Vac	DT7	+9.0V	0.7A	+24.0V	0.1A	Desktop
TPES10-12006-F-A	90-264Vac	PT1	+12.0V	0.6A	-5.0V	0.6A	Mouse PT
TPES10-13505-G-B	90-264Vac	PT2	+13.5V	0.5A	-12.0V	0.3A	Mouse PT
TPES10-15004-H-C	90-264Vac	PT3	+15.0V	0.4A	-15.0V	0.2A	Mouse PT
TPES10-18004-I-E	90-264Vac	PT5	+18.0V	0.4A	-18.0V	0.2A	Mouse PT
TPES10-20004-J-G	90-264Vac	PT7	+20.0V	0.4A	-24.0V	0.1A	Mouse PT

TPES10B SERIES

MODEL NO. DESCRIPTION: TPES10B - X X X YYY - 0 - S



OUTPUT VOLTAGE/CURRENT RATINGS CHART

DEFINED OUTPUT VOLTAGE(Vdc)	OUTPUT VOLTAGE (Vdc) / CURRENT (A)
3.0 Vdc ≤ Any voltage < 9.0 Vdc	3.0-5.0V/2.0A, 5.1-5.3V/1.9A, 5.4-5.6V/1.8A, 5.7-5.9V/1.7A, 6.0-6.3V/1.6A, 6.4V-6.7V/1.5A, 6.8-7.2V/1.4A, 7.3-7.7V/1.3A 7.8-8.4V/1.2A, 8.5-8.9V/1.1A.
9.0Vdc ≤ Any voltage ≤ 30.0 Vdc	9.0-12.0V/1.0A, 12.1-13.3V/0.9A, 13.4-15.0V/0.8A, 15.1-17.1V /0.7A, 17.2-20.0V/0.6A, 20.1-24.0V/0.5A, 24.1-30.0V/0.4A.

Note: Refer to the upper Chart or specify the V/A ratings and consult factory for the exact Model No.

SINGLE OUTPUT (Model No. for examples)

MODEL NO.	AC INPUT	AC PLUG	O/P VOLTAGE (Vdc)	O/P CURRENT (A)	FORMAT
TPES10B-03320-0-1	90-132Vac	WM1	3.3V	2.0A	Wallmount
TPES10B-05020-0-1	90-132Vac	WM1	5.0V	2.0A	Wallmount
TPES10B-06316-0-1	90-132Vac	WM1	6.3V	1.6A	Wallmount
TPES10B-07014-0-1	90-132Vac	WM1	7.0V	1.4A	Wallmount
TPES10B-09510-0-1	90-132Vac	WM1	9.5V	1.0A	Wallmount
TPES10B-12010-0-1	90-132Vac	WM1	12.0V	1.0A	Wallmount
TPES10B-15008-0-1	90-132Vac	WM1	15.0V	0.8A	Wallmount
TPES10B-18006-0-1	90-132Vac	WM1	18.0V	0.6A	Wallmount
TPES10B-24005-0-1	90-132Vac	WM1	24.0V	0.5A	Wallmount
TPES10B-30004-0-1	90-132Vac	WM1	30.0V	0.4A	Wallmount

MECHANICAL DIMENSIONS: MM [INCHES]

TPES10/WM: 168.0g (5.93Oz.)

TPES10/DT: 232.0g (8.18Oz.)

TPES10/PT: 210.0g (7.41Oz.)

