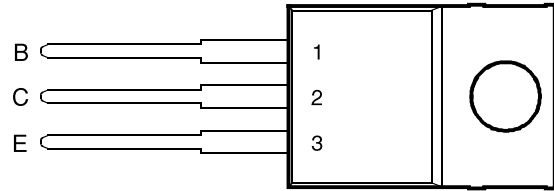


- **Designed for Complementary Use with the TIP30 Series**
- **30 W at 25°C Case Temperature**
- **1 A Continuous Collector Current**
- **3 A Peak Collector Current**
- **Customer-Specified Selections Available**

TO-220 PACKAGE
(TOP VIEW)



Pin 2 is in electrical contact with the mounting base.

absolute maximum ratings **at 25°C case temperature (unless otherwise noted)**

RATING		SYMBOL	VALUE	UNIT
Collector-base voltage ($I_E = 0$)	TIP29	V_{CBO}	80	V
	TIP29A		100	
	TIP29B		120	
	TIP29C		140	
Collector-emitter voltage ($I_B = 0$)	TIP29	V_{CEO}	40	V
	TIP29A		60	
	TIP29B		80	
	TIP29C		100	
Emitter-base voltage		V_{EBO}	5	V
Continuous collector current		I_C	1	A
Peak collector current (see Note 1)		I_{CM}	3	A
Continuous base current		I_B	0.4	A
Continuous device dissipation at (or below) 25°C case temperature (see Note 2)		P_{tot}	30	W
Continuous device dissipation at (or below) 25°C free air temperature (see Note 3)		P_{tot}	2	W
Unclamped inductive load energy (see Note 4)		$\frac{1}{2}LI_C^2$	32	mJ
Operating junction temperature range		T_j	-65 to +150	°C
Storage temperature range		T_{stg}	-65 to +150	°C
Lead temperature 3.2 mm from case for 10 seconds		T_L	250	°C

- NOTES: 1. This value applies for $t_p \leq 0.3$ ms, duty cycle $\leq 10\%$.
 2. Derate linearly to 150°C case temperature at the rate of 0.24 W/°C.
 3. Derate linearly to 150°C free air temperature at the rate of 16 mW/°C.
 4. This rating is based on the capability of the transistor to operate safely in a circuit of: $L = 20$ mH, $I_{B(on)} = 0.4$ A, $R_{BE} = 100 \Omega$, $V_{BE(off)} = 0$, $R_S = 0.1 \Omega$, $V_{CC} = 20$ V.

PRODUCT INFORMATION

Information is current as of publication date. Products conform to specifications in accordance with the terms of Power Innovations standard warranty. Production processing does not

TIP29, TIP29A, TIP29B, TIP29C

NPN SILICON POWER TRANSISTORS

electrical characteristics at 25°C case temperature

PARAMETER	TEST CONDITIONS			MIN	TYP	MAX	UNIT
$V_{(BR)CEO}$ Collector-emitter breakdown voltage	$I_C = 30 \text{ mA}$ (see Note 5)	$I_B = 0$	TIP29 TIP29A TIP29B TIP29C	40 60 80 100			V
I_{CES} Collector-emitter cut-off current	$V_{CE} = 80 \text{ V}$ $V_{CE} = 100 \text{ V}$ $V_{CE} = 120 \text{ V}$ $V_{CE} = 140 \text{ V}$	$V_{BE} = 0$ $V_{BE} = 0$ $V_{BE} = 0$ $V_{BE} = 0$	TIP29 TIP29A TIP29B TIP29C			0.2 0.2 0.2 0.2	mA
I_{CEO} Collector cut-off current	$V_{CE} = 30 \text{ V}$ $V_{CE} = 60 \text{ V}$	$I_B = 0$ $I_B = 0$	TIP29/29A TIP29B/29C			0.3 0.3	mA
I_{EBO} Emitter cut-off current	$V_{EB} = 5 \text{ V}$	$I_C = 0$				1	mA
h_{FE} Forward current transfer ratio	$V_{CE} = 4 \text{ V}$ $V_{CE} = 4 \text{ V}$	$I_C = 0.2 \text{ A}$ $I_C = 1 \text{ A}$	(see Notes 5 and 6)	40 15		75	
$V_{CE(sat)}$ Collector-emitter saturation voltage	$I_B = 125 \text{ mA}$	$I_C = 1 \text{ A}$	(see Notes 5 and 6)			0.7	V
V_{BE} Base-emitter voltage	$V_{CE} = 4 \text{ V}$	$I_C = 1 \text{ A}$	(see Notes 5 and 6)			1.3	V
h_{fe} Small signal forward current transfer ratio	$V_{CE} = 10 \text{ V}$	$I_C = 0.2 \text{ A}$	$f = 1 \text{ kHz}$	20			
$ h_{fe} $ Small signal forward current transfer ratio	$V_{CE} = 10 \text{ V}$	$I_C = 0.2 \text{ A}$	$f = 1 \text{ MHz}$	3			

NOTES: 5. These parameters must be measured using pulse techniques, $t_p = 300 \mu\text{s}$, duty cycle $\leq 2\%$.

6. These parameters must be measured using voltage-sensing contacts, separate from the current carrying contacts.

thermal characteristics

PARAMETER	MIN	TYP	MAX	UNIT
$R_{\theta JC}$ Junction to case thermal resistance			4.17	°C/W
$R_{\theta JA}$ Junction to free air thermal resistance			62.5	°C/W

resistive-load-switching characteristics at 25°C case temperature

PARAMETER	TEST CONDITIONS †			MIN	TYP	MAX	UNIT
t_{on} Turn-on time	$I_C = 1 \text{ A}$	$I_{B(on)} = 0.1 \text{ A}$	$I_{B(off)} = -0.1 \text{ A}$		0.5		μs
t_{off} Turn-off time	$V_{BE(off)} = -4.3 \text{ V}$	$R_L = 30 \Omega$	$t_p = 20 \mu\text{s}$, dc $\leq 2\%$		2		μs

† Voltage and current values shown are nominal; exact values vary slightly with transistor parameters.

TYPICAL CHARACTERISTICS

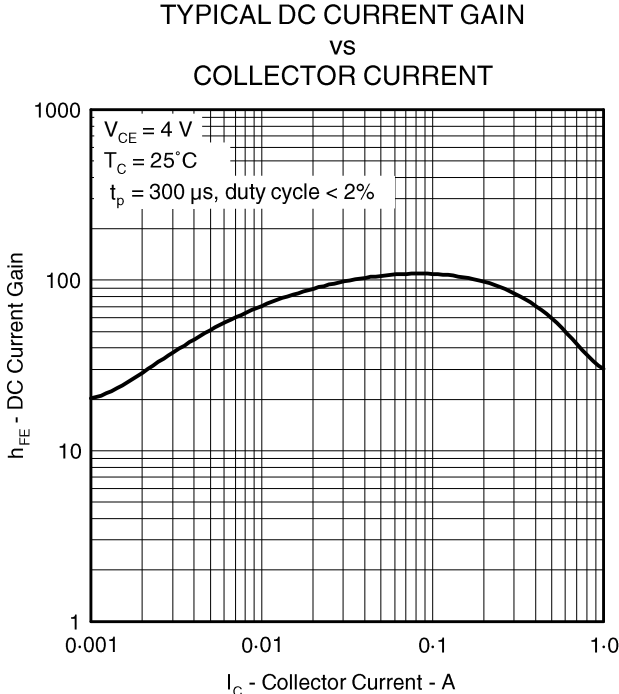


Figure 1.

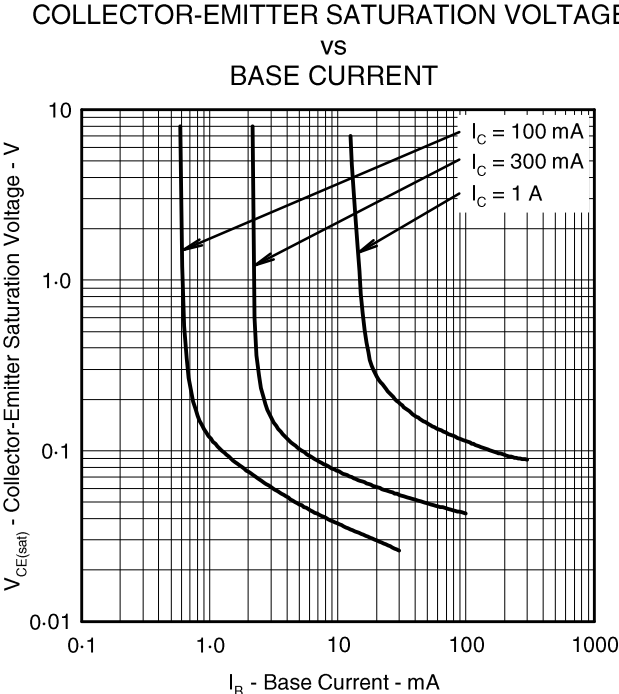


Figure 2.

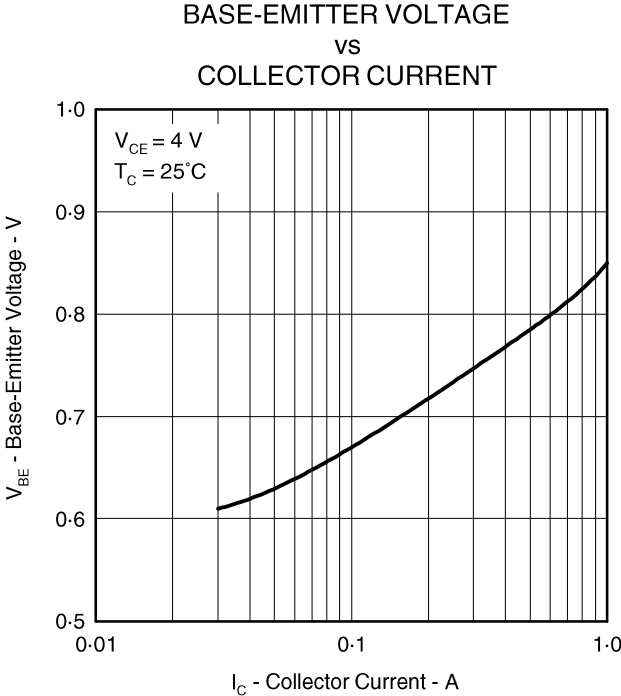


Figure 3.

TIP29, TIP29A, TIP29B, TIP29C NPN SILICON POWER TRANSISTORS

MAXIMUM SAFE OPERATING REGIONS

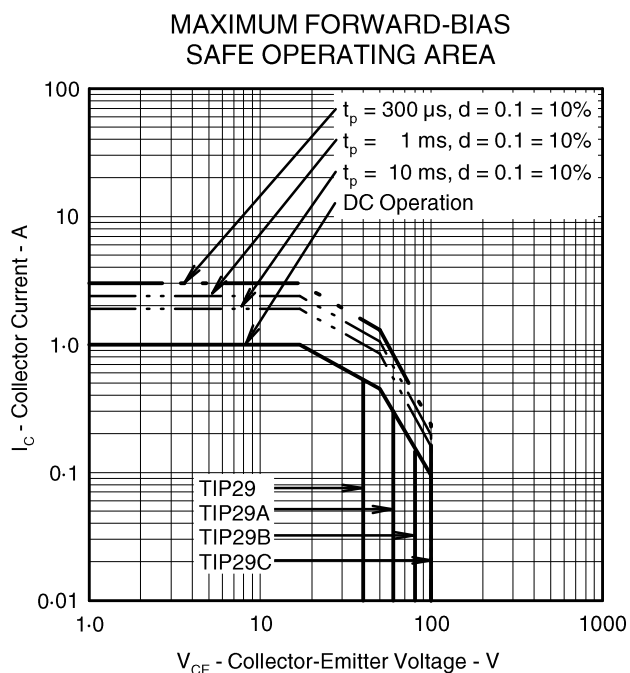


Figure 4.

THERMAL INFORMATION

MAXIMUM POWER DISSIPATION vs CASE TEMPERATURE

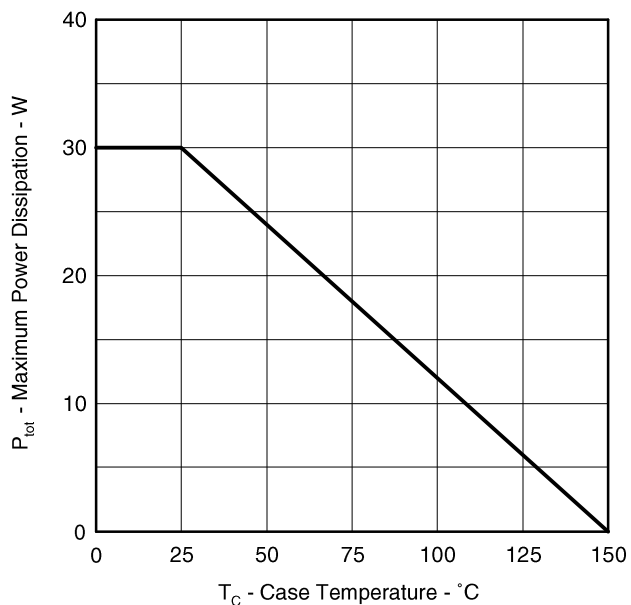


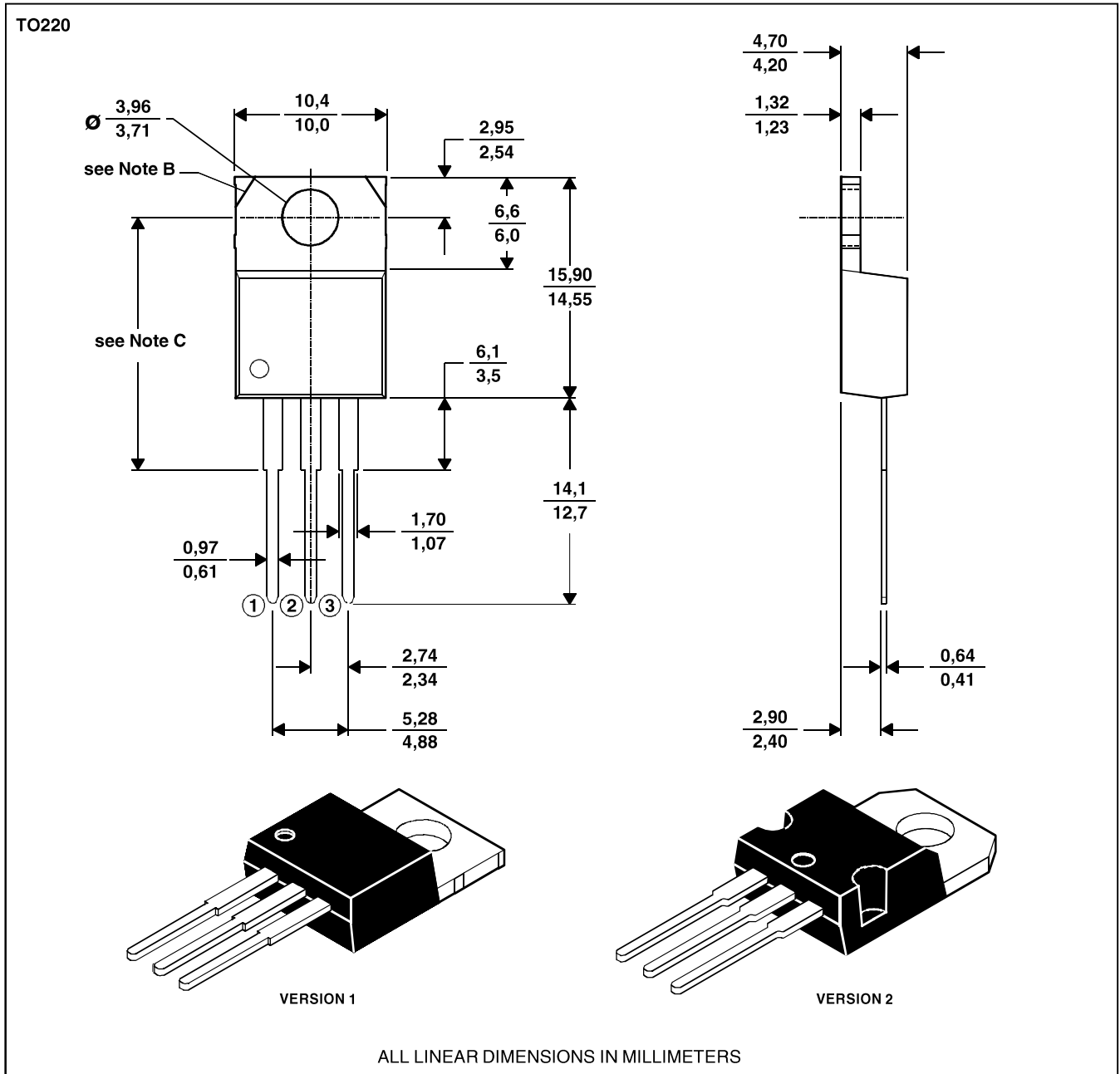
Figure 5.

MECHANICAL DATA

TO-220

3-pin plastic flange-mount package

This single-in-line package consists of a circuit mounted on a lead frame and encapsulated within a plastic compound. The compound will withstand soldering temperature with no deformation, and circuit performance characteristics will remain stable when operated in high humidity conditions. Leads require no additional cleaning or processing when used in soldered assembly.



- NOTES: A. The centre pin is in electrical contact with the mounting tab.
 B. Mounting tab corner profile according to package version.
 C. Typical fixing hole centre stand off height according to package version.
 Version 1, 18.0 mm. Version 2, 17.6 mm.