

VI TELEFILTER**Filter Specification****TFS 125 B****1 / 5****Measurement condition**

Ambient temperature:	23	°C
Input power level:	0	dBm
Terminating impedances:	50	Ω

Characteristics

Remark:

Reference level for the relative attenuation a_{rel} of the TFS 125 B is the minimum attenuation in the pass band. The minimum attenuation in the pass band is defined as the insertion loss a_e . The nominal frequency f_N is fixed at 125 MHz without tolerance or limit. The values of relative attenuation a_{rel} are guaranteed in the whole operating temperature range. The frequency shift of the filter in the operating temperature range is included in the production tolerance scheme.

D a t a		typ. value	tolerance / limit
Insertion loss (Reference level)	a_e	-	1,5..... 3,5 dB
Nominal frequency	f_N	-	125,0 MHz
1 dB bandwidth	BW	-	min. 300,0 kHz
Relative attenuation	a_{rel}		
$f_N \dots f_N \pm 150$ KHz		-	max. 1,0 dB
$f_N - 124,0$ MHz ... $f_N - 28$ MHz		-	min. 12,0 dB
$f_N - 28,0$ MHz ... $f_N - 14$ MHz		-	min. 5,0 dB
$f_N + 13,5$ MHz ... $f_N + 14,5$ MHz		-	min. 30,0 dB
$f_N + 14,5$ MHz ... $f_N + 28,0$ MHz		-	min. 15,0 dB
$f_N + 28$ MHz ... $f_N + 325,0$ MHz		-	min. 38,0 dB
VSWR	within ± 150 KHz	-	max 2,0 : 1
Absolute group delay	GD	-	max. 300,0 ns
Group delay ripple within ± 150 KHz	GDD *)	-	max. 30,0 ns
Intermodulation	**) IP_3	54 dB	min. 45,0 dB
Input power level			max. 10,0 dBm
Temperature coefficient of frequency	TC_f ***)	- 71,6 ppm/K	
Operating temperature range			- 10 °C ... + 85 °C

*) measured with smoothing; smoothing aperture ≤ 50 kHz**) modulation signals: f_N and $f_N + 14$ MHz, each of 10 dBm; measured signal: $f_N - 14$ MHz***) $\Delta f(\text{Hz}) = TC_f(\text{ppm/K}) \times (\Delta T) \times f_{T0}(\text{MHz})$ **generated:** _____**checked / approved:** _____

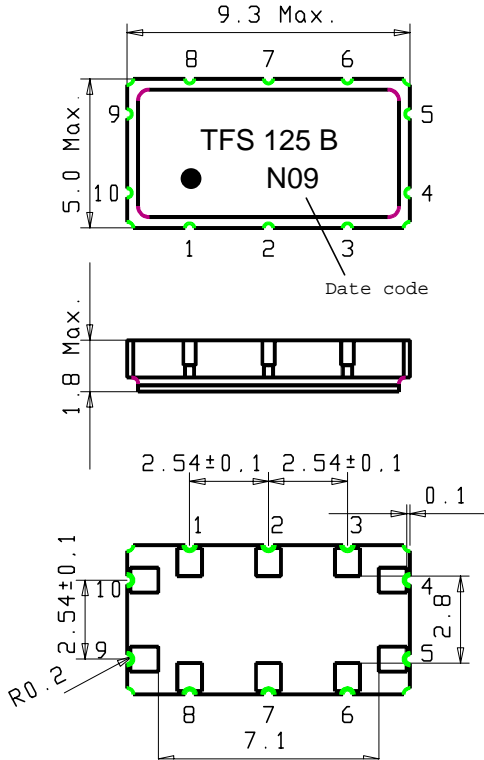
VI TELEFILTER
Potsdamer Straße 18
D 14 513 TELTOW / Germany
Tel: (+49) 3328 4784-0 / Fax: (+49) 3328 4784-30
E-Mail: tft@telefilter.com

Vectron International, Inc.
267 Lowell Road
Hudson, NH 03051 / USA
Tel: (603) 598-0070 Fax: (603) 598-0075
E-Mail: vti@vtinh.com

VI TELEFILTER reserves the right to make changes to the product(s) and/or information contained herein without notice. No liability is assumed as a result of their use or application. No rights under any patent accompany the sale of any such product(s) or information.

Construction and pin connection

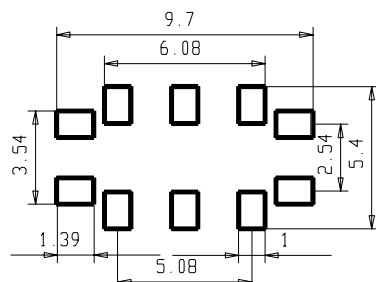
(All dimensions in mm)



- 1 Ground
- 2 Ground
- 3 Ground
- 4 Ground
- 5 Output
- 6 Ground
- 7 Ground
- 8 Ground
- 9 Ground
- 10 Input

Date code: Year+week
 L 1999
 M 2000
 N 2001
 ...

Recommended land dimensions



VI TELEFILTER
 Potsdamer Straße 18
 D 14 513 TELTOW / Germany
 Tel: (+49) 3328 4784-0 / Fax: (+49) 3328 4784-30
 E-Mail: tft@telefilter.com

Vectron International, Inc.
 267 Lowell Road
 Hudson, NH 03051 / USA
 Tel: (603) 598-0070 Fax: (603) 598-0075
 E-Mail: vti@vtinh.com

Stability characteristics

After the following tests the filter shall meet the whole specification:

1. Shock: 500g, 18 ms, half sine wave, 3 shocks each plane;
DIN IEC 68 T2 - 27
2. Vibration: 10 Hz to 500 Hz, 0,35 mm or 5g respectively, 1 octave per min, 10 cycles per plan, 3 plans;
DIN IEC 68 T2 - 6
3. Damp heat: 25 °C to 55°C / 95% r.H. / 10 cycles
(cycle) DIN IEC 68 - 2 – 30 Db
4. Resistance to solder heat (reflow): max. 2 times reflow process;
for temperature conditions refer to the attached "Air reflow temperature conditions" on page 4;

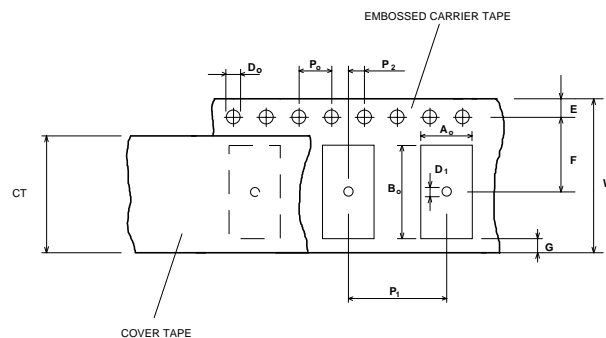
Packing

Tape & Reel: IEC 286 - 3, with exception of value for N and minimum bending radius;
tape type II, embossed carrier tape with top cover tape on the upper side;

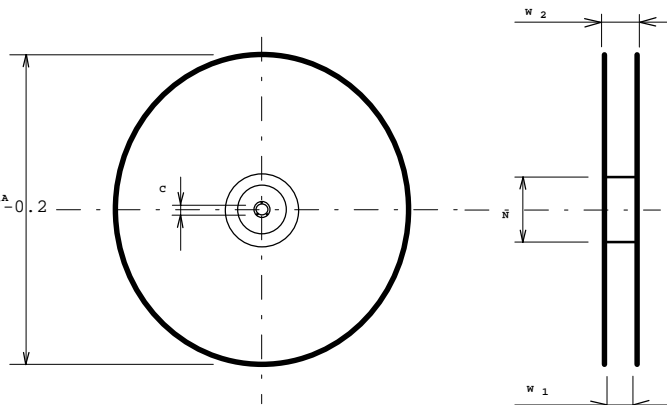
max. pieces of filters per reel: 3000
Reel of empty components at start: min 300 mm
Reel of empty components at start including leader: min 500 mm
Trailer min 300 mm

Tape (all dimensions in mm)

W	: 16 ± 0,3
Po	: 4 ± 0,1
Do	: 1,5 + 0,1
E	: 1,75 ± 0,1
F	: 7,5 ± 0,1
G (min)	: 0,60
P2	: 2 ± 0,1
P1	: 8 ± 0,1
D1(min)	: 1,5
Ao	: 5,30 ± 0,2
Bo	: 9,70 ± 0,2
CT	: 13,5 ± 0,1

**Reel (all dimensions in mm):**

A	:	330
W1	:	16,40 +2,0
W2 (max)	:	22,4
N (min)	:	50
C	:	13,0 ± 0,5/ ^A 0,2



The minimum bending radius is 45 mm. The mounting surface of the filters faces the bottom side of the embossed carrier tape. The marking of the filters is able to read if the view is directed on the upper side of the carrier tape with the sprocket holes on the right side of the tape.

VI TELEFILTER

Potsdamer Straße 18
D 14 513 TELTOW / Germany
Tel: (+49) 3328 4784-0 / Fax: (+49) 3328 4784-30
E-Mail: tft@telefilter.com

Vectron International, Inc.

267 Lowell Road
Hudson, NH 03051 / USA
Tel: (603) 598-0070 Fax: (603) 598-0075
E-Mail: vti@vtinh.com

Air reflow temperature conditions

1st and 2nd air reflow profile

Name:	pre-heating periods	main-heating periods	peak temperature
Temperature:	150 °C - 170 °C	over 200 °C	255 °C ± 5 °C
Time:	60 sec. - 90 sec.	20 sec. - 25 sec.	

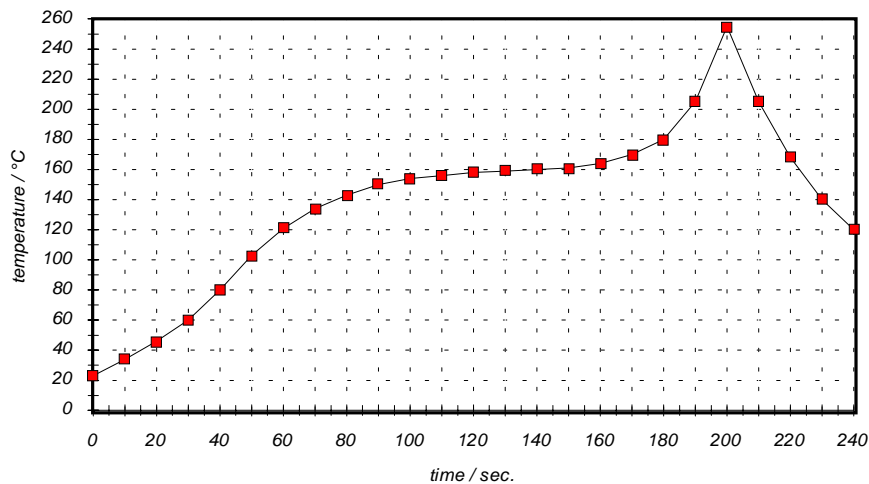
Chip-mount air reflow profile

Table for temperature vs. time during the air reflow process

Tolerance of temperatures: ± 5 °C

time / sec.	temperature / °C	time / sec.	temperature / °C
0	23	140	160
10	34	150	161
20	46	160	164
30	60	170	170
40	80	180	180
50	103	190	205
60	121	195	230
70	134	200	255
80	143	205	230
90	150	210	205
100	154	215	180
110	156	220	165
120	158	230	140
130	159	240	120

VI TELEFILTER**Filter Specification****TFS 125 B****5 / 5**

History

Version	Reason of Changes	Name	Date
1.0	- generated specification according to customer requirement specification	Steiner	06.03.2001

VI TELEFILTER
Potsdamer Straße 18
D 14 513 TELTOW / Germany
Tel: (+49) 3328 4784-0 / Fax: (+49) 3328 4784-30
E-Mail: tft@telefilter.com

Vectron International, Inc.
267 Lowell Road
Hudson, NH 03051 / USA
Tel: (603) 598-0070 Fax: (603) 598-0075
E-Mail: vti@vtinh.com

VI TELEFILTER reserves the right to make changes to the product(s) and/or information contained herein without notice. No liability is assumed as a result of their use or application. No rights under any patent accompany the sale of any such product(s) or information.