

**Features**

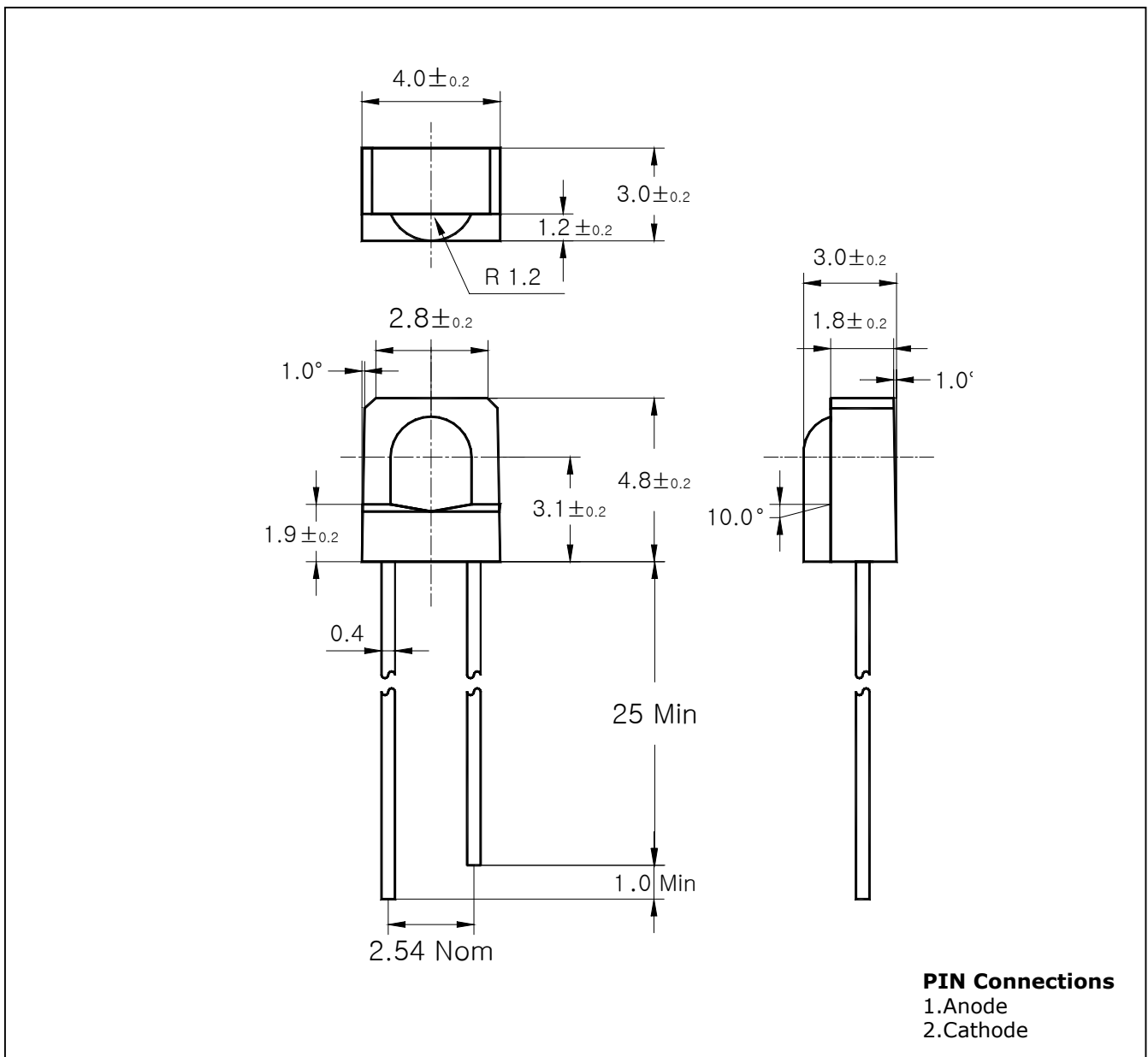
- Yellow colored transparency lens type
- Side view package (4.0mm × 4.8mm)
- Thin lead frame (Thickness : 0.4mm)

**Application**

- Backlighting lamp (Car audio etc.)
- Indicator lamp (Monitor, CD-ROM, Printer etc.)

**Outline Dimensions**

**unit : mm**



**Absolute maximum ratings**

Characteristic	Symbol	Ratings	Unit
Power Dissipation	$P_D$	65	mW
Forward Current	$I_F$	25	mA
*1Peak Forward Current	$I_{FP}$	50	mA
Reverse Voltage	$V_R$	4	V
Operating Temperature	$T_{opr}$	-25 ~ 85	°C
Storage Temperature	$T_{stg}$	-30 ~ 100	°C
*2Soldering Temperature	$T_{sol}$	260°C for 5 seconds	

\*1.Duty ratio = 1/16, Pulse width = 0.1ms

\*2.Keep the distance more than 2.0mm from PCB to the bottom of LED package

**Electrical Characteristics**

Characteristic	Symbol	Test Condition	Min.	Typ.	Max.	Unit
Forward Voltage	$V_F$	$I_F= 20mA$	-	2.0	2.7	V
Radiant Intensity	$I_E$	$I_F= 20mA$	8	18	-	mcd
Peak Wavelength	$\lambda_P$	$I_F= 20mA$	-	585	-	nm
Spectrum Bandwidth	$\Delta \lambda$	$I_F= 20mA$	-	30	-	nm
Reverse Current	$I_R$	$V_R=4V$	-	-	10	uA
Half Angle	$\theta^{1/2}$	$I_F= 20mA$	-	±18	-	deg

\*3.  $\theta^{1/2}$  is the off-axis angle where the luminous intensity is 1/2 the peak intensity

### Characteristic Diagrams

Fig. 1  $I_F - V_F$

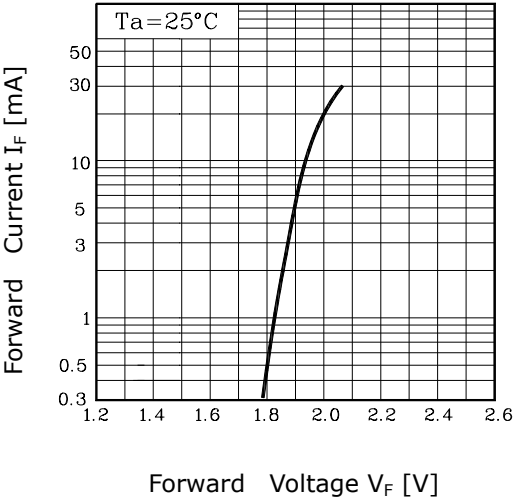


Fig. 2  $I_V - I_F$

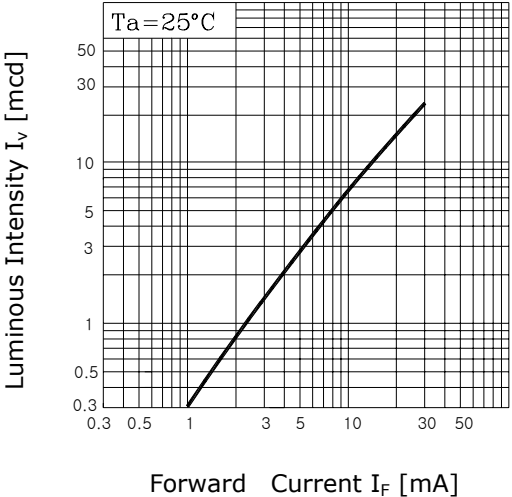


Fig. 3  $I_F - T_a$

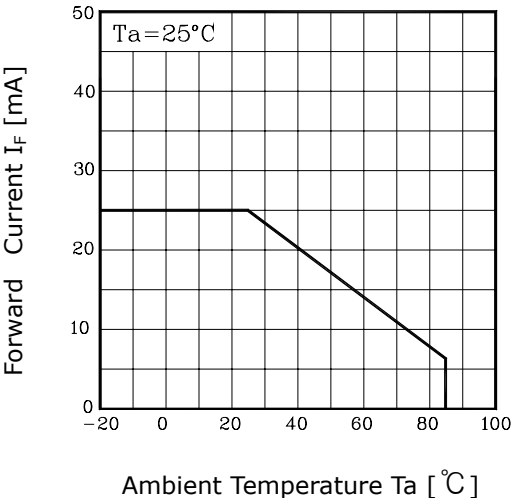


Fig.4 Spectrum Distribution

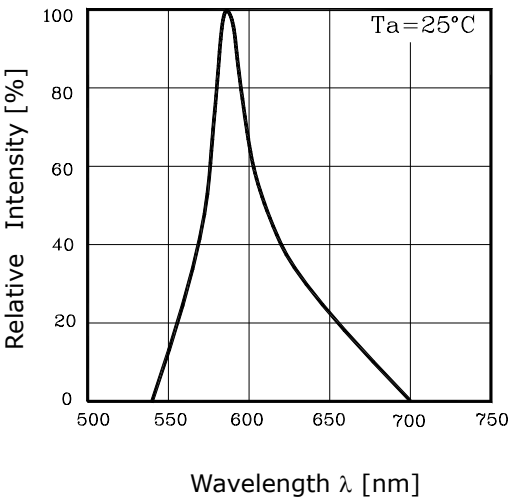


Fig. 5 Radiation Diagram

