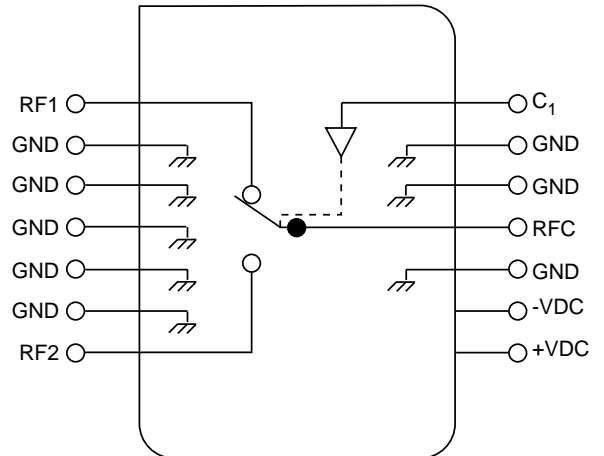


Absolute Maximum Ratings¹

Parameter	Absolute Maximum
Max. Input Power	
0.05 GHz	+27 dBm
0.5 - 3.0 GHz	+34 dBm
Supply Voltages	
V _{CC}	-0.5V to +16.5V
V _{EE}	-16.5V to +0.5V
Control Voltage	-0.5V to V _{CC} +0.5V
Operating Temperature	-55°C to +125°
Storage Temperature	-65°C to +150°C

1. Operation of this device above any one of these parameters may cause permanent damage.

Functional Schematic (Top View)



Truth Table

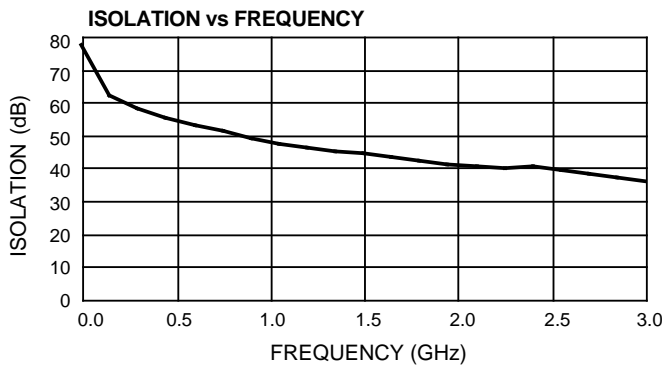
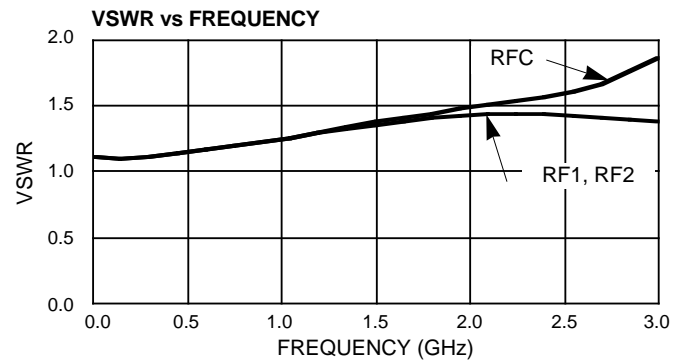
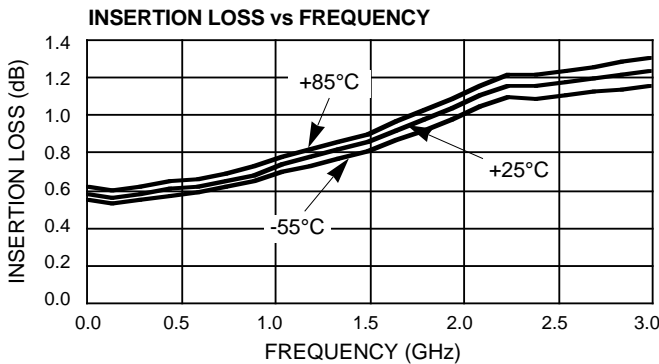
Control Inputs	Condition of Switch	
	RF Common to Each RF Port	
C1	RF1	RF2
Low	On	Off
High	Off	On

Ordering Information²

Part No.	Package
SW-137 PIN	Dual Inline

2. Contact the factory for standard or custom screening requirements

Typical Performance



Current (mA)

V _{CC}	±9 V	±12 V	±15 V
V _{EE}	8	11	15
	4	7	9

Specifications Subject to Change Without Notice.