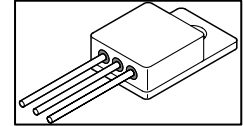


TECHNICAL DATA
DATA SHEET 305, REV. A
Formerly Part Number SHD52612

NEGATIVE ADJUSTABLE 1.5 AMP REGULATOR

FEATURES:

- ISOLATED HERMETIC PACKAGE
- SIMILAR to INDUSTRY TYPE LM137



MAXIMUM RATINGS

All ratings are at $T_A = 25^\circ\text{C}$ unless otherwise specified.

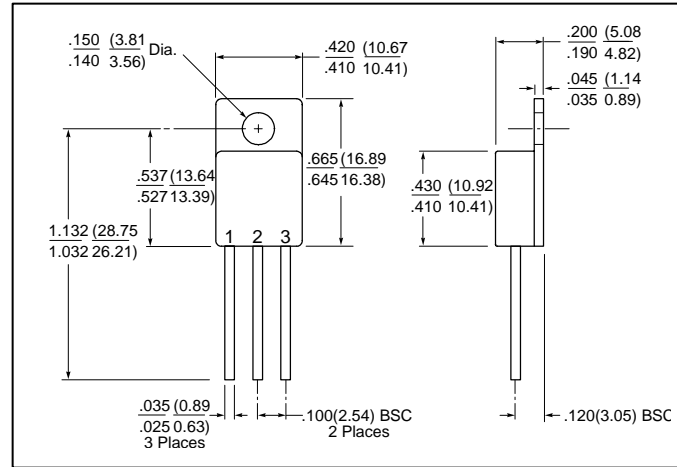
Parameter	Conditions	Typical	Limit	Units
Output Current I_{OUT}	-	-	1.5	A
Input to Output Voltage Differential	-	-	40	Vdc
Storage Temperature Range	-	-	-65 to +150	$^\circ\text{C}$
Lead Temperature	Soldering, 10 seconds	-	+300	$^\circ\text{C}$
Power Dissipation (P_D)	-	-	Internally Limited	W
Maximum Thermal Resistance Junction to Case (θ_{JC})	-	-	4.2	$^\circ\text{C}/\text{W}$
Junction Temp. (T_J)	-	-	+150	$^\circ\text{C}$
Ambient Operating Temperature Range (T_A)	Recommended Conditions	-	-55 to +150	$^\circ\text{C}$

ELECTRICAL CHARACTERISTICS

Parameter	Conditions	Min	Typ.	Limit	Units
Reference Voltage	$3.0\text{V} \leq V_{IN} - V_{OUT} \leq 40\text{V}$ $10\text{ mA} \leq I_{OUT} \leq I_{MAX}$ $P \leq P_{MAX}$ $T_A = +25^\circ\text{C}$	-1.225	-1.250	-1.275	V
Line Regulation (V_{RLINE})	$3.0\text{V} \leq V_{IN} - V_{OUT} \leq 40\text{V}$ $I_{OUT} = 10\text{mA}$	-	.01	0.02	%/V
Load Regulation (V_{RLOAD})	$10\text{mA} \leq I_{OUT} \leq I_{MAX}$	-	0.3	1.0	%
Adjust Pin Current	-	-	65	100	μA
Adjust Pin Current Change	$10\text{mA} \leq I_L \leq I_{MAX}$ $3.0\text{V} \leq V_{IN} - V_{OUT} \leq 40\text{V}$	-	2.0	5.0	μA
Minimum Load Current	$ V_{IN} - V_{OUT} = 40\text{V}$ $V_{IN} - V_{OUT} \leq 10\text{V}$	-	2.5 1.2	5.0 3.0	mA
Current Limit	$V_{IN} - V_{OUT} \leq 15\text{V}$ $ V_{IN} - V_{OUT} = 40\text{V}$	1.5 0.24	2.2 0.4	3.5 1.8	A
Temperature Stability	$-55^\circ\text{C} \leq T_J \leq +125^\circ\text{C}$	-	0.6	-	%
Ripple Rejection Ratio	$V_{OUT} = 10\text{V}$, $f = 120\text{Hz}$, $C_{ADJ} = -0\mu\text{F}$	66	60 77	-	dB
Thermal Regulation	10 ms pulse, $T_j = 25^\circ$	-	.002	0.02	%/W
Long Term Stability	$T_J = +125^\circ\text{C}$, $t = 1,000\text{hrs}$	-	0.3	1.0	%

SENSITRON
DATASHEET 305
REVISION A

MECHANICAL DIMENSIONS in inches & mm



TO-257

PINOUT TABLE

TYPE	PIN 1	PIN 2	PIN 3
TO - 257, 1.5A Regulator	ADJUST	V _{IN}	V _{OUT}

DISCLAIMER:

- 1- The information given herein, including the specifications and dimensions, is subject to change without prior notice to improve product characteristics. Before ordering, purchasers are advised to contact the Sensitron Semiconductor sales department for the latest version of the datasheet(s).
- 2- In cases where extremely high reliability is required (such as use in nuclear power control, aerospace and aviation, traffic equipment, medical equipment, and safety equipment), safety should be ensured by using semiconductor devices that feature assured safety or by means of users' fail-safe precautions or other arrangement.
- 3- In no event shall Sensitron Semiconductor be liable for any damages that may result from an accident or any other cause during operation of the user's units according to the datasheet(s). Sensitron Semiconductor assumes no responsibility for any intellectual property claims or any other problems that may result from applications of information, products or circuits described in the datasheets.
- 4- In no event shall Sensitron Semiconductor be liable for any failure in a semiconductor device or any secondary damage resulting from use at a value exceeding the absolute maximum rating.
- 5- No license is granted by the datasheet(s) under any patents or other rights of any third party or Sensitron Semiconductor.
- 6- The datasheet(s) may not be reproduced or duplicated, in any form, in whole or part, without the expressed written permission of Sensitron Semiconductor.
- 7- The products (technologies) described in the datasheet(s) are not to be provided to any party whose purpose in their application will hinder maintenance of international peace and safety nor are they to be applied to that purpose by their direct purchasers or any third party. When exporting these products (technologies), the necessary procedures are to be taken in accordance with related laws and regulations.