



SFF20N60N
SFF20N60P

14849 Firestone Boulevard · La Mirada, CA 90638
 Phone: (714) 670-SSDI (7734) · Fax: (714) 522-7424

Designer's Data Sheet

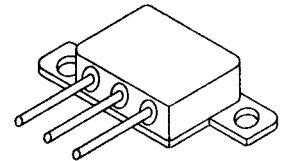
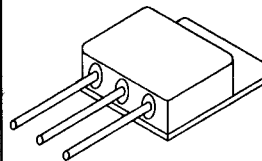
FEATURES:

- Rugged construction with polysilicon gate
- Low RDS(on) and high transconductance
- Excellent high temperature stability
- Very fast switching speed
- Fast recovery and superior dv/dt performance
- Increased reverse energy capability
- Low input and transfer capacitance for easy paralleling
- Ceramic Seals for improved hermeticity
- Hermetically sealed power package
- TX, TXV and Space Level screening available
- Replaces: IXTH20N60 Types

20 AMPS
600 VOLTS
0.40 Ω
N-CHANNEL
POWER MOSFET

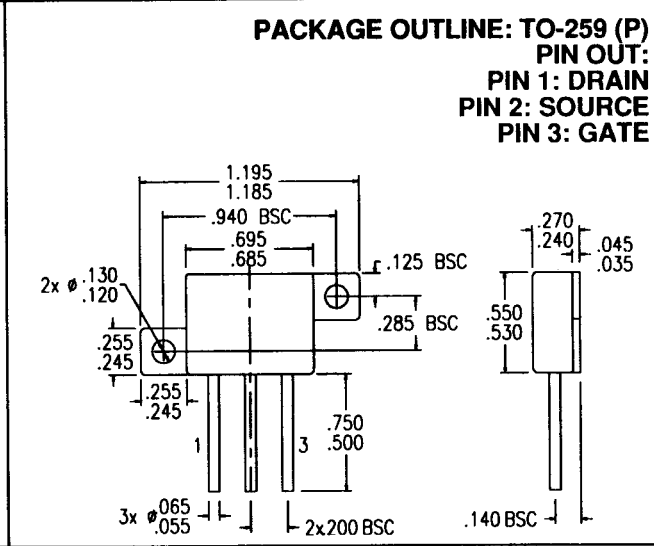
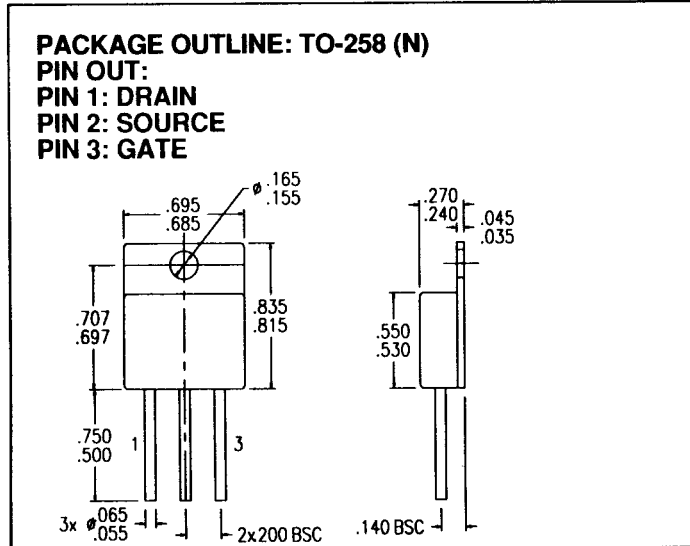
TO-258

TO-259



MAXIMUM RATINGS

CHARACTERISTIC	SYMBOL	VALUE	UNIT
Drain to Source Voltage	V _{DS}	600	Volts
Gate to Source Voltage	V _{GS}	±20	Volts
Continuous Drain Current	I _D	20	Amps
Operating and Storage Temperature	Top & Tstg	-55 to +175	°C
Thermal Resistance, Junction to Case	R _{θJC}	0.83	°C/W
Total Device Dissipation @ TC=25°C	P _D	150	Watts
Total Device Dissipation @ TC=55°C		114	



NOTE: All specifications are subject to change without notification. SCD's for these devices should be reviewed by SSDI prior to release.

DATA SHEET #: F00205 B

MED

SFF20N60N
SFF20N60P

PRELIMINARY



SOLID STATE DEVICES, INC

14849 Firestone Boulevard · La Mirada, CA 90638
Phone: (714) 670-SSDI (7734) · Fax: (714) 522-7424

ELECTRICAL CHARACTERISTICS @ T_J=25 °C (Unless Otherwise Specified)

RATING		SYMBOL	MIN	TYP	MAX	UNIT
Drain to Source Breakdown Voltage (VGS=0 V, ID=250µA)		BVDSS	600	---	---	V
Drain to Source on State Resistance (VGS=10 V, ID=60% Rated ID)		RDS(on)	---	0.35	0.40	Ω
On State Drain Current (VDS > ID(on) X RDS(on) Max, VGS=10 V)		ID(on)	20	---	---	A
Gate Threshold Voltage (VDS=VGS, ID=250µA)		VGS(th)	2.0	---	4.5	V
Forward Transconductance (VDS > ID(on) X RDS(on) Max, IDS=60% rated ID)		gfs	12	18	---	S(τ)
Zero Gate Voltage Drain Current (VDS=max rated voltage, VGS=0 V) (VDS=80% rated VDS, VGS=0 V, TA=125 °C)		IDSS	---	---	200 1000	µA
Gate to Source Leakage Forward Gate to Source Leakage Reverse	At rated VGS	IGSS	---	---	+100 -100	nA
Total Gate Charge Gate to Source Charge Gate to Drain Charge	VGS=10 Volts 80% rated VDS 50 %Rated ID	Qg Qgs Qgd	---	150 29 60	170 40 85	nC
Turn on Delay Time Rise Time Turn Off Delay Time Fall Time	VDD=50% rated VDS 50% rated ID RG=6.2Ω	td(on) tr td(off) tf	---	30 30 110 30	40 60 150 60	nsec
Diode Forward Voltage (IS=rated ID, VGS=0 V, TJ=25 °C)		VSD	---	---	1.5	V
Diode Reverse Recovery Time Reverse Recovery Charge	TJ=25 °C IF=10A di/dt=100 A/µsec	trr QRR	---	600 ---	800 ---	nsec µC
Input Capacitance Output Capacitance Reverse Transfer Capacitance	VGS=0 Volts VDS=25 Volts f= 1 MHz	Ciss Coss Crss	---	4500 420 140	---	pF

For thermal derating curves and other characteristic curves please contact SSDI Marketing Department.