

## ADSL Magnetics

For Fujitsu IC MB86670 Keywave™

- Operating temperature range: -40° C to +85° C
- PWB Process Capability: standard printed wiring board assembly techniques, total-immersion cleaning
- Meets IEC 695, 2-2 flammability requirements
- Reliability testing: shock, vibration, temperature cycling, temperature - humidity - bias

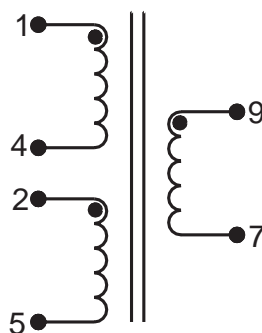
### ELECTRICAL SPECIFICATIONS AT 25° C

Part Number	Package	Turns Ratio ± 2%	Inductance <sup>2</sup> mH ±6%	Leakage Inductance µH max	DCR Ω max		Direct Capacitance pF max	Dielectric Rating Vrms min
		(1-5) : (9-7) <sup>1</sup>	(1-5) <sup>1</sup>	(1-5) <sup>3</sup>	(9-7)	(1-5) <sup>1</sup>	between (1-5) & (9-7) <sup>1</sup>	between (1-5) & (9-7) <sup>1</sup>
S560-6600-L7	SMD	2 : 1	2	10.5	1	2.55	80	1500
0560-6600-60	THT	2 : 1	2	10.5	1	2.55	80	1500

1. connect terminals 2 to 4
2. measured at 10 kHz, 0.1 Vrms
3. connect terminals 2 to 4 & 9 to 7

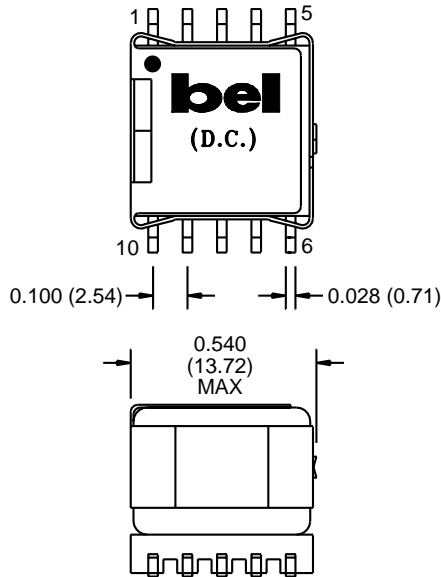
### SCHEMATIC

S560-6600-L7  
0560-6600-60

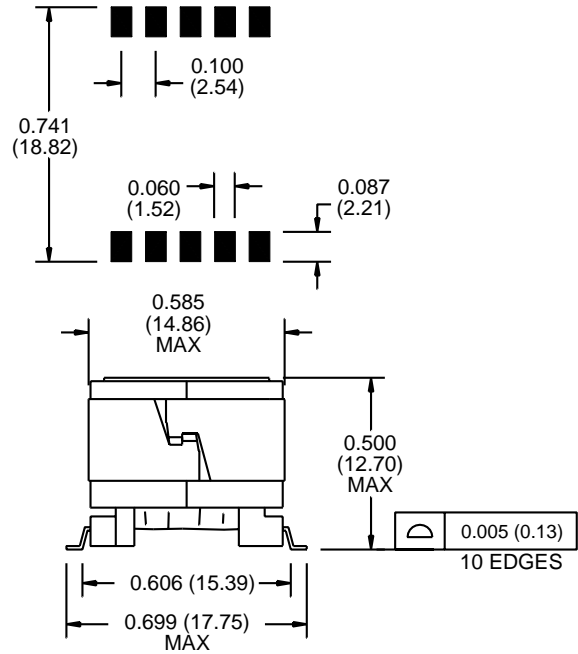


### MECHANICAL

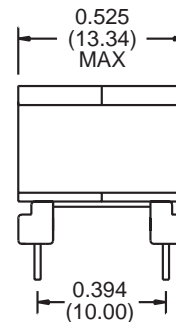
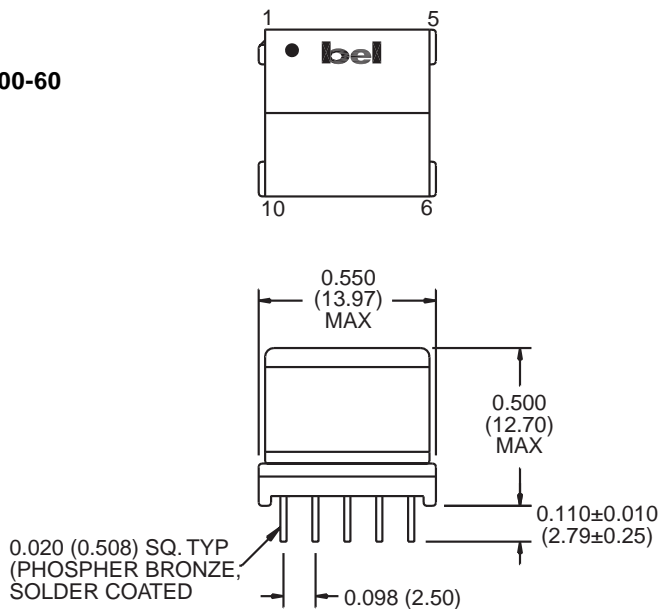
#### S560-6600-L7



#### SUGGESTED PCB PAD LAYOUT



#### 0560-6600-60



#### CORPORATE

**Bel Fuse Inc.**  
198 Van Vorst Street  
Jersey City, NJ 07302  
Tel 201-432-0463  
Fax 201-432-9542  
www.belfuse.com

#### FAR EAST

**Bel Fuse Ltd.**  
8F / 8 Luk Hop Street  
San Po Kong  
Kowloon, Hong Kong  
Tel 852-2328-5515  
Fax 852-2352-3706  
www.belfuse.com

#### EUROPE

**Bel Fuse Europe Ltd.**  
Preston Technology Management Centre  
Marsh Lane, Suite G7, Preston  
Lancashire, PR1 8UD, U.K.  
Tel 44-1772-556601  
Fax 44-1772-888366  
www.belfuse.com