

C167CS-xC, Step BA

16-Bit Single-Chip Microcontroller
Bare Die Delivery

16bit

Microcontrollers



Never stop thinking.

Edition 2001-08

**Published by Infineon Technologies AG,
St.-Martin-Strasse 53,
D-81541 München, Germany**

**© Infineon Technologies AG 2001.
All Rights Reserved.**

Attention please!

The information herein is given to describe certain components and shall not be considered as warranted characteristics.

Terms of delivery and rights to technical change reserved.

We hereby disclaim any and all warranties, including but not limited to warranties of non-infringement, regarding circuits, descriptions and charts stated herein.

Infineon Technologies is an approved CECC manufacturer.

Information

For further information on technology, delivery terms and conditions and prices please contact your nearest Infineon Technologies Office in Germany or our Infineon Technologies Representatives worldwide (see address list).

Warnings

Due to technical requirements components may contain dangerous substances. For information on the types in question please contact your nearest Infineon Technologies Office.

Infineon Technologies Components may only be used in life-support devices or systems with the express written approval of Infineon Technologies, if a failure of such components can reasonably be expected to cause the failure of that life-support device or system, or to affect the safety or effectiveness of that device or system. Life support devices or systems are intended to be implanted in the human body, or to support and/or maintain and sustain and/or protect human life. If they fail, it is reasonable to assume that the health of the user or other persons may be endangered.

C167CS-xC, Step BA

16-Bit Single-Chip Microcontroller
Bare Die Delivery

Microcontrollers



Never stop thinking.

16-Bit Single-Chip Microcontroller C166 Family

C167CS-xC

C167CS-xC

- High Performance 16-bit CPU with 4-Stage Pipeline
 - 80/60 ns Instruction Cycle Time at 25/33 MHz CPU Clock
 - 400/303 ns Multiplication (16×16 bit), 800/606 ns Division ($32/16$ bit)
 - Enhanced Boolean Bit Manipulation Facilities
 - Additional Instructions to Support HLL and Operating Systems
 - Register-Based Design with Multiple Variable Register Banks
 - Single-Cycle Context Switching Support
 - 16 MBytes Total Linear Address Space for Code and Data
 - 1024 Bytes On-Chip Special Function Register Area
- 16-Priority-Level Interrupt System with 56 Sources, Sample-Rate down to 40/30 ns
- 8-Channel Interrupt-Driven Single-Cycle Data Transfer Facilities via Peripheral Event Controller (PEC)
- Clock Generation via on-chip PLL (factors 1:1.5/2/2.5/3/4/5), via prescaler or via direct clock input
- On-Chip Memory Modules
 - 3 KBytes On-Chip Internal RAM (IRAM)
 - 8 KBytes On-Chip Extension RAM (XRAM)
 - 32 KBytes On-Chip Program Mask ROM
- On-Chip Peripheral Modules
 - 24-Channel 10-bit A/D Converter with Programmable Conversion Time down to 7.8 μ s
 - Two 16-Channel Capture/Compare Units
 - 4-Channel PWM Unit
 - Two Multi-Functional General Purpose Timer Units with 5 Timers
 - Two Serial Channels (Synchronous/Asynchronous and High-Speed-Synchronous)
 - Two On-Chip CAN Interfaces (Rev. 2.0B active) with 2×15 Message Objects (Full CAN/Basic CAN), can work on one bus with 30 objects
 - On-Chip Real Time Clock
- Up to 16 MBytes External Address Space for Code and Data
 - Programmable External Bus Characteristics for Different Address Ranges
 - Multiplexed or Demultiplexed External Address/Data Buses with 8-Bit or 16-Bit Data Bus Width
 - Five Programmable Chip-Select Signals
 - Hold- and Hold-Acknowledge Bus Arbitration Support
- Idle, Sleep, and Power Down Modes with Flexible Power Management
- Programmable Watchdog Timer and Oscillator Watchdog
- Up to 111 General Purpose I/O Lines, partly with Selectable Input Thresholds and Hysteresis

- Supported by a Large Range of Development Tools like C-Compilers, Macro-Assembler Packages, Emulators, Evaluation Boards, HLL-Debuggers, Simulators, Logic Analyzer Disassemblers, Programming Boards
- On-Chip Bootstrap Loader

This document describes several derivatives of the C167 group. **Table 1** enumerates these derivatives and summarizes the differences. As this document refers to all of these derivatives, some descriptions may not apply to a specific product.

Table 1 C167CS-xC Bare Die Derivative Synopsis

Type	Ordering Code	Program Memory	Operating Temperature	Wafers
SAK-C167CS-4RC	Q67120-D....	32 KByte ROM	-40 to +125 °C	Whole
SAK-C167CS-LC	Q67120-C2200	---	-40 to +125 °C	Sawn
SAL-C167CS-LC ¹⁾	Q67120-C2274	---	-40 to +150 °C	Sawn
SAL-C167CS-L33C ¹⁾	Q67120-C2275	---	-40 to +150 °C	Sawn

¹⁾ The designation SAL-... conforms to the valid ProElectron specification. These devices were named SAA-... formerly.

Note: The ordering codes for Mask-ROM versions are defined for each product after verification of the respective ROM code.

For simplicity all versions are referred to by the term **C167CS-xC** throughout this document.

Introduction

The C167CS-xC derivatives are high performance derivatives of the Infineon C166 Family of full featured single-chip CMOS microcontrollers. They combine high CPU performance (up to 16.5 million instructions per second) with high peripheral functionality and enhanced IO-capabilities. They also provide clock generation via PLL and various on-chip memory modules such as program ROM, internal RAM, and extension RAM.

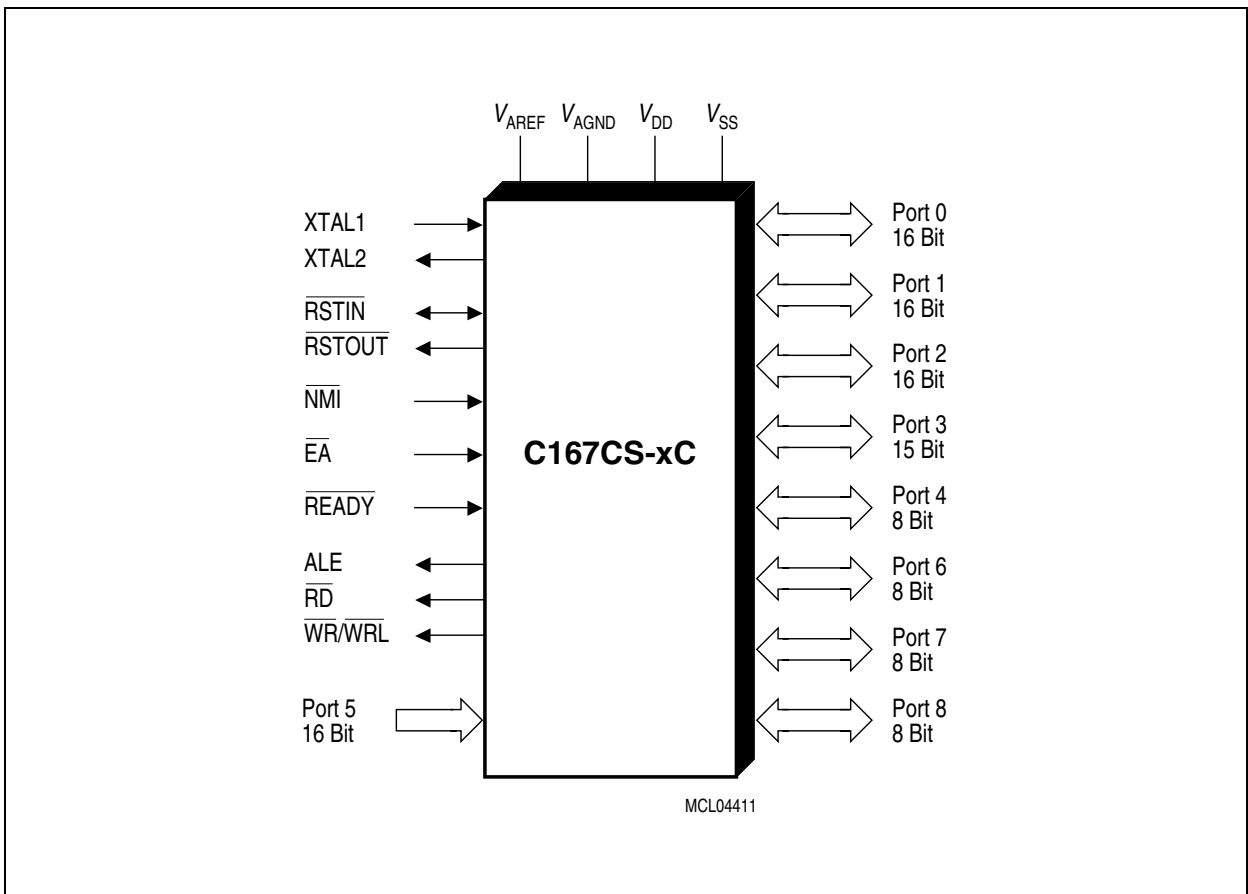


Figure 1 Logic Symbol

Pad Configuration

(top view)

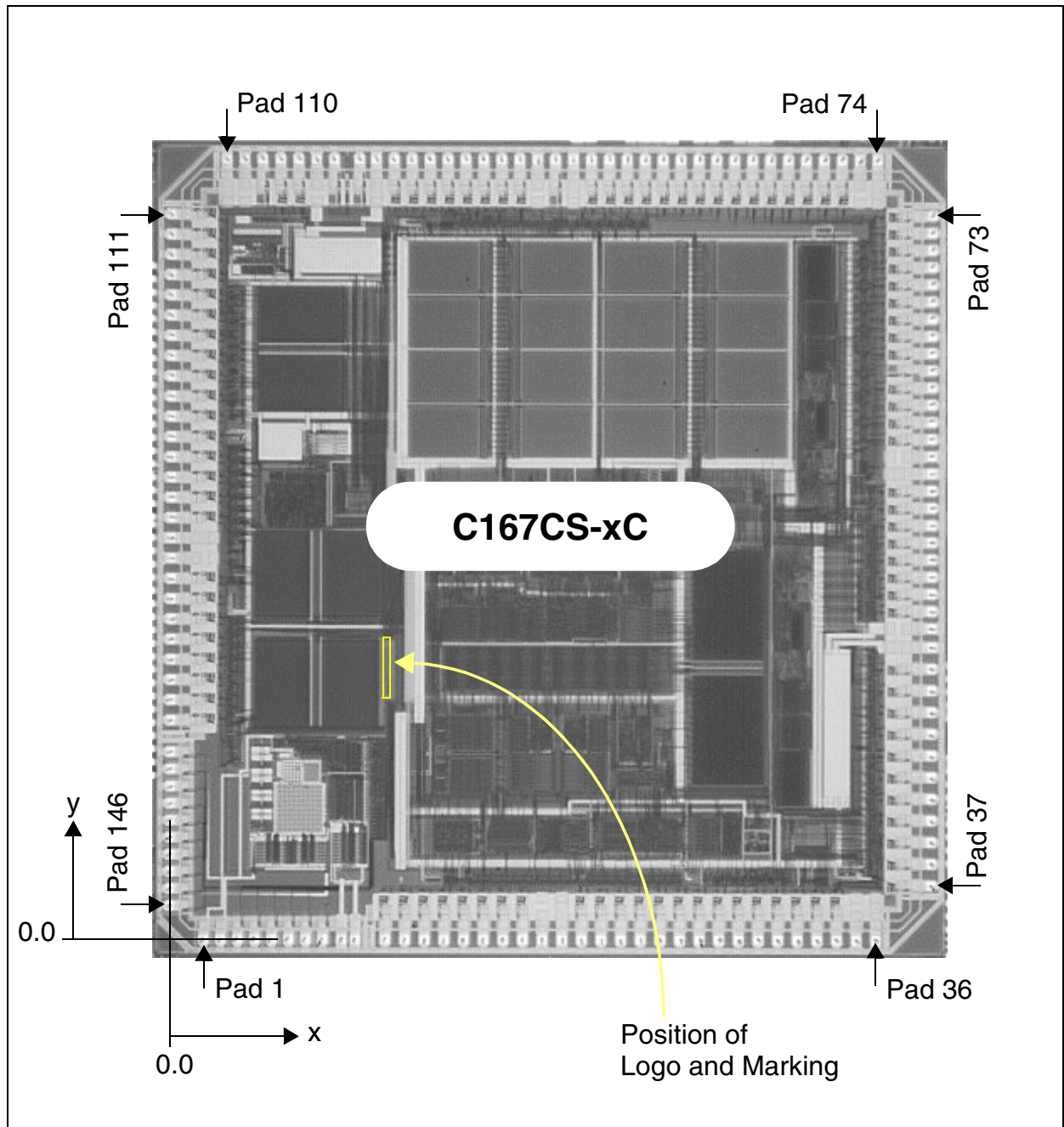


Figure 2

Several pins of Port 4 and Port 8 can have CAN interface lines assigned to them. [Table 2](#) on the following pages lists the possible assignments.

Table 2 Pad Definitions and Functions

Symbol	Pad Num	In / Out	Position [μm]		Function
			x	y	
V_{AREF}	1	-	305	0	Reference voltage for the A/D converter.
V_{AGND}	2	-	460	0	Reference ground for the A/D converter.
P5.10	3	I	615	0	Port 5 input, analog input AN10, external up/down T6EUD.
P5.11	4	I	770	0	Port 5 input, analog input AN11, external up/down T5EUD.
P5.12	5	I	925	0	Port 5 input, analog input AN12, timer input T6IN.
P5.13	6	I	1081	0	Port 5 input, analog input AN13, timer input T5IN.
P5.14	7	I	1236	0	Port 5 input, analog input AN14, external up/down T4EUD.
P5.15	8	I	1391	0	Port 5 input, analog input AN15, external up/down T2EUD.
V_{SS}	9	-	1563	0	Digital Ground.
V_{DD}	10	-	1688	0	Digital Supply Voltage.
P2.0	11	I/O	1960	0	Port 2 input/output (open drain, sp. threshold), Capture-Input/Compare-Output CC0IO.
P2.1	12	I/O	2139	0	Port 2 input/output (open drain, sp. threshold), Capture-Input/Compare-Output CC1IO.
P2.2	13	I/O	2318	0	Port 2 input/output (open drain, sp. threshold), Capture-Input/Compare-Output CC2IO.
P2.3	14	I/O	2497	0	Port 2 input/output (open drain, sp. threshold), Capture-Input/Compare-Output CC3IO.
P2.4	15	I/O	2676	0	Port 2 input/output (open drain, sp. threshold), Capture-Input/Compare-Output CC4IO.
P2.5	16	I/O	2855	0	Port 2 input/output (open drain, sp. threshold), Capture-Input/Compare-Output CC5IO.
P2.6	17	I/O	3034	0	Port 2 input/output (open drain, sp. threshold), Capture-Input/Compare-Output CC6IO.
P2.7	18	I/O	3214	0	Port 2 input/output (open drain, sp. threshold), Capture-Input/Compare-Output CC7IO.

Table 2 Pad Definitions and Functions (cont'd)

Symbol	Pad Num	In / Out	Position [μm]		Function
			x	y	
V_{SS}	19	-	3393	0	Digital Ground.
V_{DD}	20	-	3572	0	Digital Supply Voltage.
P2.8	21	I/O	3751	0	Port 2 input/output (open drain, sp. threshold), Capt. Input/Comp. Output CC8IO, Fast Interrupt EX0IN.
P2.9	22	I/O	3930	0	Port 2 input/output (open drain, sp. threshold), Capt. Input/Comp. Output CC9IO, Fast Interrupt EX1IN.
P2.10	23	I/O	4109	0	Port 2 input/output (open drain, sp. threshold), Capt. Input/Comp. Output CC10IO, Fast Interrupt EX2IN.
P2.11	24	I/O	4288	0	Port 2 input/output (open drain, sp. threshold), Capt. Input/Comp. Output CC11IO, Fast Interrupt EX3IN.
P2.12	25	I/O	4467	0	Port 2 input/output (open drain, sp. threshold), Capt. Input/Comp. Output CC12IO, Fast Interrupt EX4IN.
P2.13	26	I/O	4646	0	Port 2 input/output (open drain, sp. threshold), Capt. Input/Comp. Output CC13IO, Fast Interrupt EX5IN.
P2.14	27	I/O	4826	0	Port 2 input/output (open drain, sp. threshold), Capt. Input/Comp. Output CC14IO, Fast Interrupt EX6IN.
P2.15	28	I/O	5005	0	Port 2 input/output (open drain, sp. threshold), Capt. Input/Comp. Output CC15IO, Fast Interrupt EX7IN, Timer T7 input T7IN.
P3.0	29	I/O	5184	0	Port 3 input/output (open drain, sp. threshold), Timer T0 Input T0IN.
P3.1	30	I/O	5363	0	Port 3 input/output (open drain, sp. threshold), Timer T6 Toggle Latch Output T6OUT.
P3.2	31	I/O	5542	0	Port 3 input/output (open drain, sp. threshold), CAPREL Capture Input CAPIN.
P3.3	32	I/O	5721	0	Port 3 input/output (open drain, sp. threshold), Timer T3 Toggle Latch Output T3OUT.

Table 2 Pad Definitions and Functions (cont'd)

Symbol	Pad Num	In / Out	Position [μm]		Function
			x	y	
P3.4	33	I/O	5900	0	Port 3 input/output (open drain, sp. threshold), Timer T3 ext.up/down T3EUD.
P3.5	34	I/O	6079	0	Port 3 input/output (open drain, sp. threshold), Timer T4 Input T4IN.
V_{SS}	35	-	6258	0	Digital Ground.
V_{DD}	36	-	6437	0	Digital Supply Voltage.
P3.6	37	I/O	6936	498	Port 3 input/output (open drain, sp. threshold), Timer T3 Input T3IN.
P3.7	38	I/O	6936	695	Port 3 input/output (open drain, sp. threshold), Timer T2 Input T2IN.
P3.8	39	I/O	6936	892	Port 3 input/output (open drain, sp. threshold), SSC Master-Rec./Slave-Transmit I/O MRST.
P3.9	40	I/O	6936	1090	Port 3 input/output (open drain, sp. threshold), SSC Master-Transmit/Slave-Rec. O/I MTSR.
P3.10	41	I/O	6936	1287	Port 3 input/output (open drain, sp. threshold), ASC0 Clock/Data Output (Asyn./Syn.) TxD0.
P3.11	42	I/O	6936	1484	Port 3 input/output (open drain, sp. threshold), ASC0 Data Input (Asyn.) or I/O (Syn.) RxD0.
P3.12	43	I/O	6936	1681	Port 3 input/output (open drain, sp. threshold).
	44	O	6936	1878	High Byte Enable $\overline{\text{BHE}}$, High Byte Write Strobe $\overline{\text{WRH}}$.
P3.13	45	I/O	6936	2075	Port 3 input/output (open drain, sp. threshold), SSC Master(Slave) Clock Output(Input) SCLK.
P3.15	46	I/O	6936	2272	Port 3 input/output (open drain, sp. threshold).
	47	O	6936	2469	System Clock Output (=CPU Clock) CLKOUT, Programmable Frequency Output FOUT.
V_{DD}	48	-	6936	2666	Digital Supply Voltage.
V_{SS}	49	-	6936	2837	Digital Ground.
P4.0	50	I/O	6936	2993	Port 4 input/output, Segment Address Line A16.
P4.1	51	I/O	6936	3149	Port 4 input/output, Segment Address Line A17.
P4.2	52	I/O	6936	3306	Port 4 input/output, Segment Address Line A18.
P4.3	53	I/O	6936	3462	Port 4 input/output, Segment Address Line A19.

Table 2 Pad Definitions and Functions (cont'd)

Symbol	Pad Num	In / Out	Position [μm]		Function
			x	y	
P4.4	54	I/O	6936	3618	Port 4 input/output, Segment Address Line A20, CAN2 Receive Data Input CAN2_RxD.
P4.5	55	I/O	6936	3775	Port 4 input/output, Segment Address Line A21, CAN1 Receive Data Input CAN1_RxD.
P4.6	56	I/O	6936	3931	Port 4 input/output, Segment Address Line A22 CAN1 Transmit Data Output CAN1_TxD CAN2 Transmit Data Output CAN2_TxD.
P4.7	57	I/O	6936	4087	Port 4 input/output, Segment Address Line A23, CAN1 Receive Data Input CAN1_RxD CAN2 Transmit Data Output CAN2_TxD, CAN2 Receive Data Input CAN2_RxD.
V_{DD}	58	-	6936	4244	Digital Supply Voltage.
V_{SS}	59	-	6936	4400	Digital Ground.
\overline{RD}	60	O	6936	4556	External Memory Read Strobe \overline{RD} .
$\overline{WR}(\overline{L})$	61	O	6936	4712	External Memory Write(Low) Strobe \overline{WR} (\overline{WRL}).
\overline{READY}	62	I	6936	4869	Ready Input.
ALE	63	O	6936	5025	Address Latch Enable Output.
\overline{EA}	64	I	6936	5181	External Access Enable pin.
P0L.0	65	I/O	6936	5338	PORT0 input/output, Address/Data Line AD0.
P0L.1	66	I/O	6936	5494	PORT0 input/output, Address/Data Line AD1.
P0L.2	67	I/O	6936	5650	PORT0 input/output, Address/Data Line AD2.
P0L.3	68	I/O	6936	5807	PORT0 input/output, Address/Data Line AD3.
P0L.4	69	I/O	6936	5963	PORT0 input/output, Address/Data Line AD4.
P0L.5	70	I/O	6936	6119	PORT0 input/output, Address/Data Line AD5.
P0L.6	71	I/O	6936	6275	PORT0 input/output, Address/Data Line AD6.
P0L.7	72	I/O	6936	6432	PORT0 input/output, Address/Data Line AD7.
P0H.0	73	I/O	6936	6588	PORT0 input/output, Address/Data Line AD8.
V_{DD}	74	-	6437	7086	Digital Supply Voltage.
V_{SS}	75	-	6274	7086	Digital Ground.
P0H.1	76	I/O	6110	7086	PORT0 input/output, Address/Data Line AD9.
P0H.2	77	I/O	5947	7086	PORT0 input/output, Address/Data Line AD10.

Table 2 Pad Definitions and Functions (cont'd)

Symbol	Pad Num	In / Out	Position [μm]		Function
			x	y	
P0H.3	78	I/O	5783	7086	PORT0 input/output, Address/Data Line AD11.
P0H.4	79	I/O	5620	7086	PORT0 input/output, Address/Data Line AD12.
P0H.5	80	I/O	5456	7086	PORT0 input/output, Address/Data Line AD13.
P0H.6	81	I/O	5293	7086	PORT0 input/output, Address/Data Line AD14.
P0H.7	82	I/O	5129	7086	PORT0 input/output, Address/Data Line AD15.
P1L.0	83	I/O	4966	7086	PORT1 input/output, Address Line A0, analog input AN16.
P1L.1	84	I/O	4802	7086	PORT1 input/output, Address Line A1, analog input AN17.
P1L.2	85	I/O	4639	7086	PORT1 input/output, Address Line A2, analog input AN18.
P1L.3	86	I/O	4475	7086	PORT1 input/output, Address Line A3, analog input AN19.
P1L.4	87	I/O	4312	7086	PORT1 input/output, Address Line A4, analog input AN20.
P1L.5	88	I/O	4148	7086	PORT1 input/output, Address Line A5, analog input AN21.
P1L.6	89	I/O	3985	7086	PORT1 input/output, Address Line A6, analog input AN22.
P1L.7	90	I/O	3821	7086	PORT1 input/output, Address Line A7, analog input AN23.
V_{DD}	91	-	3658	7086	Digital Supply Voltage.
C167CS MODE	92	I	3494	7086	Must be connected to V_{DD}. ¹⁾ Standard oscillator mode, single-chip reset with PORT0-configuration.
V_{SS}	93	-	3331	7086	Digital Ground.
P1H.0	94	I/O	3167	7086	PORT1 input/output, Address Line A8.
P1H.1	95	I/O	3004	7086	PORT1 input/output, Address Line A9.
P1H.2	96	I/O	2840	7086	PORT1 input/output, Address Line A10.
P1H.3	97	I/O	2677	7086	PORT1 input/output, Address Line A11.
P1H.4	98	I/O	2513	7086	PORT1 input/output, Addr. Line A12, Capt. Input/Comp. Output CC24.

Table 2 Pad Definitions and Functions (cont'd)

Symbol	Pad Num	In / Out	Position [μm]		Function
			x	y	
P1H.5	99	I/O	2350	7086	PORT1 input/output, Addr. Line A13, Capt. Input/Comp. Output CC25.
P1H.6	100	I/O	2186	7086	PORT1 input/output, Addr. Line A14, Capt. Input/Comp. Output CC26.
P1H.7	101	I/O	2023	7086	PORT1 input/output, Addr. Line A15, Capt. Input/Comp. Output CC27.
V_{DD}	102	-	1859	7086	Digital Supply Voltage.
XTAL2	103	O	1708	7086	Output of the oscillator amplifier circuit.
XTAL1	104	I	1479	7086	Input to oscillator amplifier and internal clock generator.
V_{SS}	105	-	1316	7086	Digital Ground.
RSTIN	106	I/O	1152	7086	Reset Input with Schmitt-Trigger characteristics, output in bidirectional reset mode.
$\overline{\text{RST OUT}}$	107	O	989	7086	Internal Reset Indication Output.
NMI	108	I	825	7086	Non-Maskable Interrupt Input.
V_{SS}	109	-	662	7086	Digital Ground.
V_{DD}	110	-	498	7086	Digital Supply Voltage.
P6.0	111	I/O	0	6588	Port 6 input/output, Chip Select 0 Output $\overline{\text{CS0}}$.
P6.1	112	I/O	0	6404	Port 6 input/output, Chip Select 1 Output $\overline{\text{CS1}}$.
P6.2	113	I/O	0	6220	Port 6 input/output, Chip Select 2 Output $\overline{\text{CS2}}$.
P6.3	114	I/O	0	6036	Port 6 input/output, Chip Select 3 Output $\overline{\text{CS3}}$.
P6.4	115	I/O	0	5852	Port 6 input/output, Chip Select 4 Output $\overline{\text{CS4}}$.
P6.5	116	I/O	0	5668	Port 6 input/output, External Hold Request Input $\overline{\text{HOLD}}$.
P6.6	117	I/O	0	5485	Port 6 input/output, External Hold Acknowledge Output $\overline{\text{HLDA}}$.
P6.7	118	I/O	0	5301	Port 6 input/output, Bus Request Output $\overline{\text{BREQ}}$.
P8.0	119	I/O	0	5117	Port 8 input/output, Capt.-Input/Comp.-Output CC16IO, CAN1 Receive Data Input CAN1_RxD, CAN2 Receive Data Input CAN2_RxD.

Table 2 Pad Definitions and Functions (cont'd)

Symbol	Pad Num	In / Out	Position [μm]		Function
			x	y	
P8.1	120	I/O	0	4933	Port 8 input/output, Capt.-Input/Comp.-Output CC17IO, CAN1 Transmit Data Output CAN1_TxD, CAN2 Transmit Data Output CAN2_TxD.
P8.2	121	I/O	0	4749	Port 8 input/output, Capt.-Input/Comp.-Output CC18IO, CAN1 Receive Data Input CAN1_RxD, CAN2 Receive Data Input CAN2_RxD.
P8.3	122	I/O	0	4565	Port 8 input/output, Capt.-Input/Comp.-Output CC19IO, CAN1 Transmit Data Output CAN1_TxD, CAN2 Transmit Data Output CAN2_TxD.
P8.4	123	I/O	0	4381	Port 8 input/output, Capt.-Input/Comp.-Output CC20IO.
P8.5	124	I/O	0	4197	Port 8 input/output, Capt.-Input/Comp.-Output CC21IO.
P8.6	125	I/O	0	4013	Port 8 input/output, Capt.-Input/Comp.-Output CC22IO.
P8.7	126	I/O	0	3829	Port 8 input/output, Capt.-Input/Comp.-Output CC23IO.
V_{DD}	127	-	0	3646	Digital Supply Voltage.
V_{SS}	128	-	0	3462	Digital Ground.
P7.0	129	I/O	0	3278	Port 7 input/output, (open drain, sp. threshold), PWM Channel Output POUT0.
P7.1	130	I/O	0	3094	Port 7 input/output, (open drain, sp. threshold), PWM Channel Output POUT1.
P7.2	131	I/O	0	2910	Port 7 input/output, (open drain, sp. threshold), PWM Channel Output POUT2.
P7.3	132	I/O	0	2726	Port 7 input/output, (open drain, sp. threshold), PWM Channel Output POUT3.
P7.4	133	I/O	0	2542	Port 7 input/output, (open drain, sp. threshold), Capt.-Input/Comp.-Output CC28IO.
P7.5	134	I/O	0	2358	Port 7 input/output, (open drain, sp. threshold), Capt.-Input/Comp.-Output CC29IO.

Table 2 Pad Definitions and Functions (cont'd)

Symbol	Pad Num	In / Out	Position [μm]		Function
			x	y	
P7.6	135	I/O	0	2174	Port 7 input/output, (open drain, sp. threshold), Capt.-Input/Comp.-Output CC30IO.
P7.7	136	I/O	0	1990	Port 7 input/output, (open drain, sp. threshold), Capt.-Input/Comp.-Output CC31IO.
P5.0	137	I	0	1701	Port 5 input, analog input AN0.
P5.1	138	I	0	1546	Port 5 input, analog input AN1.
P5.2	139	I	0	1391	Port 5 input, analog input AN2.
P5.3	140	I	0	1236	Port 5 input, analog input AN3.
P5.4	141	I	0	1081	Port 5 input, analog input AN4.
P5.5	142	I	0	925	Port 5 input, analog input AN5.
P5.6	143	I	0	770	Port 5 input, analog input AN6.
P5.7	144	I	0	615	Port 5 input, analog input AN7.
P5.8	145	I	0	460	Port 5 input, analog input AN8.
P5.9	146	I	0	305	Port 5 input, analog input AN9.

¹⁾ Prepared to enable Enhanced Mode, i.e. low-power oscillator mode, single-chip reset with $\overline{\text{RD/ALE}}$ -configuration.

*Note: All V_{SS} pads and all V_{DD} pads must be connected to the system ground and the power supply, respectively.
The pad definitions and locations in this table are only valid for the indicated device and design step.*

Handling Of Unconnected Pads

Signal input stages may generate undesired switching noise and cross-current when left open. Respect the following precautions for unconnected (not bonded) pads:

Table 3 Precautions for Unconnected Pads

Pad Type	Recommended Action	Related Pads
Power Supply	<i>Always connect!</i>	V_{DD} , V_{SS} , V_{AREF} , V_{AGND}
Standard IO pads	Switch to output	PORT0, PORT1 ¹⁾ , P2, P3, P4, P6, P7, P8
Input port pads	Disable input stages via P5DIDIS	P5
Double-bond ports	Connect port pad (43, 46), if the alternate output (44, 47) is used. ²⁾	P3.12 (43/44), P3.15 (46/47)
Configuration lines	<i>Always connect!</i>	\overline{EA} , C167CSMODE, \overline{RD} ³⁾
Required control lines	<i>Always connect!</i>	XTAL1, \overline{RSTIN} , \overline{NMI}
Optional control lines	Can be left open	\overline{RD} ³⁾ , $\overline{WR(L)}$, \overline{READY} , ALE, \overline{RSTOUT}

¹⁾ The lower part of PORT1 (P1L) may be left open and its input stages can then be disabled via P1DIDIS.

²⁾ Port pad is input in this case! If the port pad is used, the corresponding alternate output pad may be left open.

³⁾ Pin \overline{RD} can be used for configuration to disable the OWD. Otherwise it is held high by an internal pullup.

Functional Description

As the standard packaged devices are made from this silicon the C167CS-xC dies provide exactly the same functionality and behaviour. Also the DC characteristics and AC characteristics are compatible with those of the packaged devices.

For a description of the functionality and the DC and AC parameters please refer to the following documents (or later versions thereof):

- C167CS-4R/-L Data Sheet, Version 2.2, 2001-08
- C167CS Derivatives User's Manual, Version 2.0, 2000-07

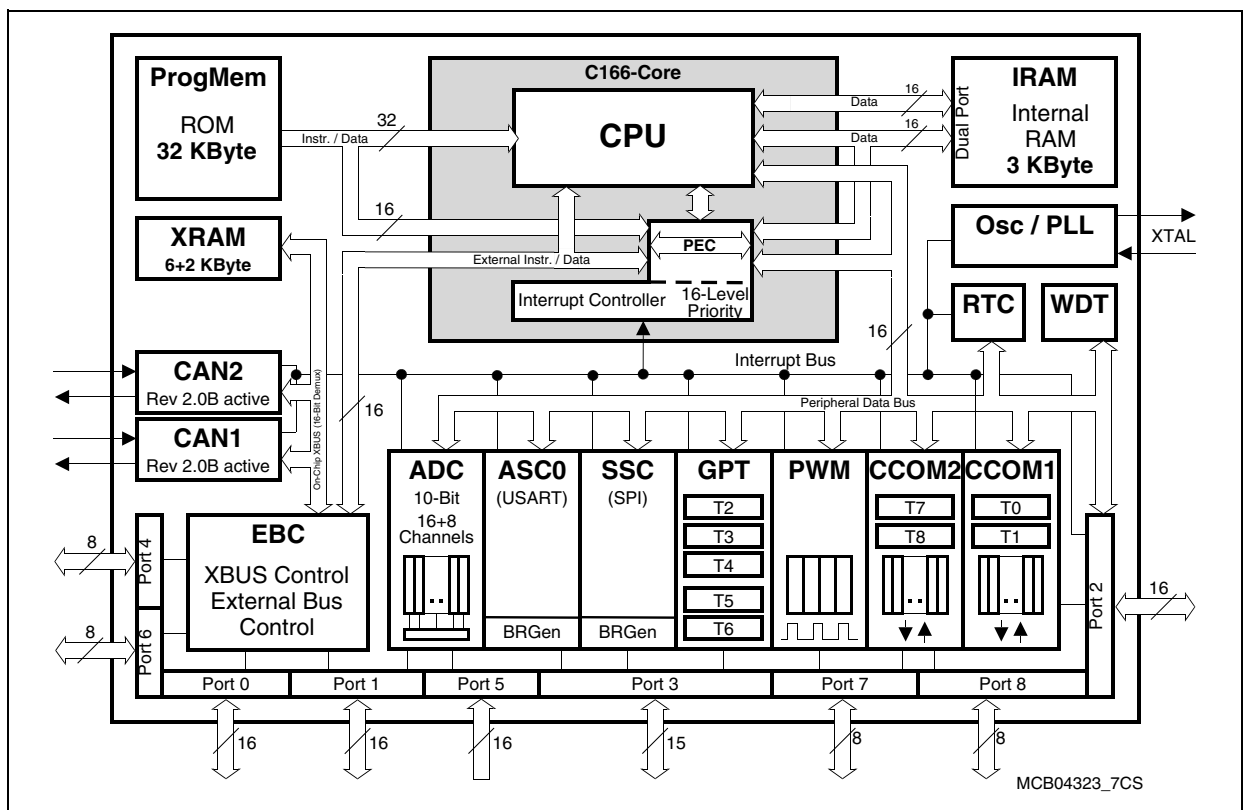


Figure 3 Block Diagram

Absolute Maximum Ratings

Table 4 Absolute Maximum Rating Parameters

Parameter	Symbol	Limit Values		Unit	Notes
		min.	max.		
Storage temperature	T_{ST}	-65	150	°C	
Junction temperature	T_J	-40	150	°C	under bias
Voltage on V_{DD} pins with respect to ground (V_{SS})	V_{DD}	-0.5	6.5	V	
Voltage on any pin with respect to ground (V_{SS})	V_{IN}	-0.5	$V_{DD} + 0.5$	V	
Input current on any pin during overload condition		-10	10	mA	
Absolute sum of all input currents during overload condition		-	100	mA	

Note: Stresses above those listed under “Absolute Maximum Ratings” may cause permanent damage to the device. This is a stress rating only and functional operation of the device at these or any other conditions above those indicated in the operational sections of this specification is not implied. Exposure to absolute maximum rating conditions for extended periods may affect device reliability. During absolute maximum rating overload conditions ($V_{IN} > V_{DD}$ or $V_{IN} < V_{SS}$) the voltage on V_{DD} pins with respect to ground (V_{SS}) must not exceed the values defined by the absolute maximum ratings.

Storage Conditions

The C167CS-xC dies may be stored for a certain time under the conditions described below.

Table 5 Bare Die Storage Conditions and Duration

Packing	Environment	Temperature	Rel. Humidity	Storage Time
Vacuum pack	Air	15 ... 30 °C	< 60 %	< 4 Months

Operating Conditions

The following operating conditions must not be exceeded in order to ensure correct operation of the C167CS-xC. All parameters specified in the following sections refer to these operating conditions, unless otherwise noticed.

Table 6 Operating Condition Parameters

Parameter	Symbol	Limit Values		Unit	Notes
		min.	max.		
Digital supply voltage	V_{DD}	4.5	5.5	V	Active mode, $f_{CPUmax} = 33$ MHz
		2.5 ¹⁾	5.5	V	PowerDown mode
Digital ground voltage	V_{SS}	0		V	Reference voltage
Overload current	I_{OV}	-	± 5	mA	Per pin ²⁾ ³⁾
Absolute sum of overload currents	$\Sigma I_{OV} $	-	50	mA	³⁾
External Load Capacitance	C_L	-	50	pF	Pin drivers in fast edge mode ⁴⁾
Temperature of the bottom side of the die	T_D	-40	150	°C	SAL-C167CS-xC...
		-40	125	°C	SAK-C167CS-xC...

¹⁾ Output voltages and output currents will be reduced when V_{DD} leaves the range defined for active mode.

²⁾ Overload conditions occur if the standard operating conditions are exceeded, i.e. the voltage on any pin exceeds the specified range (i.e. $V_{OV} > V_{DD} + 0.5V$ or $V_{OV} < V_{SS} - 0.5V$). The absolute sum of input overload currents on all pins may not exceed **50 mA**. The supply voltage must remain within the specified limits. Proper operation is not guaranteed if overload conditions occur on functional pins such as XTAL1, \overline{RD} , \overline{WR} , etc.

³⁾ Not 100% tested, guaranteed by design and characterization.

⁴⁾ The timing is valid for pin drivers in high current or dynamic current mode. The reduced static output current in dynamic current mode must be respected when designing the system.

Chip Outline

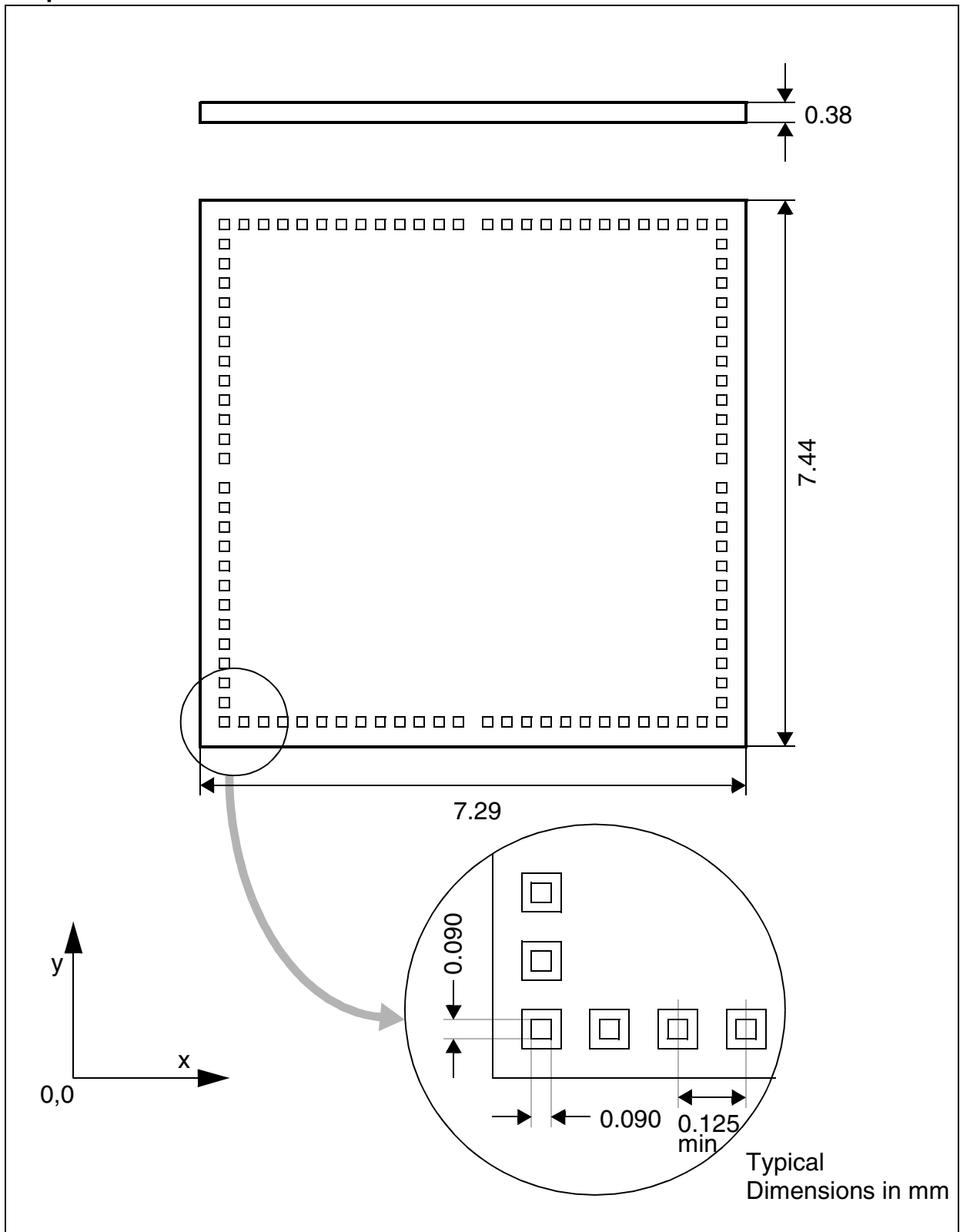


Figure 4

Table 7 Wafer Characteristics

Item	Characteristic
Chips per wafer	262 (geometrically)
Metallization layers	2
Metallization material	AlCu
Metallization thickness	Met1: 450 nm, Met2: 800 nm
Metallization barrier material	Ti
Metallization isolation	SOG-CMP
Metallization material on pads	AlSiCu (Al 98.5% - Si 1% - Cu 0.5%)
Passivation	Oxide (300 nm) + nitride (500 nm)
Backside metallization ¹⁾	None (silicon)
Inkdot diameter	1.0 - 1.3 typical

¹⁾ The backside of the chip can either be left unconnected or must be connected to V_{SS} .

The wafers are glued to a plastic tape which is fixed within a plastic ring (see [Figure 5](#)). Wafers can be shipped in one piece or sawn into individual dies.

*Note: Please refer also to the document "**Bare Die Packing Information**".*

Wafer Outline

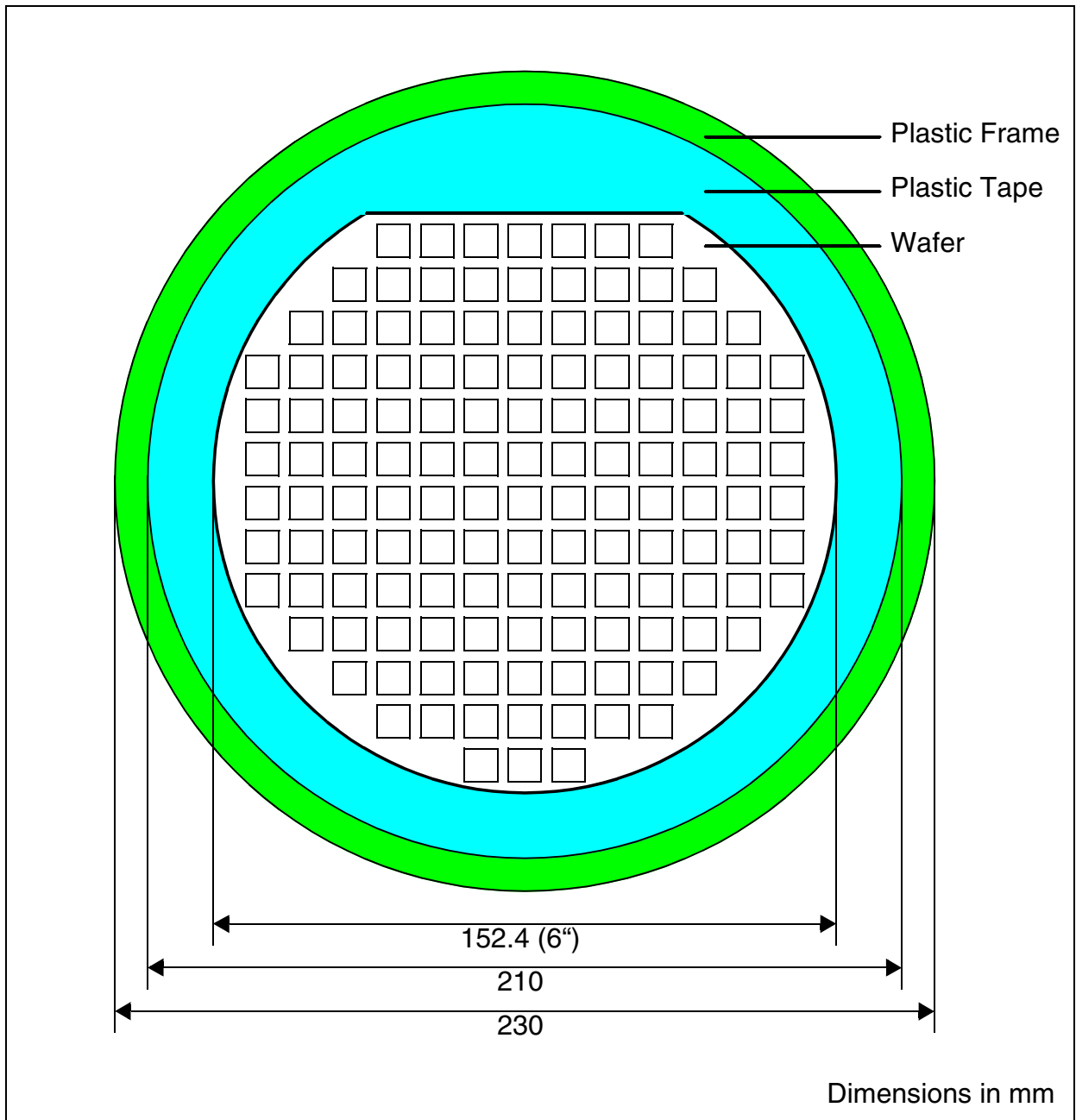


Figure 5

Infineon goes for Business Excellence

“Business excellence means intelligent approaches and clearly defined processes, which are both constantly under review and ultimately lead to good operating results.

Better operating results and business excellence mean less idleness and wastefulness for all of us, more professional success, more accurate information, a better overview and, thereby, less frustration and more satisfaction.”

Dr. Ulrich Schumacher

<http://www.infineon.com>