

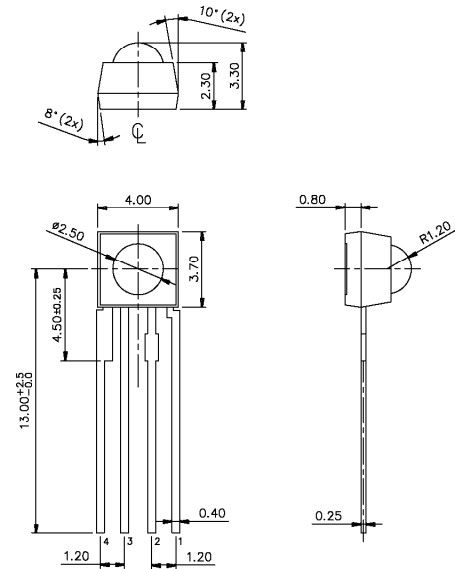
Features:

- 1. Photo detectors integrated in IC circuit
- 2. Four photo detectors and two latch outputs

Applications:

- 1. Mouse
- 2. Knob

Outside Dimension : Unit (mm)



- Notes
- 1) All dimensions are in millimeters.
 - 2) Tolerance is ±0.25mm unless otherwise note.
 - 3) Protruded resin under flange 0.5 mm Max.
 - 4) Lead spacing measured where the leads emerge from the package.
- Pin 1: Ground
Pin 2: Vcc
Pin 3: Output A
Pin 4: Output B

Absolute Maximum Ratings

(Ta=25°C, unless otherwise specified)

Characteristics	Symbol	Rating	Unit
Supply voltage	Vcc	-0.2 ~ 7	V
Other voltage		-0.3 ~ Vcc +0.3	V
Operating temperature	Topr	-20 ~ +75	°C
Storage temperature	Tstr	-20 ~ +80	°C

Optical-electrical characteristics :

(Ta=25°C, unless otherwise specified)

Parameter	Test Conditions	Symbol	Min.	Typ.	Max.	Unit
Supply voltage		Vcc	2.0	5	5.5	V
Supply current	Vcc=5.5V all output low	Icc		0.1	3	µA
Output current	Vcc=5V, Voh=4.5V	Ioh			-450	µA
	Vcc=5V, Vol=0.5V	Iol	2.5			mA

Timing chart :

