

Shielded, SMT Power Inductors

Special Features

- High current capacity
- Magnetic shielded for low radiation
- Ferrite bobbin core
- Low core loss for high frequency power application
- Compact size
- Large terminal surface for good PCB bonding
- Easy access for reflow soldering inspection
- Operating temperature -30 to +100°C
- Tape & reel packaged 500/reel

Typical Applications

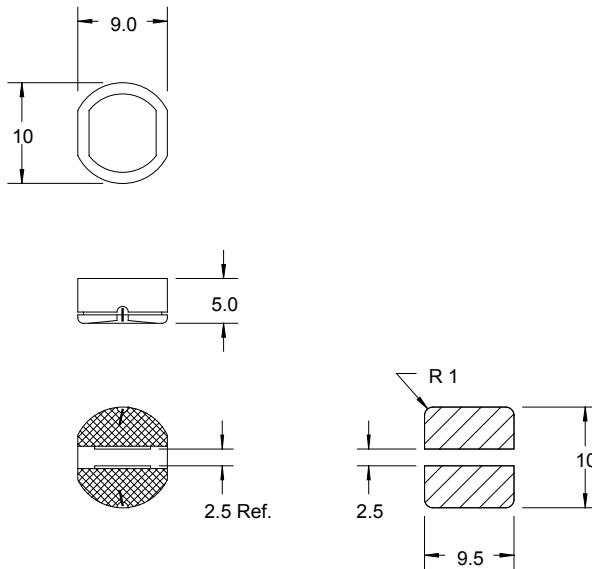
- Desktop, notebook computers, servers
- Network hubs, bridges, routers
- xDSL, PBX base stations
- PDAs, MP3 players
- Digital TV, DVD, cable modems, DSS set-top boxes
- Battery chargers
- High frequency wireless communication devices
- Electronic game devices
- Industrial electronics

Notes

* Current to cause 10% of inductance drop, or 40°C temperature rise

| PM105SB Series | | | | | |
|----------------|----------------|------------|-------------------|-----------------|------------|
| Part Number | L (uH) ±20% | Test Freq. | SRF (MHz) Typ. | DCR (Ω) Max. | I, DC* (A) |
| PM105SB-100M | 10 | 2.52MHz | 29 | 0.06 | 2.06 |
| PM105SB-120M | 12 | 2.52MHz | 26 | 0.07 | 1.94 |
| PM105SB-150M | 15 | 2.52MHz | 24 | 0.07 | 1.72 |
| PM105SB-180M | 18 | 2.52MHz | 21 | 0.08 | 1.58 |
| PM105SB-220M | 22 | 2.52MHz | 18 | 0.08 | 1.42 |
| PM105SB-270M | 27 | 2.52MHz | 17 | 0.10 | 1.32 |
| ± 15% | | | | | |
| PM105SB-330L | 33 | 2.52MHz | 14 | 0.11 | 1.16 |
| PM105SB-390L | 39 | 2.52MHz | 14 | 0.12 | 1.10 |
| PM105SB-470L | 47 | 2.52MHz | 11 | 0.14 | 1.00 |
| PM105SB-560L | 56 | 2.52MHz | 11 | 0.19 | 0.93 |
| PM105SB-680L | 68 | 2.52MHz | 10 | 0.21 | 0.85 |
| PM105SB-820L | 82 | 2.52MHz | 9 | 0.28 | 0.79 |
| ± 10% | | | | | |
| PM105SB-101K | 100 | 1KHz | 8 | 0.34 | 0.72 |
| PM105SB-121K | 120 | 1KHz | 7 | 0.37 | 0.63 |
| PM105SB-151K | 150 | 1KHz | 6 | 0.51 | 0.55 |
| PM105SB-181K | 180 | 1KHz | 5 | 0.57 | 0.50 |
| PM105SB-221K | 220 | 1KHz | 5 | 0.78 | 0.47 |
| PM105SB-271K | 270 | 1KHz | 5 | 0.87 | 0.41 |
| PM105SB-331K | 330 | 1KHz | 4 | 1.20 | 0.37 |
| PM105SB-391K | 390 | 1KHz | 3 | 1.34 | 0.35 |
| PM105SB-471K | 470 | 1KHz | 3 | 1.50 | 0.33 |

Also available as RoHS compliant.



Dimensions: mm
Tolerance: +/- 0.5

Pad Layout

J.W. Miller
MAGNETICS

306 E. Alondra Blvd. Gardena, CA 90247-1059 • Phone (310) 515-1720 • FAX (310) 515-1962