

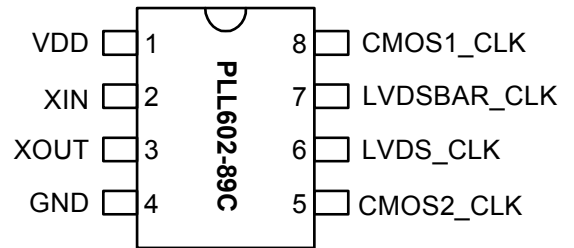
12-27 MHz XO IC with 1 Pair of LVDS and 2 CMOS Outputs

FEATURES

- Low jitter XO for the 12MHz to 27MHz range.
- Integrated crystal load capacitor: no external load capacitor required.
- 1 pair of LVDS outputs and 2 CMOS outputs.
- 12-27 MHz fundamental crystal input.
- Low jitter (RMS): 2.5 ps period jitter (1 sigma).
- 2.5V to 3.3V operation.
- Available in 8-Pin SOIC package.

PIN CONFIGURATION

(Top View)

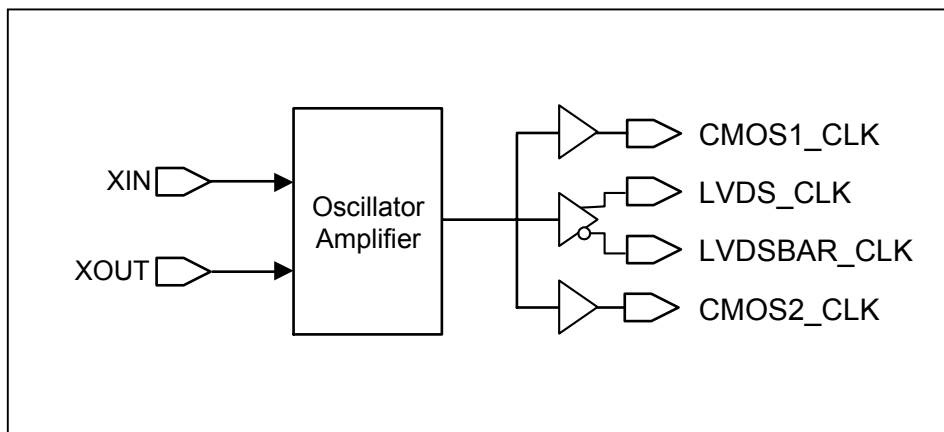


(8 pin SOIC)

DESCRIPTION

The PLL602-89C is a high performance multiple output XO IC chip. It provides 1 pair of LVDS and 2 CMOS outputs. The chip combines a crystal oscillator (XO) with a multiple-output buffer. It accepts a low cost fundamental parallel resonant mode crystal from 12MHz to 27MHz, which is reproduced at the outputs. The very low jitter (2.5 ps RMS period jitter) makes this chip ideal for data and telecommunication applications.

BLOCK DIAGRAM



12-27 MHz XO IC with 1 Pair of LVDS and 2 CMOS Outputs

PIN DESCRIPTION

Name	Pin Number	Type	Description
VDD	1	P	Power Supply.
XIN	2	I	Crystal input. This is the input of the crystal oscillator circuitry. The crystal should be mounted as close to the IC as possible, with minimum parasitic capacitance.
XOUT	3	I	Crystal output. This is the output of the crystal oscillator circuitry. The crystal should be mounted as close to the IC as possible, with minimum parasitic capacitance.
GND	4	P	Ground.
CMOS2_CLK	5	O	CMOS output.
LVDS_CLK	6	O	LVDS output.
LVDSBAR_CLK	7	O	LVDS complementary output.
CMOS1_CLK	8	O	CMOS output.

ELECTRICAL SPECIFICATIONS

1. Absolute Maximum Ratings

PARAMETERS	SYMBOL	MIN.	MAX.	UNITS
Supply Voltage	V_{DD}		4.6	V
Input Voltage, dc	V_i	-0.5	$V_{DD}+0.5$	V
Output Voltage, dc	V_o	-0.5	$V_{DD}+0.5$	V
Storage Temperature	T_s	-65	150	°C
Ambient Operating Temperature*	T_A	-40	85	°C
Junction Temperature	T_J		125	°C
Lead Temperature (soldering, 10s)			260	°C
ESD Protection, Human Body Model			2	kV

Exposure of the device under conditions beyond the limits specified by Maximum Ratings for extended periods may cause permanent damage to the device and affect product reliability. These conditions represent a stress rating only, and functional operations of the device at these or any other conditions above the operational limits noted in this specification is not implied.

* Note: Operating Temperature is guaranteed by design for all parts (COMMERCIAL and INDUSTRIAL), but tested for COMMERCIAL grade only.

2. Crystal Specifications

PARAMETERS	SYMBOL	CONDITIONS	MIN.	TYP.	MAX.	UNITS
Crystal Resonator Frequency	F_{XIN}	Parallel Fundamental Mode	12		27	MHz
Crystal Loading Rating	$C_L (xtal)$			21.5		pF
Recommended ESR	R_E				30	Ω

12-27 MHz XO IC with 1 Pair of LVDS and 2 CMOS Outputs

3. General Electrical Specifications

PARAMETERS	SYMBOL	CONDITIONS	MIN.	TYP.	MAX.	UNITS	
Operating Voltage	V_{DD}		2.25		3.63	V	
Supply Current, Dynamic (with Loaded Outputs)	I_{DD}	CMOS outputs loaded with 15pF, LVDS outputs loaded with 100 Ω	$F_{out} = 12$ MHz		15	20	mA
			$F_{out} = 25$ MHz		20	25	
Short Circuit Current				± 50		mA	

4. AC Electrical Specifications

PARAMETERS	SYMBOL	CONDITIONS	MIN.	TYP.	MAX.	UNITS
Input Crystal Frequency			12		27	MHz
Output Clock Rise Time	t_r	0.8V ~ 2.0V with 10 pF load			1.5	ns
	t_r	0.3V ~ 3.0V with 15 pF load		2	5	
Output Clock Fall Time	t_f	2.0V ~ 0.8V with 10 pF load			1.5	
	t_f	3.0V ~ 0.3V with 15pF load		2	5	
Output Clock Duty Cycle		Measured @ 1.25 V (LVDS)	45	50	55	%
		Measured @ 50% V_{DD} (CMOS)	45	50	55	

5. Jitter Specifications

PARAMETERS	CONDITIONS	FREQUENCY	MIN.	TYP.	MAX.	UNITS
Period jitter RMS	With capacitive decoupling between VDD and GND.	25MHz		2.5	4	ps
Peak to Peak jitter	With capacitive decoupling between VDD and GND. Over 10,000 cycles.	25MHz		18	30	ps

6. CMOS Output Electrical Specifications

PARAMETERS	SYMBOL	CONDITIONS	MIN.	TYP.	MAX.	UNITS
Output High Voltage	V_{OH}	$I_{OH} = -12$ mA	2.4			V
Output Low Voltage	V_{OL}	$I_{OL} = 12$ mA			0.4	V
Output High Voltage at CMOS level	V_{OHC}	$I_{OH} = -4$ mA	$V_{DD} - 0.4$			V
Output drive current		At TTL level	10			mA

7. CMOS Switching Characteristics

PARAMETERS	SYMBOL	CONDITIONS	MIN.	TYP.	MAX.	UNITS
Output Clock Rise/Fall Time (Standard Drive)		0.8V ~ 2.0V with 10 pF load		1.15		ns
		0.3V ~ 3.0V with 15 pF load		2.4		
Output Clock Rise/Fall Time (High Drive)		0.8V ~ 2.0V with 10 pF load		0.5		
		0.3V ~ 3.0V with 15 pF load		1.5		

12-27 MHz XO IC with 1 Pair of LVDS and 2 CMOS Outputs

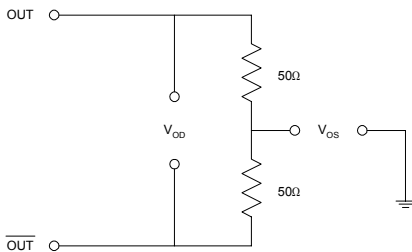
8. LVDS Electrical Characteristics

PARAMETERS	SYMBOL	CONDITIONS	MIN.	TYP.	MAX.	UNITS
Output Differential Voltage	V_{OD}	$R_L = 100 \Omega$ (see figure)	247	355	454	mV
V_{DD} Magnitude Change	ΔV_{OD}		-50		50	mV
Output High Voltage	V_{OH}			1.4	1.6	V
Output Low Voltage	V_{OL}		0.9	1.1		V
Offset Voltage	V_{OS}		1.125	1.2	1.375	V
Offset Magnitude Change	ΔV_{OS}		0	3	25	mV
Power-off Leakage	I_{OXD}	$V_{out} = V_{DD}$ or GND $V_{DD} = 0V$		± 1	± 10	μA
Output Short Circuit Current	I_{OSD}			-5.7	-8	mA

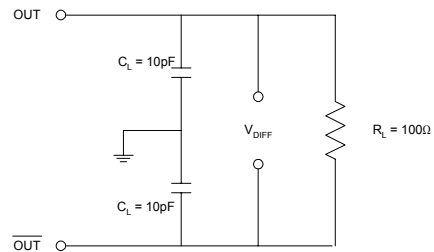
9. LVDS Switching Characteristics

PARAMETERS	SYMBOL	CONDITIONS	MIN.	TYP.	MAX.	UNITS
Differential Clock Rise Time	t_r	$R_L = 100 \Omega$ $C_L = 10 \text{ pF}$ (see figure)	0.2	0.7	1.0	ns
Differential Clock Fall Time	t_f		0.2	0.7	1.0	ns

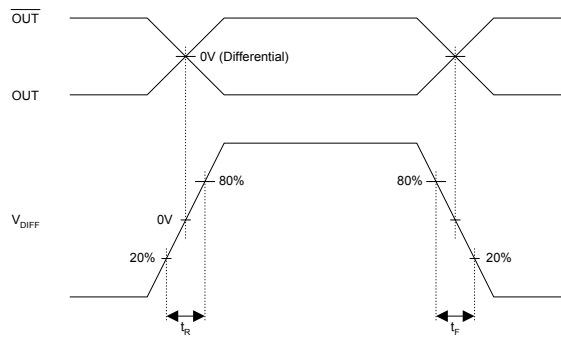
LVDS Levels Test Circuit



LVDS Switching Test Circuit



LVDS Transition Time Waveform



12-27 MHz XO IC with 1 Pair of LVDS and 2 CMOS Outputs

PACKAGE INFORMATION

8 PIN SOIC (mm)		
Narrow SOIC		
Symbol	Min.	Max.
A	1.47	1.73
A ₁	0.10	0.25
B	0.33	0.51
C	0.19	0.25
D	4.80	4.95
E	3.80	4.00
H	5.80	6.20
L	0.38	1.27
e	1.27 BSC	

ORDERING INFORMATION

For part ordering, please contact our Sales Department:

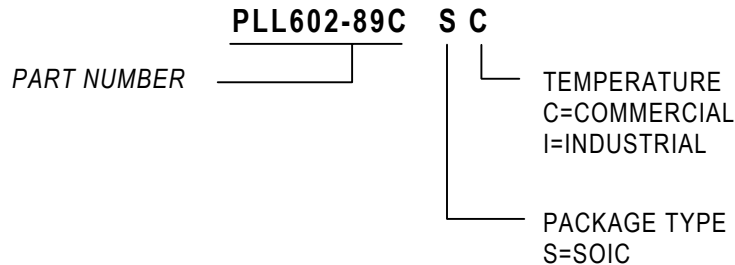
47745 Fremont Blvd., Fremont, CA 94538, USA

Tel: (510) 492-0990 Fax: (510) 492-0991

PART NUMBER

The order number for this device is a combination of the following:

Device number, Package type and Operating temperature range



Order Number	Marking	Package Option
PLL602-89CSC-R	P602-89C SC	SOIC - Tape and Reel
PLL602-89CSC	P602-89C SC	SOIC - Tube

PhaseLink Corporation, reserves the right to make changes in its products or specifications, or both at any time without notice. The information furnished by Phaselink is believed to be accurate and reliable. However, PhaseLink makes no guarantee or warranty concerning the accuracy of said information and shall not be responsible for any loss or damage of whatever nature resulting from the use of, or reliance upon this product.

LIFE SUPPORT POLICY: PhaseLink's products are not authorized for use as critical components in life support devices or systems without the express written approval of the President of PhaseLink Corporation.