

Heatsink

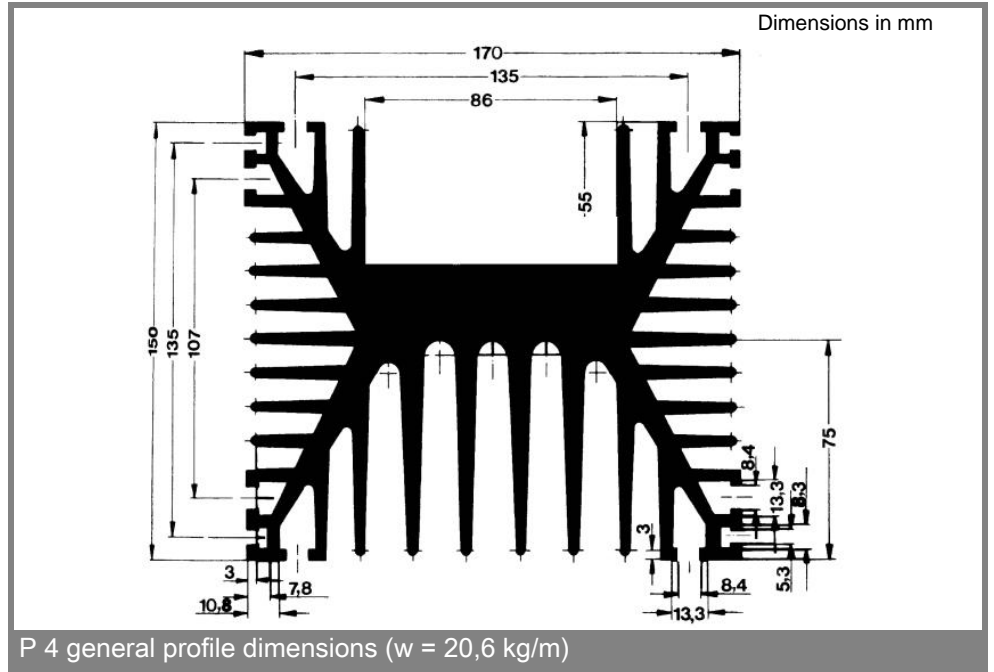
For stud devices

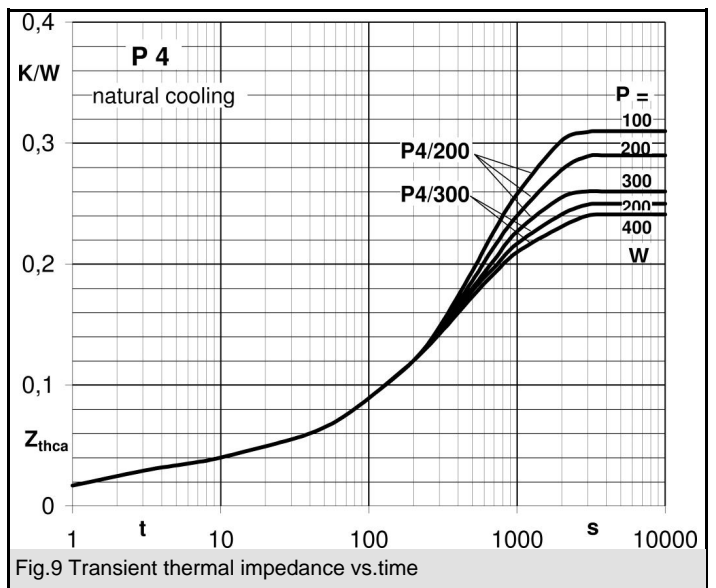
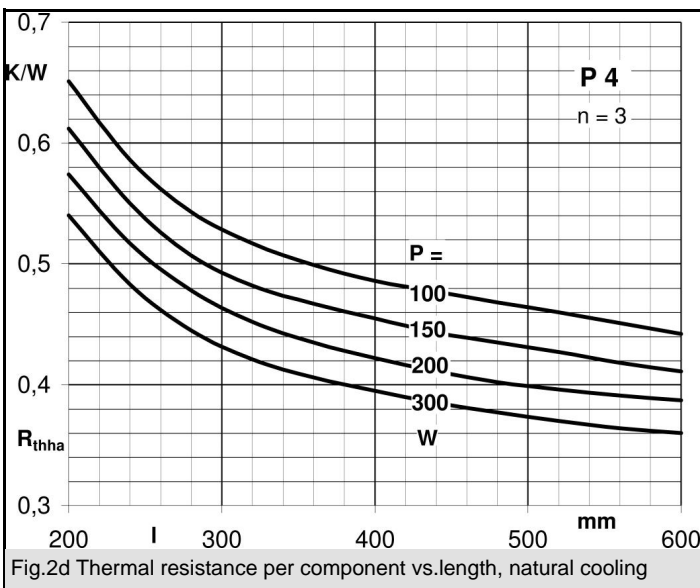
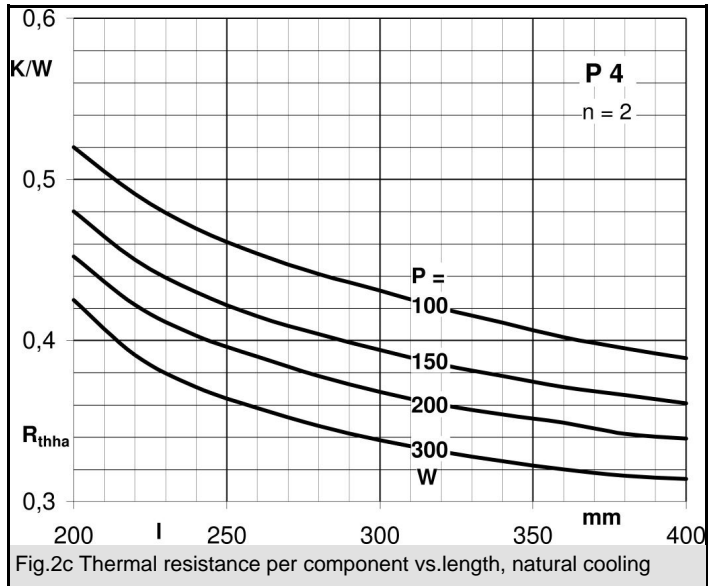
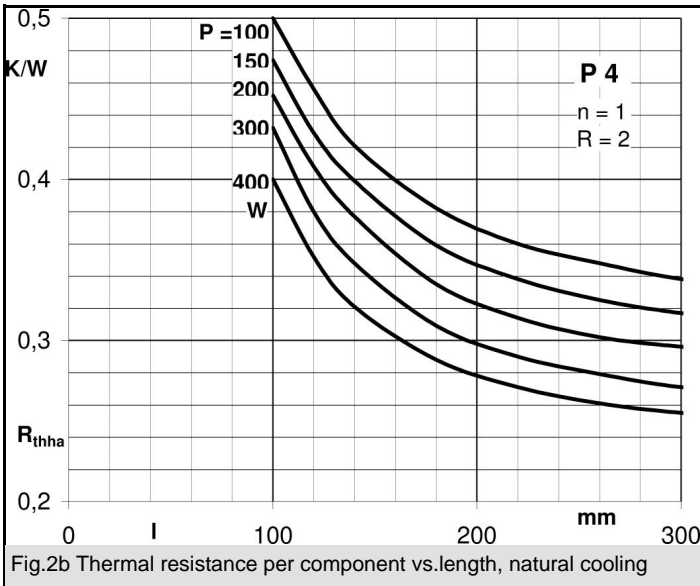
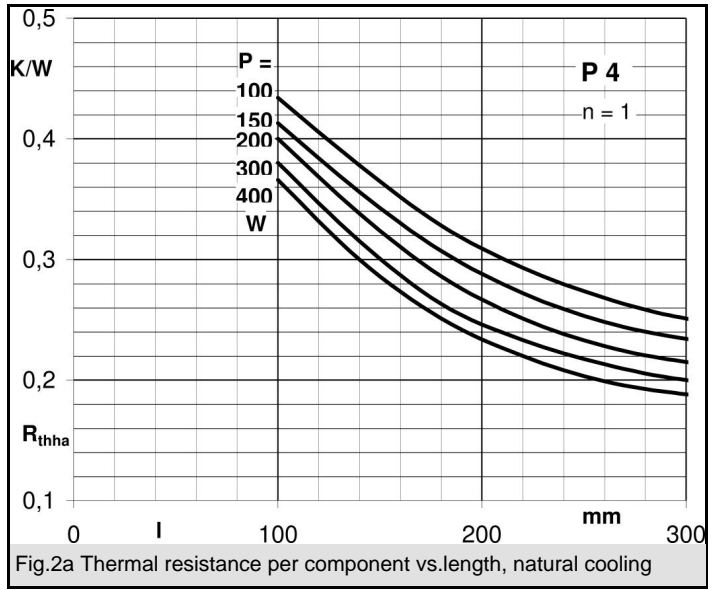
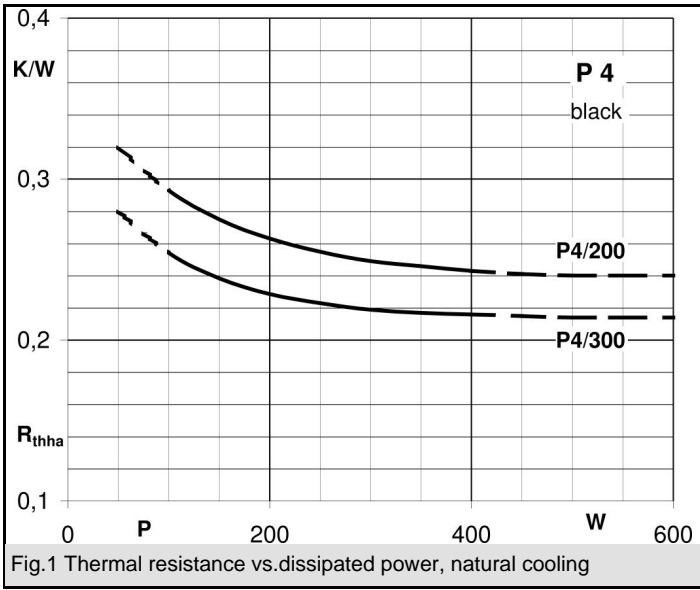
P 4

Features

- Intended for natural air cooling at high currents (e.g. for railway substations, power supplies for telecommunication)
- Designed for discrete stud devices
- Available in various lengths

Standard lengths	n	b / d Ø mm	R _{thca} (P = 200W) natural cooling K/W	R _{thca} K/W	w kg
P4/200-M16x1,5			0,29		4,1
P4/200-M24x1,5			0,27		

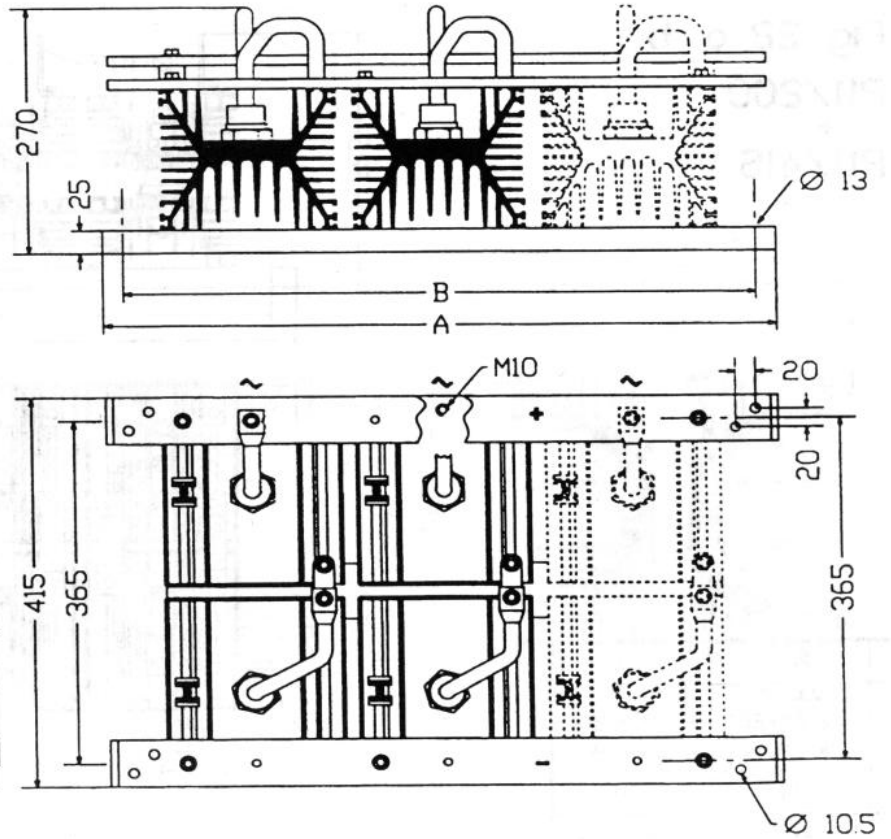




Dimensions in mm

P4/200

	B2 4 x P4/200	B6 6 x P4/200
A	475	660
B	435	620

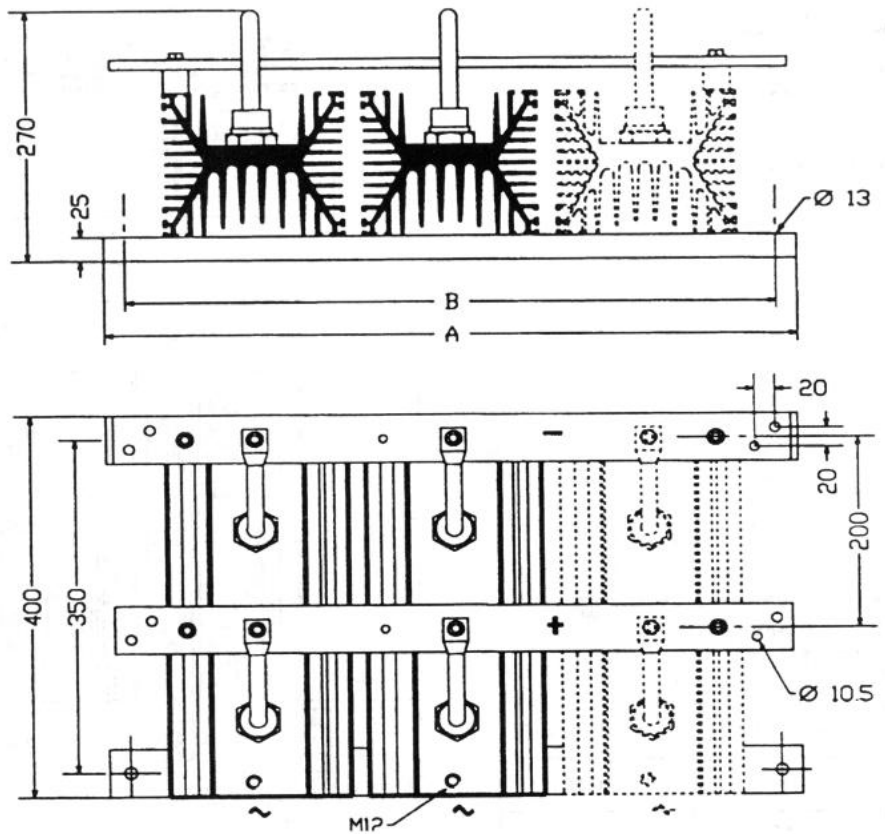


1. Application example using 4x / 6x heatsink P 4/200 to give a single or three phase bridge rectifier stacks

Dimensions in mm

P4/400

	B2 2 x P4/400	B6 3 x P4/400
A	475	660
B	435	620



2. Application example using 2x / 3x heatsink P 4/400 to give a single or three phase bridge rectifier stacks