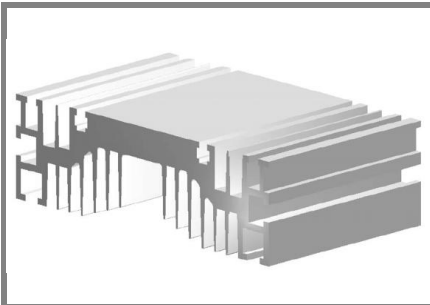


P 15



Heatsink

For isolated power modules

P 15

Features

- Intended for isolated power modules: the SEMIPACK and SEMITRANS ranges, also for the SEMIPONT bridge rectifier range
- Designed mainly for forced air cooling
- Available in various lengths

Standard lengths	n	b / d Ø mm	R_{thha} natural cooling K/W	R_{thha} $V_{air} = 4 \text{ m/s}$ K/W	w kg
P 15/180	1		0,75	0,25	1,7
	2		0,70		

