

ORCA® ORLI10G Quad 2.5 Gbits/s 10 Gbits/s, and 12.5 Gbits/s Line Interface FPSC

Introduction

Agere Systems Inc. has developed a new ORCA Series 4 based FPSC which combines a high-speed line interface with a flexible FPGA logic core. Built on the Series 4 reconfigurable embedded system-on-chips (SoC) architecture, the ORLI10G consists of an OIF standard (OIF 99.102.5) compliant XSBI or OIF-SFI4-01.0 SFI-4, 10 Gbits/s or 12.5 Gbits/s transmit and 10 Gbits/s or 12.5 Gbits/s receive line interface. Both transmit and receive interfaces consist of 16-bit LVDS data up to 850 Mbits/s, integrated transmit and receive programmable PLLs for data rate conversions between the line-side and system-side data rates, and a programmable logic interface at the system end for use with SONET/SDH, Ethernet, or OTN/digital wrapper with strong FEC system device data standards. In addition to the embedded functionality, the device will include up to 400k of usable FPGA gates. The line interface includes logic to divide the data rate down to 212 MHz or less (1/4 line rate) or 106 MHz or less (1/8 line rate) for transfer to the FPGA logic. The ORLI10G is designed to connect directly to Agere's 10 Gbits/s TTRN0110G MUX and TRCV0110G deMUX or Agere's 12.5 Gbits/s TTRN0126 MUX and TRCV0126 deMUX on the line side, as well as other industry-standard devices. The programmable logic interface on the system side allows for direct connection to a 10 Gbits/s Ethernet MAC, a 10 Gbits/s SONET/SDH framer/data engine, or a 10 Gbits/s/12.5 Gbits/s digital wrapper/FEC framer/data engine.

For 10 Gbits/s Ethernet, the ORLI10G supports the physical coding sublayer (PCS), interfaces to the physical media attachment (PMA), and connects to the system interface (host or switch) for the proposed IEEE® 802.3ae 10 Gbits/s serial LAN PHY.

The ORLI10G FPSC is a high-speed programmable device for 10G/s data solutions. It can be used as the interface between the line interface and the system interface in a variety of emerging networks, including 10 Gbits/s SONET/SDH (OC-192/STM-48), 10 Gbits/s optical transport networks (OTN) using digital wrapper and strong FEC, or 10 Gbits/s Ethernet. Other functions include use in Quad OC-48/STM-16 SONET/SDH systems, interfaces between Quad OC-48/STM-16 and OC-192/STM-64 components, and use as a generic data transfer mechanism between two devices at 10 Gbits/s rates. Data is received at the line interface and then sent to either a 4-bit or 8-bit serial-to-parallel converter. On the transmit interface, either a 4-bit or 8-bit parallel-to-serial converter is used. Thus, the data rate at the internal FPGA interface is either 1/4 or 1/8 the line rate.

The programmable PLLs on the ORLI10G provide for great flexibility in handling clock rate conversion due to differing amounts of overhead bits in various system data standards. For example, the ORLI10G can divide down the STS-192/STM-64 SONET/SDH data line rate of 622 MHz by 4 to synchronize with a 155 MHz system clock, or the 12.5 Gbits/s Super-FEC data line rate of 781 MHz can be divided by 8 to 98 MHz system clock or by 8 x 4/5 to provide a 78 MHz system data rate.

Table 1. ORCA ORLI10G—Available FPGA Logic

Device	PFU Rows	PFU Columns	Total PFUs	User I/Os*	LUTs	EBR Blocks	EBR Bits (k)	Usable Gates (k)
ORLI10G	36	36	1296	432	10,368	12	111	380—800

* 192 user I/Os for the 416 PBGAM package and 316 user I/Os for the 680 PBGAM package are available out of the 432 possible user I/Os.

Note: The embedded core and interface are not included in the above gate counts. The usable gate counts range from a logic-only gate count to a gate count assuming 20% of the PFUs/SLICs being used as RAMs. The logic-only gate count includes each PFU/SLIC (counted as 108 gates/PFU), including 12 gates per LUT/FF pair (eight per PFU), and 12 gates per SLIC/FF pair (one per PFU). Each of the four PIO groups are counted as 16 gates (three FFs, fast-capture latch, output logic, CLK, and I/O buffers). PFUs used as RAM are counted at four gates per bit, with each PFU capable of implementing a 32 x 4 RAM (or 512 gates) per PFU. Embedded block RAM (EBR) is counted as four gates per bit, plus each block has an additional 25k gates. 7k gates are used for each PLL and 50k gates for the embedded system bus and microprocessor interface logic. Both the EBR and PLLs are conservatively utilized in the gate count calculations.

Table of Contents

Contents	Page	Contents	Page
Introduction.....	1	ORLI10G Embedded Programmable PLLs	
Embedded Function Features	4	Specifications	32
Intellectual Property Features.....	4	ORLI10G Reset Requirements.....	32
Programmable Features.....	4	Line Interface Circuit Specifications	33
Programmable Logic System Features	6	Power Supply Decoupling LC Circuit	33
Description.....	7	XGMII ORCA 4E Receive Analysis	34
FPSC Definition	7	XGMII Considerations	34
FPSC Overview	7	Absolute Maximum Ratings.....	35
FPSC Gate Counting	7	Recommended Operating Conditions	35
FPGA/Embedded Core Interface	7	Embedded Core LVDS I/O	36
ORCA Foundry Development System	7	LVDS Receiver Buffer Requirements.....	37
FPSC Design Kit	8	Timing Characteristics	38
FPGA Logic Overview.....	8	Receive Input Data Interface.....	38
PLC Logic	8	Transmit STS-48/STS-192 (2.5G/10G) Data	
Programmable I/O.....	9	Outputs	39
Routing.....	9	Input/Output Buffer Measurement Conditions	
System-Level Features.....	10	(Non-LVDS Buffer)	40
Microprocessor Interface	10	LVDS Buffer Characteristics	41
System Bus	10	Termination Resistor	41
Phase-Locked Loops	10	LVDS Driver Buffer Capabilities	41
Embedded Block RAM.....	10	Pin Information	42
Configuration.....	11	Package Pinouts	47
Additional Information	11	Package Thermal Characteristics Summary	65
ORLI10G Overview	11	Θ JA	65
Device Layout	11	ψ JC	65
10G Mode	11	Θ JC	65
2.5G Mode	12	Θ JB	65
Receive Path Details	15	FPSC Maximum Junction Temperature	65
Line Interface	15	Package Thermal Characteristics.....	66
DeMUX	15	Heat Sink Vendors for BGA Packages	66
Onboard Receive PLLs.....	15	Package Coplanarity	66
Transmit Path Details	17	Package Parasitics	67
MUX	17	Package Outline Diagrams.....	68
Onboard Transmit PLLs.....	17	Terms and Definitions	68
Line Interface	17	416-Pin PBGAM.....	69
ORLI10G Demultiplexer (Rx) Detail	19	680-Pin PBGAM.....	70
ORLI10G Multiplexer (Tx) Detail	25	Hardware Ordering Information	71
ORLI10G Embedded PLLs.....	31	Software Ordering Information	71

Table of Contents (continued)

List of Figures	Page	List of Tables	Page
Figure 1. ORCA ORLI10G Block Diagram	13	Table 1. ORCA ORLI10G—Available FPGA Logic ...	1
Figure 2. 10G (Single-Channel) and 2.5G (Quad-Channel) Modes	14	Table 2. Programmable PLL Specifications	32
Figure 3. ORLI10G Embedded Core Receive Path Diagram	16	Table 3. ORLI10G Reset Requirements	32
Figure 4. ORLI10G Embedded Core Transmit Path Diagram	18	Table 4. HSTL Input Requirements to FPGA	35
Figure 5. Demultiplexer Output Data Structure	20	Table 5. Absolute Maximum Ratings	35
Figure 6. Demultiplexer Serial-to-Parallel Conversion—Divide by 8, 10G Mode	21	Table 6. Recommended Operating Conditions	35
Figure 7. Demultiplexer Serial-to-Parallel Conversion—Divide by 4, 10G Mode	22	Table 7. Driver dc Data	36
Figure 8. Demultiplexer Serial-to-Parallel Conversion—Divide by 8, 2.5G Mode	23	Table 8. Driver ac Data	36
Figure 9. Demultiplexer Serial-to-Parallel Conversion—Divide by 4, 2.5G Mode	24	Table 9. Driver Power Consumption	36
Figure 10. Multiplexer Input Data Structure	26	Table 10. Receiver ac Data	37
Figure 11. Multiplexer Parallel-to-Serial Conversion—Divide by 8, 10G Mode	27	Table 11. Receiver Power Consumption	37
Figure 12. Multiplexer Parallel-to-Serial Conversion—Divide by 4, 10G Mode	28	Table 12. Receiver dc Data	37
Figure 13. Multiplexer Parallel-to-Serial Conversion—Divide by 8, 2.5G Mode	29	Table 13. LVDS Operating Parameters	37
Figure 14. Multiplexer Parallel-to-Serial Conversion—Divide by 4, 2.5G Mode	30	Table 14. Receive Data Input Timing	38
Figure 15. ORLI10G Programmable PLL Block Diagram	31	Table 15. Transmit Data Output Timing	39
Figure 16. Sample Power Supply Filter Network for Analog LI Power Supply Pins	33	Table 16. FPGA Common-Function Pin Description	42
Figure 17. Simplified XGMII Block Diagram	34	Table 17. FPSC Function Pin Description	45
Figure 18. Receive Input Data Timing	38	Table 18. Embedded Core/FPGA Interface Signal Description	46
Figure 19. Transmit Output Data Timing	39	Table 19. ORCA Programmable I/Os Summary	47
Figure 20. ac Test Loads	40	Table 20. PBGA Pinout Table	48
Figure 21. Output Buffer Delays	40	Table 21. ORCA ORLI10G Plastic Package Thermal Guidelines	66
Figure 22. Input Buffer Delays	40	Table 22. Heat Sink Vendors	66
Figure 23. LVDS Driver and Receiver and Associated Internal Components	41	Table 23. . ORCA ORLI10G Package Parasitics	67
Figure 24. LVDS Driver and Receiver	41	Table 24. Device Type Options	71
Figure 25. LVDS Driver	41	Table 25. Temperature Options	71
Figure 26. Package Parasitics	67	Table 26. Package Options	71
		Table 27. Package Matrix (Speed Grade)	71

Embedded Function Features

- Provides a line interface-to-interface with various system standards such as OC-192/STM-64 SONET/SDH, Quad OC-48/STM-16 10 Gbits/s Ethernet, and 10 Gbits/s OTN (digital wrapper/strong FEC) or 12.5 Gbits/s SuperFEC.
- Embedded PLLs with programmable M/N multiplication/division values provide for flexible data rate conversion between line side and system side.
- Line side provides for 16-bit LVDS data with multiple line frequencies supported up to 850 MHz, depending on system standard.
- Line side interface, including timing and jitter specifications, compliant to OIF 99.102.5 standard.
- Receive side interface can be split into four separate asynchronous 2.5 Gbits/s interfaces (4-bit LVDS data interface for each) with a separate clock for each for transfer to the FPGA logic.
- Data and clock rates divided by 4 or 8 for use in FPGA logic.
- Direct interface to Agere's 10 Gbits/s MUX (TTRN0110G) and deMUX (TRCV0110G) or 12.5 Gbits/s MUX (TTRN01126) and deMUX (TRCV01126) for XSBI, SFI-4, or SuperFEC applications.
- LVDS I/Os compliant with EIA[®]-644 support hot insertion. All embedded LVDS I/Os include both input and output on-board termination to allow high-speed operation.
- Low-power LVDS buffers.

Intellectual Property Features

Programmable logic provides a variety of yet-to-be standardized interface functions, including the following IP core functions:

- 10 Gbits/s Ethernet as defined by IEEE 802.3ae:
 - XGMII for interfacing to 10 Gbits/s Ethernet MACs. XGMII is a 156 MHz double data rate parallel short-reach (typically less than 2 in.) interconnect interface.
 - Elastic store buffers for clock domain transfer to/from the XGMII interface.
 - $X^{59} + X^{39} + X^1$ scrambler/descrambler for 10 Gbits/s Ethernet.
 - 64b/66b encoders/decoders for 10 Gbits/s Ethernet.
- POS-PHY4 interface for 10 Gbits/s SONET/SDH and OTN systems and some 10 Gbits/s Ethernet systems.

- Quad 2.5 Gbits/s SONET/SDH to 10 Gbits/s SONET/SDH MUX/deMUX functions.
- 66-bit word aligner and 64b/66b receive path decoder, 64b/66b transmit path encoder, and 66b/64b transmit path conversion for Ethernet overhead bits.

Programmable Features

- High-performance programmable logic:
 - 0.16 μ m 7-level metal technology.
 - Internal performance of >250 MHz.
 - 400k usable system gates.
 - Meets multiple I/O interface standards.
 - 1.5 V operation (30% less power than 1.8 V operation) translates to greater performance.
- Traditional I/O selections:
 - LVTTTL and LVCMOS (3.3 V, 2.5 V, and 1.8 V) I/Os.
 - Per pin-selectable I/O clamping diodes provide 3.3 V PCI compliance.
 - Individually programmable drive capability: 24 mA sink/12 mA source, 12 mA sink/6 mA source, or 6 mA sink/3 mA source.
 - Two slew rates supported (fast and slew limited).
 - Fast-capture input latch and input flip-flop (FF) latch for reduced input setup time and zero hold time.
 - Fast open-drain drive capability.
 - Capability to register 3-state enable signal.
 - Off-chip clock drive capability.
 - Two input function generator in output path.
- New programmable high-speed I/O:
 - Single-ended: GTL, GTL+, PECL, SSTL3/2 (class I & II), HSTL (Class I, III, IV), ZBT, and DDR.
 - Double-ended: LVDS, bused-LVDS, LVPECL. Programmable parallel termination (100 Ω) also supported for these I/Os.
 - Customer-defined: ability to substitute arbitrary standard cell I/O to meet fast-moving standards.
- New capability to (de)multiplex I/O signals:
 - New DDR on both input and output at rates up to 311 MHz (622 MHz effective rate).
 - New 2x and 4x downlink and uplink capability per I/O (i.e., 50 MHz internal to 200 MHz I/O).

Programmable Features (continued)

- Enhanced twin-quad programmable function unit (PFU):
 - Eight 16-bit look-up tables (LUTs) per PFU.
 - Nine user registers per PFU, one following each LUT, and organized to allow two nibbles to act independently, plus one extra for arithmetic operations.
 - New register control in each PFU has two independent programmable clocks, clock enables, local set/reset, and data selects.
 - New LUT structure allows flexible combinations of LUT4, LUT5, new LUT6, 4 → 1 MUX, new 8 → 1 MUX, and ripple mode arithmetic functions in the same PFU.
 - 32 x 4 RAM per PFU, configurable as single- or dual-port. Create large, fast RAM/ROM blocks (128 x 8 in only eight PFUs) using the SLIC decoders as bank drivers.
 - Soft-wired LUTs (SWL) allow fast cascading of up to three levels of LUT logic in a single PFU through fast internal routing which reduces routing congestion and improves speed.
 - Flexible fast access to PFU inputs from routing.
 - Fast-carry logic and routing to all four adjacent PFUs for nibble-wide, byte-wide, or longer arithmetic functions, with the option to register the PFU carry-out.
- Abundant high-speed buffered and nonbuffered routing resources provide 2x average speed improvements over previous architectures.
- Hierarchical routing optimized for both local and global routing with dedicated routing resources. This results in faster routing times with predictable and efficient performance.
- SLIC provides eight 3-state buffers, up to a 10-bit decoder, and *PAL*[™]-like and-or-invert (AOI) in each programmable logic cell.
- New 200 MHz embedded quad-port RAM blocks, two read ports, two write ports, and two sets of byte lane enables. Each embedded RAM block can be configured as:
 - 1—512 x 18 (quad-port, two read/two write) with optional built-in arbitration.
 - 1—256 x 36 (dual-port, one read/one write).
 - 1—1k x 9 (dual-port, one read/one write).
 - 2—512 x 9 (dual-port, one read/one write for each).
 - 2 RAMs with arbitrary number of words whose sum is 512 or less by 18 (dual-port, one read/one write).
 - Supports joining of RAM blocks.
 - Two 16 x 8-bit content addressable memory (CAM) support.
 - FIFO 512 x 18, 256 x 36, 1k x 9, or dual 512 x 9.
 - Constant multiply (8 x 16 or 16 x 8).
 - Dual variable multiply (8 x 8).
- Embedded 32-bit internal system bus plus 4-bit parity interconnects FPGA logic, microprocessor interface (MPI), embedded RAM blocks, and embedded standard cell blocks with 100 MHz bus performance. Included are built-in system registers that act as the control and status center for the device.
- Built-in testability:
 - Full boundary scan (*IEEE* 1149.1 and draft 1149.2 JTAG) for the programmable I/Os only.
 - Programming and readback through boundary-scan port compliant to *IEEE* Draft 1532:D1.7.
 - TS_ALL testability function to 3-state all I/O pins.
 - New temperature-sensing diode.
- Improved built-in clock management with programmable phase-locked loops (PPLLs) provides optimum clock modification and conditioning for phase, frequency, and duty cycle from 20 MHz up to 420 MHz. Multiplication of input frequency up to 64x and division of input frequency down to 1/64x possible.
- New cycle stealing capability allows a typical 15% to 40% internal speed improvement after final place and route. This feature also enables compliance with many setup/hold and clock to out I/O specifications and may provide reduced ground bounce for output buses by allowing flexible delays of switching output buffers.

Programmable Logic System Features

- PCI local bus compliant for FPGA I/Os.
- Improved *PowerPC*[®]/*PowerQUICC* 860 and *PowerPC*/*PowerQUICC* II MPC8260 high-speed synchronous microprocessor interface can be used for configuration, readback, device control, and device status, as well as for a general-purpose interface to the FPGA logic, RAMs, and embedded standard-cell blocks. Glueless interface to synchronous *PowerPC* processors with user-configurable address space provided.
- New embedded *AMBA*[™] specification 2.0 AHB system bus (*ARM*[®] processor) facilitates communication among the microprocessor interface, configuration logic, embedded block RAM, FPGA logic, and embedded standard cell blocks.
- Variable-size based readback of configuration data capability with the built-in microprocessor interface and system bus.
- Internal, 3-state, and bidirectional buses with simple control provided by the SLIC.
- New clock routing structures for global and local clocking significantly increases speed and reduces skew (<200 ps for OR4E4).
- New local clock routing structures allow creation of localized clock trees.
- Two new edge clock structures allow up to six high-speed clocks on each edge of the device for improved setup/hold and clock to out performance.
- New double-data rate (DDR) and zero-bus turnaround (ZBT) memory interfaces support the latest high-speed memory interfaces.
- New 2x/4x uplink and downlink I/O capabilities interface high-speed external I/Os to reduced-speed internal logic.
- *ORCA* Foundry development system software. Supported by industry-standard CAE tools for design entry, synthesis, simulation, and timing analysis.
- Meets universal test and operations PHY interface for ATM (UTOPIA) Levels 1, 2, and 3 as well as POS-PHY3. Also meets proposed specifications for UTOPIA Level 4 and POS-PHY4 for 10 Gbits/s interfaces.
- Meets POS-PHY3 (2.5 Gbits/s) and POS-PHY4 (10 Gbits/s) interface standards for packet-over-SONET as defined by the Saturn Group.

Description

FPSC Definition

FPSCs, or field-programmable system chips, are devices that combine field-programmable logic with ASIC or mask-programmed logic on a single device. FPSCs provide the time to market and the flexibility of FPGAs, the design effort savings of using soft intellectual property (IP) cores, and the speed, design density, and economy of ASICs.

FPSC Overview

Agere's Series 4 FPSCs are created from Series 4 ORCA FPGAs. To create a Series 4 FPSC, several columns of programmable logic cells (see FPGA Logic Overview section for FPGA logic details) are added to an embedded logic core. Other than replacing some FPGA gates with ASIC gates, at greater than 10:1 efficiency, none of the FPGA functionality is changed—all of the Series 4 FPGA capability is retained: embedded block RAMs, MPI, PCMs, boundary scan, etc. The columns of programmable logic are replaced at the right of the device, allowing pins from the replaced columns to be used as I/O pins for the embedded core. The remainder of the device pins retain their FPGA functionality.

The embedded cores can take many forms and generally come from Agere's ASIC libraries. Other offerings allow customers to supply their own core functions for the creation of custom FPSCs.

FPSC Gate Counting

The total gate count for an FPSC is the sum of its embedded core (standard-cell/ASIC gates) and its FPGA gates. Because FPGA gates are generally expressed as a usable range with a nominal value, the total FPSC gate count is sometimes expressed in the same manner. Standard-cell ASIC gates are, however, 10 to 25 times more silicon-area efficient than FPGA gates. Therefore, an FPSC with an embedded function is gate equivalent to an FPGA with a much larger gate count.

FPGA/Embedded Core Interface

The interface between the FPGA logic and the embedded core has been enhanced to allow for a greater number of interface signals than on previous FPSC architectures. Compared to bringing embedded core

signals off-chip, this on-chip interface is much faster and requires less power. All of the delays for the interface are precharacterized and accounted for in the ORCA Foundry Development System.

Series 4 based FPSCs expand this interface by providing a link between the embedded block and the multi-master 32-bit system bus in the FPGA logic. This system bus allows the core easy access to many of the FPGA logic functions, including the embedded block RAMs and the microprocessor interface.

Clock spines also can pass across the FPGA/embedded core boundary. This allows for fast, low-skew clocking between the FPGA and the embedded core. Many of the special signals from the FPGA, such as DONE and global set/reset, are also available to the embedded core, making it possible to fully integrate the embedded core with the FPGA as a system.

For even greater system flexibility, FPGA configuration RAMs are available for use by the embedded core. This allows for user-programmable options in the embedded core, in turn allowing for greater flexibility. Multiple embedded core configurations may be designed into a single device with user-programmable control over which configurations are implemented, as well as the capability to change core functionality simply by reconfiguring the device.

ORCA Foundry Development System

The ORCA Foundry development system is used to process a design from a netlist to a configured FPGA. This system is used to map a design onto the ORCA architecture and then place and route it using ORCA Foundry's timing-driven tools. The development system also includes interfaces to, and libraries for, other popular CAE tools for design entry, synthesis, simulation, and timing analysis.

The ORCA Foundry development system interfaces to front-end design entry tools and provides the tools to produce a configured FPGA. In the design flow, the user defines the functionality of the FPGA at two points in the design flow: design entry and the bit stream generation stage. Recent improvements in ORCA Foundry allow the user to provide timing requirement information through logical preferences only; thus, the designer is not required to have physical knowledge of the implementation.

Description (continued)

Following design entry, the development system's map, place, and route tools translate the netlist into a routed FPGA. A floor planner is available for layout feedback and control. A static timing analysis tool is provided to determine design speed, and a back-annotated netlist can be created to allow simulation and timing.

Timing and simulation output files from *ORCA Foundry* are also compatible with many third-party analysis tools. A bit stream generator is then used to generate the configuration data which is loaded into the FPGAs internal configuration RAM, embedded block RAM, and/or FPSC memory.

When using the bit stream generator, the user selects options that affect the functionality of the FPGA. Combined with the front-end tools, *ORCA Foundry* produces configuration data that implements the various logic and routing options discussed in this data sheet.

FPSC Design Kit

Development is facilitated by an FPSC design kit which, together with *ORCA Foundry* and third-party synthesis and simulation engines, provides all software and documentation required to design and verify an FPSC implementation. Included in the kit are the FPSC configuration manager, *Synopsys Smart Model*[®], and complete online documentation. The kit's software couples with *ORCA Foundry*, providing a seamless FPSC design environment. More information can be obtained by visiting the *ORCA* website or contacting a local sales office, both listed on the last page of this document.

FPGA Logic Overview

The *ORCA* Series 4 architecture is a new generation of SRAM-based programmable devices from Agere. It includes enhancements and innovations geared toward today's high-speed systems on a single chip. Designed with networking applications in mind, the Series 4 family incorporates system-level features that can further reduce logic requirements and increase system speed. *ORCA* Series 4 devices contain many new patented enhancements and are offered in a variety of packages and speed grades.

The hierarchical architecture of the logic, clocks, routing, RAM, and system-level blocks create a seamless merge of FPGA and ASIC designs. Modular hardware and software technologies enable system-on-chip integration with true plug-and-play design implementation.

The architecture consists of four basic elements: programmable logic cells (PLCs), programmable I/O cells (PIOs), embedded block RAMs (EBRs), and system-level features. These elements are interconnected with a rich routing fabric of both global and local wires. An array of PLCs are surrounded by common interface blocks which provide an abundant interface to the adjacent PLCs or system blocks. Routing congestion around these critical blocks is eliminated by the use of the same routing fabric implemented within the programmable logic core. Each PLC contains a PFU, SLIC, local routing resources, and configuration RAM. Most of the FPGA logic is performed in the PFU, but decoders, *PAL*-like functions, and 3-state buffering can be performed in the SLIC. The PIOs provide device inputs and outputs and can be used to register signals and to perform input demultiplexing, output multiplexing, uplink and downlink functions, and other functions on two output signals. Large blocks of 512 x 18 quad-port RAM complement the existing distributed PFU memory. The RAM blocks can be used to implement RAM, ROM, FIFO, multiplier, and CAM. Some of the other system-level functions include the MPI, PLLs, and the embedded system bus (ESB).

PLC Logic

Each PFU within a PLC contains eight 4-input (16-bit) LUTs, eight latches/FFs, and one additional flip-flop that may be used independently or with arithmetic functions.

The PFU is organized in a twin-quad fashion; two sets of four LUTs and FFs that can be controlled independently. Each PFU has two independent programmable clocks, clock enables, local set/reset, and data selects. LUTs may also be combined for use in arithmetic functions using fast-carry chain logic in either 4-bit or 8-bit modes. The carry-out of either mode may be registered in the ninth FF for pipelining. Each PFU may also be configured as a synchronous 32 x 4 single- or dual-port RAM or ROM. The FFs (or latches) may obtain input from LUT outputs or directly from invertible PFU inputs, or they can be tied high or tied low. The FFs also have programmable clock polarity, clock enables, and local set/reset.

Description (continued)

The SLIC is connected from PLC routing resources and from the outputs of the PFU. It contains eight 3-state, bidirectional buffers, and logic to perform up to a 10-bit AND function for decoding, or an AND-OR with optional INVERT to perform *PAL*-like functions. The 3-state drivers in the SLIC and their direct connections from the PFU outputs make fast, true, 3-state buses possible within the FPGA, reducing required routing and allowing for real-world system performance.

Programmable I/O

The Series 4 PIO addresses the demand for the flexibility to select I/Os that meet system interface requirements. I/Os can be programmed in the same manner as in previous *ORCA* devices, with the additional new features that allow the user the flexibility to select new I/O types that support high-speed interfaces.

Each PIO contains four programmable I/O pads and is interfaced through a common interface block to the FPGA array. The PIO is split into two pairs of I/O pads with each pair having independent clock enables, local set/reset, and global set/reset. On the input side, each PIO contains a programmable latch/flip-flop which enables very fast latching of data from any pad. The combination provides for very low setup requirements and zero hold times for signals coming on-chip. It may also be used to demultiplex an input signal, such as a multiplexed address/data signal, and register the signals without explicitly building a demultiplexer with a PFU.

On the output side of each PIO, an output from the PLC array can be routed to each output flip-flop, and logic can be associated with each I/O pad. The output logic associated with each pad allows for multiplexing of output signals and other functions of two output signals.

The output FF, in combination with output signal multiplexing, is particularly useful for registering address signals to be multiplexed with data, allowing a full clock cycle for the data to propagate to the output. The output buffer signal can be inverted, and the 3-state control can be made active-high, active-low, or always enabled. In addition, this 3-state signal can be registered or nonregistered.

The Series 4 I/O logic has been enhanced to include modes for speed uplink and downlink capabilities. These modes are supported through shift register logic, which divides down incoming data rates or multiplies up outgoing data rates. This new logic block also supports high-speed DDR mode requirements where data is clocked into and out of the I/O buffers on both edges of the clock.

The new programmable I/O cell allows designers to select I/Os which meet many new communication standards, permitting the device to hook up directly without any external interface translation. They support traditional FPGA standards as well as high-speed, single-ended, and differential-pair signaling (as shown in Table 1). Based on a programmable, bank-oriented I/O ring architecture, designs can be implemented using 3.3 V, 2.5 V, 1.8 V, and 1.5 V referenced output levels.

Routing

The abundant routing resources of the Series 4 architecture are organized to route signals individually or as buses with related control signals. Both local and global signals utilize high-speed buffered and nonbuffered routes. One PLC segmented (x1), six PLC segmented (x6), and bused half-chip (xHL) routes are patterned together to provide high connectivity with fast software routing times and high-speed system performance.

Eight fully distributed primary clocks are routed on a low-skew, high-speed distribution network and may be sourced from dedicated I/O pads, PLLs, or the PLC logic. Secondary and edge-clock routing are available for fast regional clock or control signal routing for both internal regions and on device edges. Secondary clock routing can be sourced from any I/O pin, PLLs, or the PLC logic.

The improved routing resources offer great flexibility in moving signals to and from the logic core. This flexibility translates into an improved capability to route designs at the required speeds when the I/O signals have been locked to specific pins.

System-Level Features

The Series 4 also provides system-level functionality by means of its microprocessor interface, embedded system bus, quad-port embedded block RAMs, universal programmable phase-locked loops, and the addition of highly tuned networking specific phase-locked loops. These functional blocks allow for easy glueless system interfacing and the capability to adjust to varying conditions in today's high-speed networking systems.

Microprocessor Interface

The MPI provides a glueless interface between the FPGA and *PowerPC* microprocessors. Programmable in 8-, 16-, and 32-bit interfaces with optional parity to the *Motorola*® *PowerPC* 860 bus, it can be used for configuration and readback, as well as for FPGA control and monitoring of FPGA status. All MPI transactions utilize the Series 4 embedded system bus at 66 MHz performance.

A system-level microprocessor interface to the FPGA user-defined logic following configuration, through the system bus, including access to the embedded block RAM and general user-logic, is provided by the MPI. The MPI supports burst data read and write transfers, allowing short, uneven transmission of data through the interface by including data FIFOs. Transfer accesses can be single beat (1 x 4 bytes or less), 4-beat (4 x 4 bytes), 8-beat (8 x 2 bytes), or 16-beat (16 x 1 bytes).

System Bus

An on-chip, multimaster, 8-bit system bus with 1-bit parity facilitates communication among the MPI, configuration logic, FPGA control, and status registers, embedded block RAMs, as well as user logic. Utilizing the *AMBA* specification Rev 2.0 AHB protocol, the embedded system bus offers arbiter, decoder, master, and slave elements.

The system bus control registers can provide control to the FPGA such as signaling for reprogramming, reset functions, and PLL programming. Status registers monitor INIT, DONE, and system bus errors. An interrupt controller is integrated to provide up to eight possible interrupt resources. Bus clock generation can be sourced from the microprocessor interface clock, configuration clock (for slave configuration modes), internal oscillator, user clock from routing, or port clock (for JTAG configuration modes).

Phase-Locked Loops

Up to eight PLLs are provided on each Series 4 device, with four PLLs generally provided for FPSCs. Programmable PLLs can be used to manipulate the frequency, phase, and duty cycle of a clock signal. Each PLL is capable of manipulating and conditioning clocks from 20 MHz to 420 MHz. Frequencies can be adjusted from 1/8x to 8x, the input clock frequency. Each programmable PLL provides two outputs that have different multiplication factors but can have the same phase relationships. Duty cycles and phase delays can be adjusted in 12.5% of the clock period increments. An automatic input buffer delay compensation mode is available for phase delay. Each PLL provides two outputs that can have programmable (12.5% steps) phase differences.

Additional highly tuned and characterized, dedicated phase-locked loops (DPLLs) are included to ease system designs. These DPLLs meet ITU-T G.811 primary-clocking specifications and enable system designers to very tightly target specified clock conditioning not traditionally available in the universal PLLs. Initial DPLLs are targeted to low-speed networking DS1 and E1, and also high-speed SONET/SDH networking STS-3 and STM-1 systems.

Embedded Block RAM

New 512 x 18 quad-port RAM blocks are embedded in the FPGA core to significantly increase the amount of memory and complement the distributed PFU memories. The EBRs include two write ports, two read ports, and two byte lane enables which provide four-port operation. Optional arbitration between the two write ports is available, as well as direct connection to the high-speed system bus.

Additional logic has been incorporated to allow significant flexibility for FIFO, constant multiply, and two-variable multiply functions. The user can configure FIFO blocks with flexible depths of 512k, 256k, and 1k, including asynchronous and synchronous modes and programmable status and error flags. Multiplier capabilities allow a multiple of an 8-bit number with a 16-bit fixed coefficient or vice versa (24-bit output), or a multiply of two 8-bit numbers (16-bit output). On-the-fly coefficient modifications are available through the second read/write port. Two 16 x 8-bit CAMs per embedded block can be implemented in single match, multiple match, and clear modes. The EBRs can also be preloaded at device configuration time.

System-Level Features (continued)

Configuration

The FPGAs functionality is determined by internal configuration RAM. The FPGAs internal initialization/configuration circuitry loads the configuration data at powerup or under system control. The configuration data can reside externally in an EEPROM or any other storage media. Serial EEPROMs provide a simple, low pin-count method for configuring FPGAs.

The RAM is loaded by using one of several configuration modes. Supporting the traditional master/slave serial, master/slave parallel, and asynchronous peripheral modes, the Series 4 also utilizes its microprocessor interface and embedded system bus to perform both programming and readback. Daisy chaining of multiple devices and partial reconfiguration are also permitted.

Other configuration options include the initialization of the embedded-block RAM memories and FPSC memory as well as system bus options and bit stream error checking. Programming and readback through the JTAG (*IEEE 1149.2*) port is also available meeting in-system programming (ISP) standards (*IEEE 1532 Draft*).

Additional Information

Contact your local Agere representative for additional information regarding the ORCA Series 4 FPGA devices, or visit our website at:
<http://www.agere.com/orca>

ORLI10G Overview

Device Layout

The ORLI10G FPSC provides a high-speed transmit and receive line interface combined with FPGA logic. The device is based on the 1.5 V OR4E4 FPGA. The ORLI10G consists of an embedded backplane transceiver core and a full OR4E4 36x36 FPGA array.

The ORLI10G is a line interface device that contains an FPGA base array, a 10 Gbits/s line interface block, and programmable PLLs to do the overhead clock rate conversions on a single monolithic chip. The embedded portion includes:

- **Line Interface:** This consists of a 16-bit LVDS receive data bus and a 16-bit LVDS transmit bus operating up to 850 Mbits/s per input/output pair. Each 4-bit LVDS I/O has a high-speed LVDS clock (operating up to 850 MHz) associated with it.
- **MUX/deMUX:** This performs the MUXing and deMUXing between the high-speed line interface data operating at the line rate and system data operating at 1/4 or 1/8 the line rate.
- **On-board PLLs:** This is used to align system-side data with the line-side data, which is at a slightly higher data bandwidth than the system data because of the addition of overhead due to encoding.

Figure 1 shows the ORLI10G block diagram.

10G Mode

The ORLI10G can operate in one of two data modes: 10G mode or Quad 2.5G mode.

In 10G (or single-channel) mode, all 16 LVDS transmit data outputs are assumed to be one data bus with one LVDS clock provided off chip for the data. Likewise, all 16 LVDS receive data inputs are assumed to be one data bus with one LVDS input clock provided for the data.

Transmit Path

In 10G mode, the transmit data from the FPGA logic is passed to the embedded core as a single 128- or 64-bit bus. An off-chip transmit reference clock is divided down in the core by 8 (for 128-bit to 16-bit MUX) or by 4 (for 64-bit to 16-bit MUX). All four transmit clock outputs are therefore synchronized.

ORLI10G Overview (continued)

Receive Path

The 16-bit receive data is deMUXed in the embedded core to a single 128-bit or 64-bit data bus and passed to the FPGA logic. The lowest-order LVDS input clock (rx_clk_in[0]) is used as the receive clock for all 16 data bits (the other three LVDS input clock pairs should be tied low). This clock is divided down in the core by 8 (for 16-bit to 128-bit deMUX) or by 4 (for 16-bit to 64-bit deMUX) and passed to the FPGA logic with the data.

The ORLI10G supports transmit and receive data rates up to 850 Mbits/s. Therefore, the total data rate for this mode is 850 Mbits/s x 16 or 13.6 Gbits/s.

2.5G Mode

In 2.5G (or quad-channel) mode, the 16 LVDS transmit data outputs are assumed to be four 4-bit data buses with four LVDS clocks provided off chip for each data bus. Likewise, the 16 LVDS receive data inputs are assumed to be four independent 4-bit data buses with four LVDS asynchronous input clocks provided for each data bus.

Transmit Path

In 2.5G mode, the transmit data from the FPGA logic is passed to the embedded core as four separate 32- or

16-bit buses. A separate clock for each of the four buses is also passed to the core. An off-chip transmit reference clock is divided down in the core by 8 (for each 32 to 8-bit MUX) or by 4 (for each 16 to 4 MUX). This divided down clock is used to resynchronize the output data and clocks. All four transmit clock outputs are therefore synchronized.

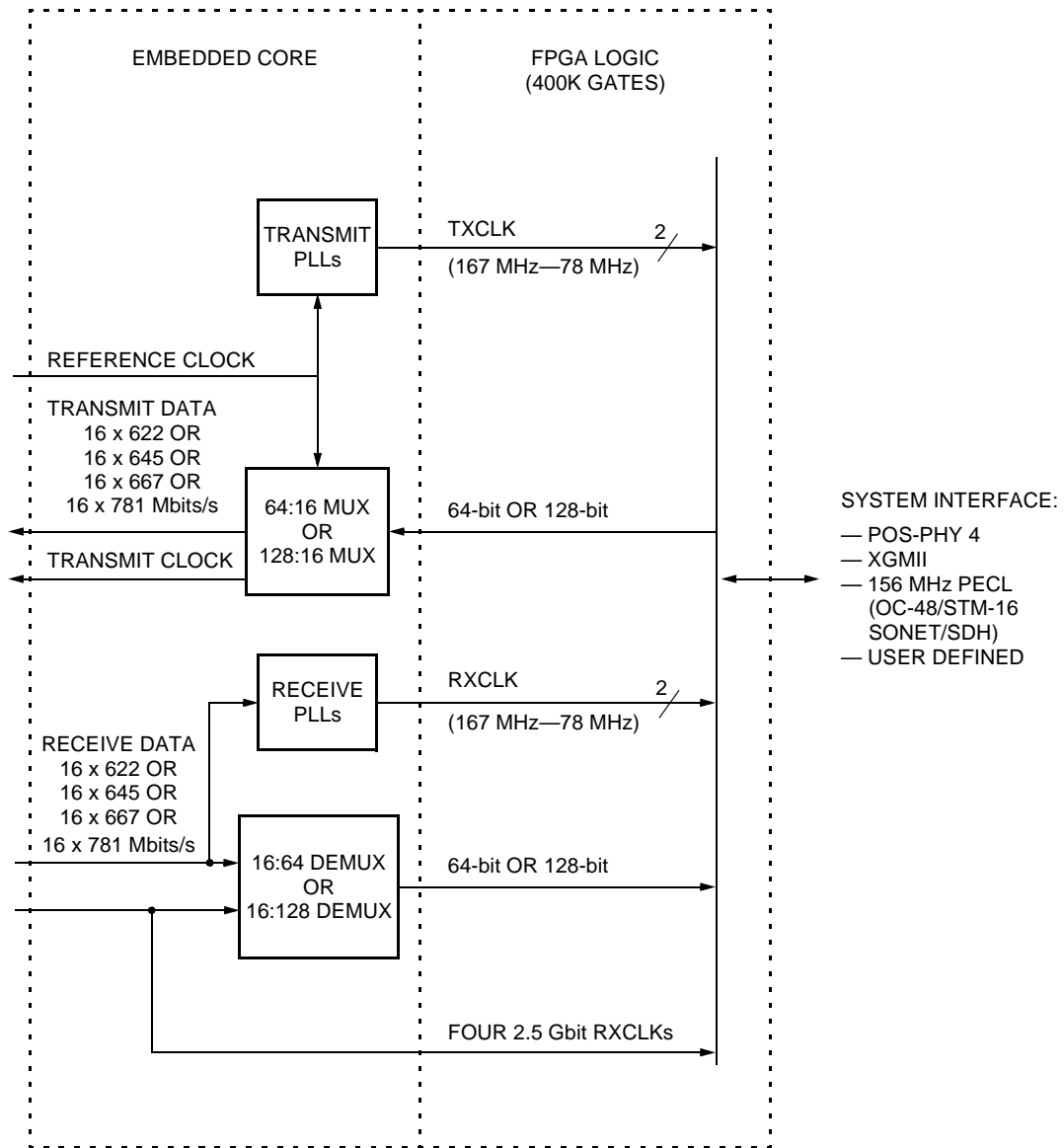
Receive Path

Each of the four 4-bit receive data buses are deMUXed in the embedded core to one of four independent 32- or 16-bit data buses and passed to the FPGA logic. The four receive clock inputs are divided down in the core by 8 (for each 4- to 32-bit deMUX) or by 4 (for each 4- to 16-bit deMUX), and each divided clock is passed to the FPGA logic with its associated data bus. All four data paths act as separate data interfaces that are asynchronous to each other.

The ORLI10G supports transmit and receive data rates up to 850 Mbits/s. Therefore, the total data rate each of the quad channels is 850 Mbits/s x 4 or 3.4 Gbits/s.

Figure 2 shows a representation of the 10G and 2.5G modes in both transmit and receive directions.

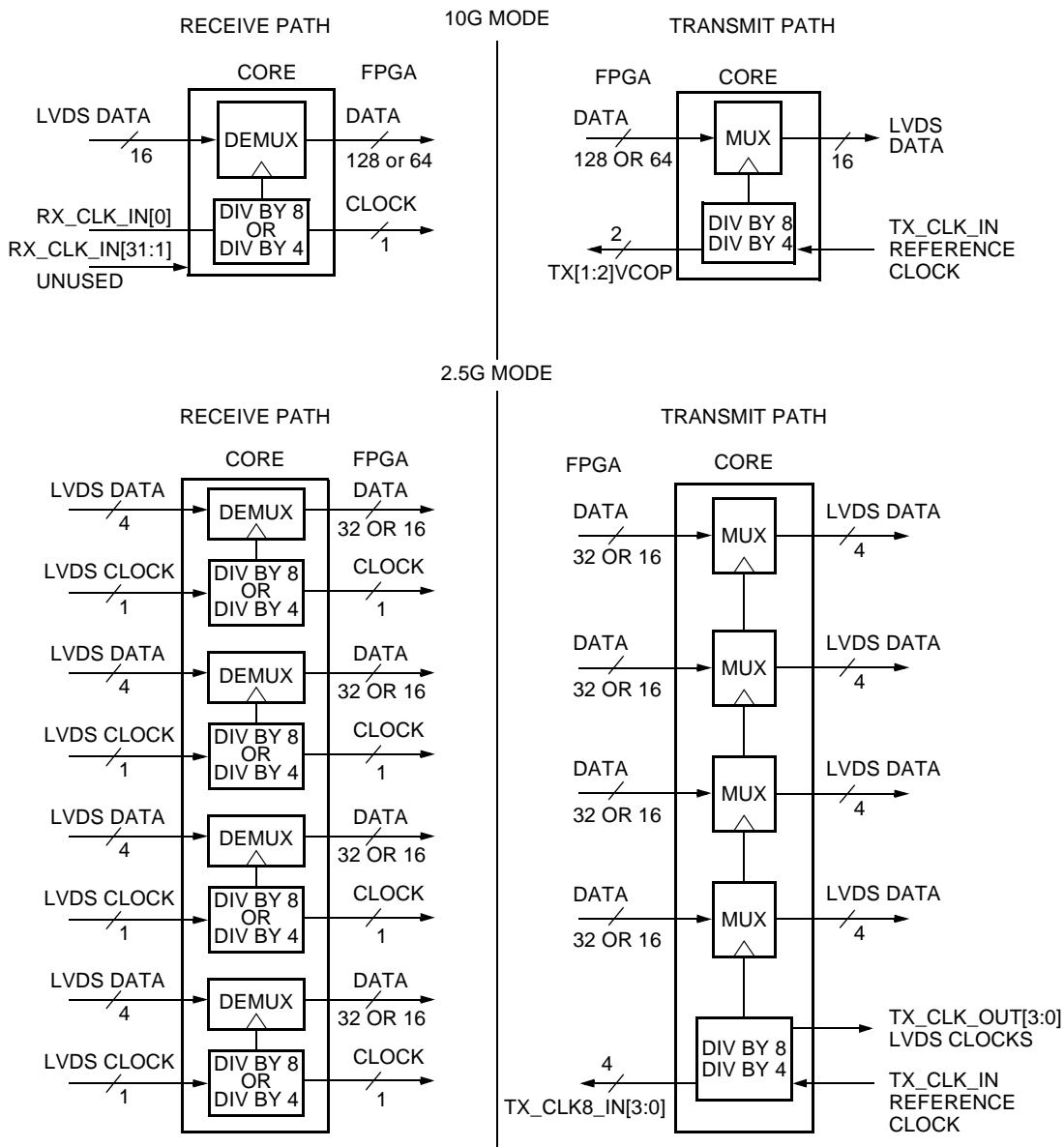
ORLI10G Overview (continued)



1018(F)

Figure 1. ORCA ORLI10G Block Diagram

ORLI10G Overview (continued)



1335(F)

Figure 2. 10G (Single-Channel) and 2.5G (Quad-Channel) Modes

Receive Path Details

In the receive path, the ORLI10G embedded core can be broken down into three sections: the high-speed line interface, the demultiplexer, and the receive-side on-board PLLs. Note that both transmit and receive PLLs are in addition to the four programmable PLLs (PPLLs) in the FPGA portion of the ORLI10G.

Line Interface

In the receive path, 16-bit data and associated clocks are inputs to the line interface. Typical data rates are expected to range from 622 Mbits/s to 850 Mbits/s for most applications. The 16-bit LVDS input data bus is actually composed of four 4-bit data buses with one clock for each 4-bit data bus. In the 10G mode, all four input clocks are tied together internal to the device and driven by the lowest-order input clock. In 2.5G mode, the four clocks may be asynchronous to each other. The ORLI10G uses LVDS (low-voltage differential signaling) drivers/receivers, which are intended to provide point-to-point connection between the ORLI10G and optical transceiver (MUX/deMUX) parts. The LVDS inputs are hot-swap compatible and can connect to other vendor's LVDS I/O buffers. The LVDS inputs are terminated with a 100 Ω resistor to improve performance.

The receive line interface on the ORLI10G can connect to devices that are compliant to either the XSBI standard or the SFI-4 standard. The major difference for these standards is that for XSBI (*IEEE 802.3ae* version 2.1), the least significant bit [0] is received first after deserialization by the external deMUX device, whereas SFI-4 receives the most significant bit first. In some cases, bits [15:0] on the ORLI10G should be connected to bits [0:15] on the device to which the ORLI10G device interfaces to. An example of this is the PCS IP core in the ORLI10G when the ORLI10G is connected to an XSBI version 2.1 device.

It should be noted that *IEEE 802.3ae* version 3.1 swaps XSBI so that the most significant bit is received first, thus requiring that bits [0:15] on the ORLI10G be connected directly to bits [0:15] on the XSBI device.

DeMUX

The demultiplexer takes the high-speed line data and clocks and converts the data and clock to rates appropriate for transfer to the FPGA logic. The demultiplexer supports two modes of operation:

- Divide-by-8

10G (or single channel): The demultiplexer converts the incoming 16 bits of data at 622 Mbits/s to 850 Mbits/s into 128 bits at 78 Mbits/s to 106 Mbits/s. The incoming clocks are divided by 8.

2.5G (or quad channel): The demultiplexer converts the incoming four bits of data at 622 Mbits/s to 850 Mbits/s into 32 bits at 78 Mbits/s to 106 Mbits/s. The associated clock is also divided by 8. This is repeated four times with each 4-bit data/clock group assumed to be asynchronous to the others.

- Divide-by-4

10G (or single channel): The demultiplexer converts the incoming 16 bits of data at 622 Mbits/s to 850 Mbits/s into 64 bits at 156 Mbits/s to 212 Mbits/s. The incoming clocks are divided by 4.

2.5G (or quad channel): The demultiplexer converts the incoming 4 bits of data at 622 Mbits/s to 850 Mbits/s into 16 bits at 156 Mbits/s to 212 Mbits/s. The associated clock is also divided by 4. This is repeated four times with each 4-bit data/clock group assumed to be asynchronous to the others.

Onboard Receive PLLs

The function of the onboard PLLs is to align the system data with the line data which will be at a slightly higher rate owing to the addition of the overhead bits. There are two PLLs on the receive path. The input to the first PLL, RX1_PLL (see Figure 3), is the divided down lowest-order clock from the demultiplexer. The RX1_PLL generates a clock with a user-defined frequency ratio of M/N to the divided clock. This clock would generally be used to compensate for different data rates due to overhead bits. M and N can independently be set from 1 to 8.

The RX2_PLL also takes its input from the divided down clock and is used to provide a balanced divided clock across the FPGA-embedded core interface.

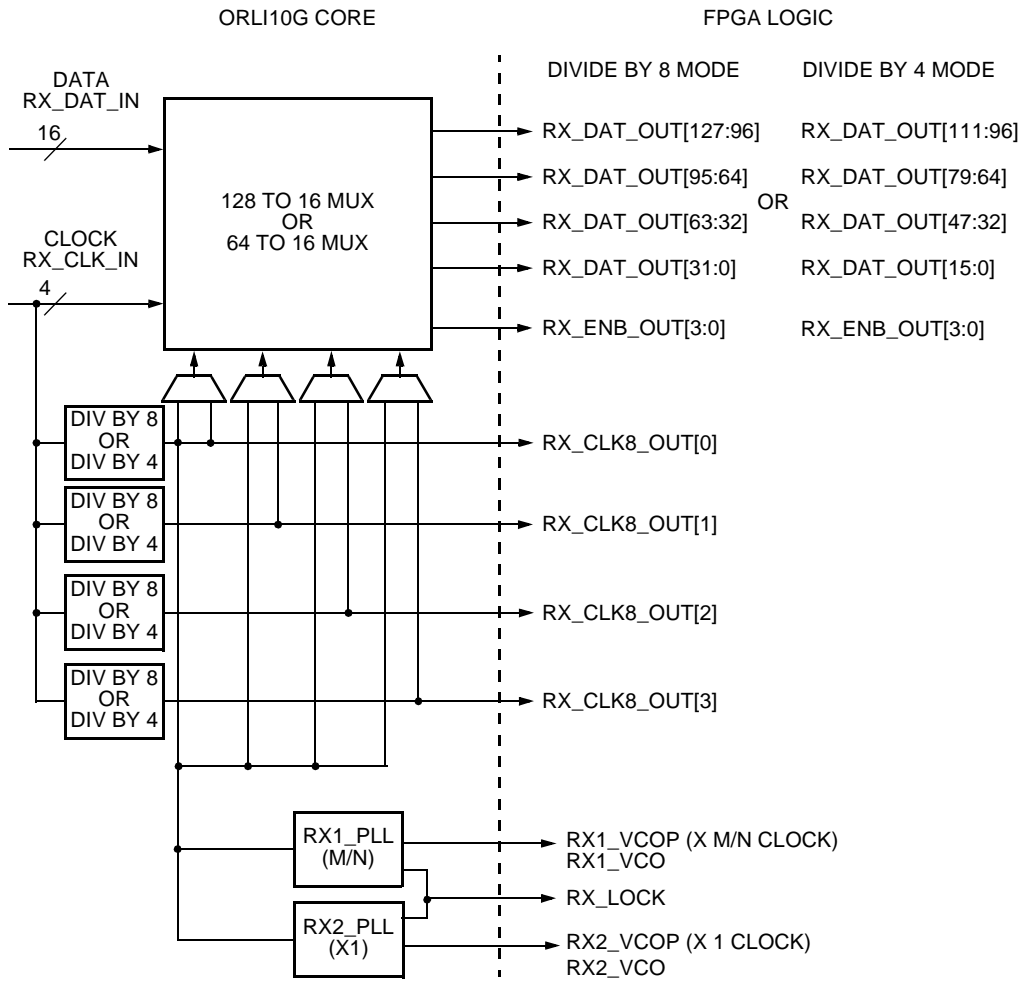
Both PLLs have delay loops which compensate for routing delays to the embedded core/FPGA logic interface for minimum clock skew.

In addition, the user can specify an additional skew on each clock in increments of 1/8 the clock period.

The selection of the deMUX width (and corresponding clock division value), the RX1_PLL M and N values, and the additional skew for RX1_PLL and RX2_PLL are specified by the user in a GUI interface provided in the ORLI10G design kit.

A detailed block diagram of the receive path is shown in Figure 3.

Receive Path Details (continued)



1333(F)

Figure 3. ORLI10G Embedded Core Receive Path Diagram

Transmit Path Details

In the transmit path, the ORLI10G embedded core can be broken down into three sections: the multiplexer, the transmit side onboard PLLs, and the high-speed line interface. Note that both transmit and receive PLLs are in addition to the four programmable PLLs (PPLLs) in the FPGA portion of the ORLI10G.

MUX

The multiplexer takes data from the FPGA logic and multiplexes the data to rates for transfer by the high-speed line interface. The multiplexer supports two modes of operation:

- Multiplex-by-8

The multiplexer converts the incoming 128 bits of data at 78 Mbits/s to 106 Mbits/s into 16 bits at 622 Mbits/s to 850 Mbits/s. The incoming transmit reference clock is divided by 8.

- Multiplex-by-4

10G (or single channel): The multiplexer converts the incoming 64 bits of data at 156 Mbits/s to 212 Mbits/s into 16 bits at 622 Mbits to 850 Mbits/s. The transmit reference clock is divided by 4.

Onboard Transmit PLLs

The function of the onboard PLLs is to align the system data with the line data which will be at a slightly higher rate owing to the addition of the overhead bits. There are two PLLs on the transmit path. The input to the first PLL, TX1_PLL (see Figure 4), is the divided down transmit reference clock from the multiplexer. The TX1_PLL generates a clock with a user-defined frequency ratio of M/N to the divided clock. This clock would generally be used to compensate for different data rates due to overhead bits. M and N can be independently set from 1 to 8.

The TX2_PLL also takes its input reference from the divided down reference clock and is used to provide a balanced divided clock across the FPGA-embedded core interface.

Both PLLs have delay loops which compensate for routing delays to the embedded core/FPGA logic interface for minimum clock skew.

In addition, the user can specify an additional skew on each clock in increments of 1/8 the clock period.

The selection of the MUX width (and corresponding clock division value), the TX1_PLL M and N values, and the additional skew for TX1_PLL and TX2_PLL are specified by the user in a GUI interface provided in the ORLI10G design kit.

A detailed block diagram of the transmit path is shown in Figure 4. In 10 Gbit mode, either TX1_VCOP or TX2_VCOP must be used to clock TX_DAT_IN[127:0] that is transmitted to the embedded block. These PLLs can also be bypassed, where the divided transmit reference clock is sent directly to the FPGA. In 2.5 Gbit mode, TX_CLK8_IN[3:0] is used to clock data transmitted to the embedded block.

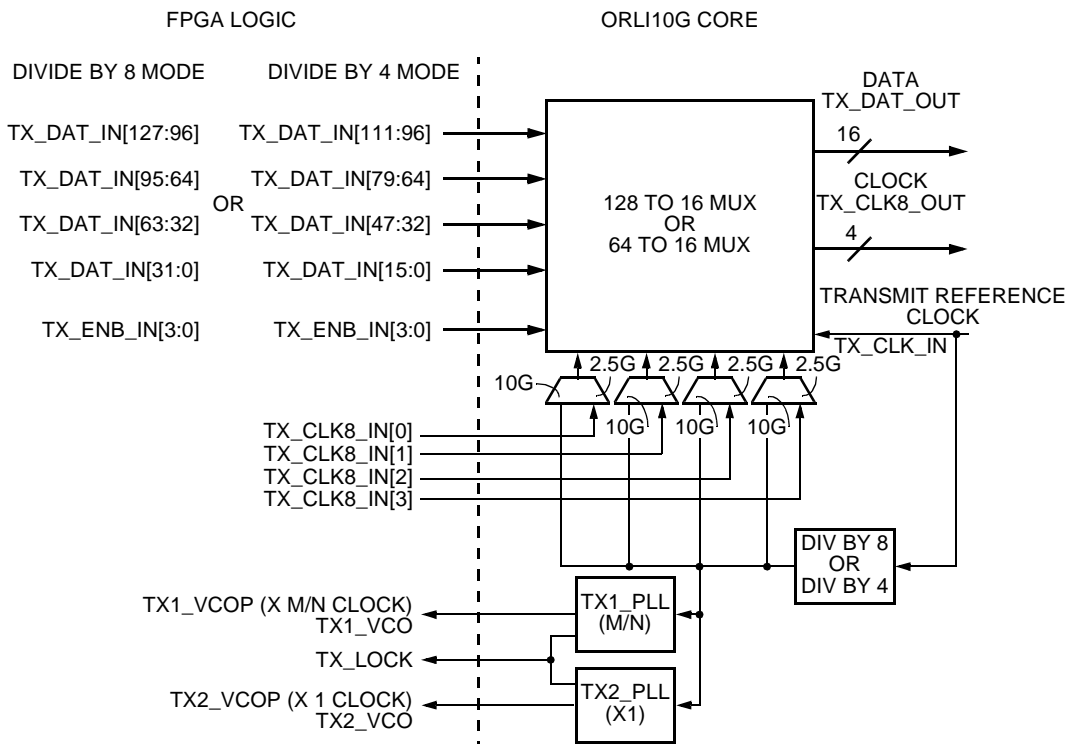
Line Interface

In the transmit path, 16-bit data and associated clocks are outputs from the line interface. Typical data rates are expected to range from 622 Mbits/s to 850 Mbits/s for most applications. The 16-bit LVDS output data bus is actually composed of four 4-bit data buses with one clock for each 4-bit data bus. On the transmit side, these clocks will all be synchronized. The ORLI10G uses LVDS (low-voltage differential signaling) drivers/receivers, which are intended to provide point-to-point connection between the ORLI10G and optical transceiver (MUX/deMUX) parts. The LVDS drivers are hot-swap compatible and can connect to other vendor's LVDS I/O buffers. The LVDS drivers are terminated with a 100 Ω resistor to improve performance.

The transmit line interface on the ORLI10G can connect to devices that are compliant to either the XSBI standard or the SFI-4 standard. The major difference for these standards is that for XSBI, the least significant bit [0] is transferred first after serialization by the external MUX device, whereas SFI-4 transmits the most significant bit first. In some cases, bits [15:0] on the ORLI10G should be connected to bits [0:15] on the device to which the ORLI10G device interfaces to. An example of this is the PCS IP core in the ORLI10G when the ORLI10G is connected to an XSBI version 2.1 device.

It should be noted that *IEEE 802.3ae* version 3.1 swaps XSBI so that the most significant bit is transferred first, thus requiring that bits [0:15] on the ORLI10G be connected directly to bits [0:15] on the XSBI device.

Transmit Path Details (continued)



1332(F)

Figure 4. ORLI10G Embedded Core Transmit Path Diagram

ORLI10G Demultiplexer (Rx) Detail

The demultiplexer module converts the incoming 16 bits of data at 622 MHz/850 MHz into 128 bits of data at 78 MHz/106 MHz or 64 bits of data at 156 MHz/212 MHz and sends it to the FPGA logic. It has been implemented in two stages: the first stage converts each incoming bit into a byte stream and the second stage bit interleaves these bytes into 128/64 bits, depending upon the mode of operation. The low-speed clocks are generated by this block. These clocks are then driven back to this block from the low-speed clock tree network. Functionally, the demultiplexer architecture consists of three blocks: the serial to parallel conversion, the counters, and the interleaving.

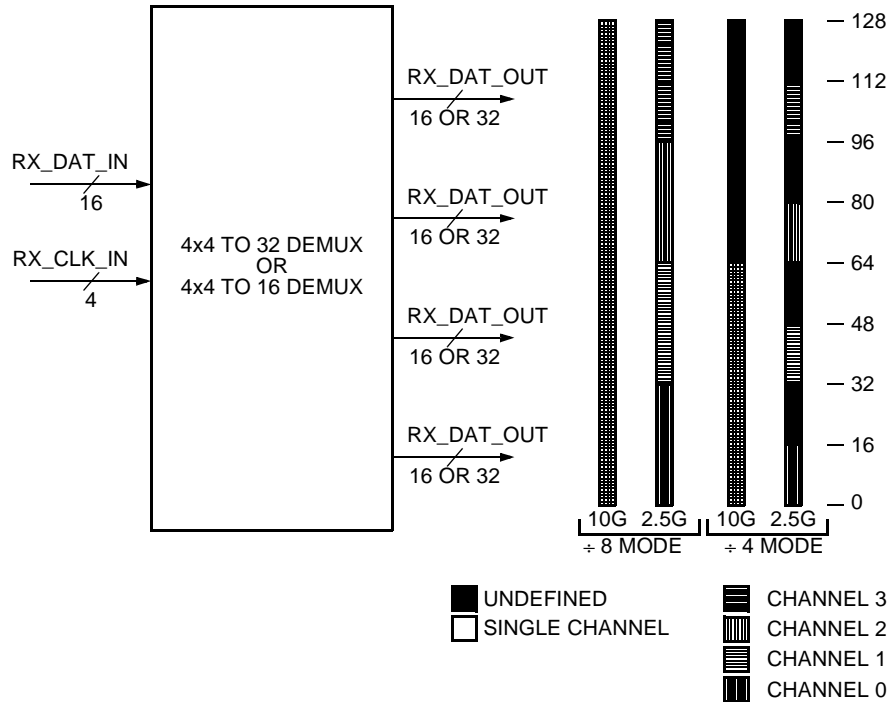
The first stage of the line interface module (demultiplexer) converts each incoming bit of data into a byte stream on a divided-by-8 clock. The data is first registered on the rising edge of the clock input. The clock dividers also runs parallel to data shift (serial to parallel), on the rising edge of the input clock. An enable is created when a complete byte is taken in. This enable signal is used to register the serial-to-parallel converted data at the high-speed input clock. This ensures that the data can be safely transferred to the low-speed clock. This data is then transferred to the divided clock, allowing a timing margin of approximately half the divided clock period.

The high-speed demultiplexer converts the incoming data as blocks of bytes. The byte boundaries of incoming data are unknown and are irrelevant to this module.

This data is then interleaved to the 128/64 bits of output data, depending on the mode of operation (divide-by-4/divide-by-8). In 10G mode, the output data is assigned the retimed 128/64 bits of data from the first stage of line interface registered at the input clock [0]. In 2.5G mode, the output data is assigned four concatenated 32/16 bits of data from the first stage of line interface registered at input clocks [0 to 3]. The interleaving is done at bit level because the serial-to-parallel converter operates on bits of incoming data. In 10G mode, it is assumed that all the incoming 16 bits of data are synchronized to the input clock [0]. This block also generates the clock enables used by the output line interface (multiplexer) module for registering the data on the high-speed clock. These enables along with the enables from other clocks are selected through the high-speed clock MUX for the output line interface block.

ORLI10G Demultiplexer (Rx) Detail (continued)

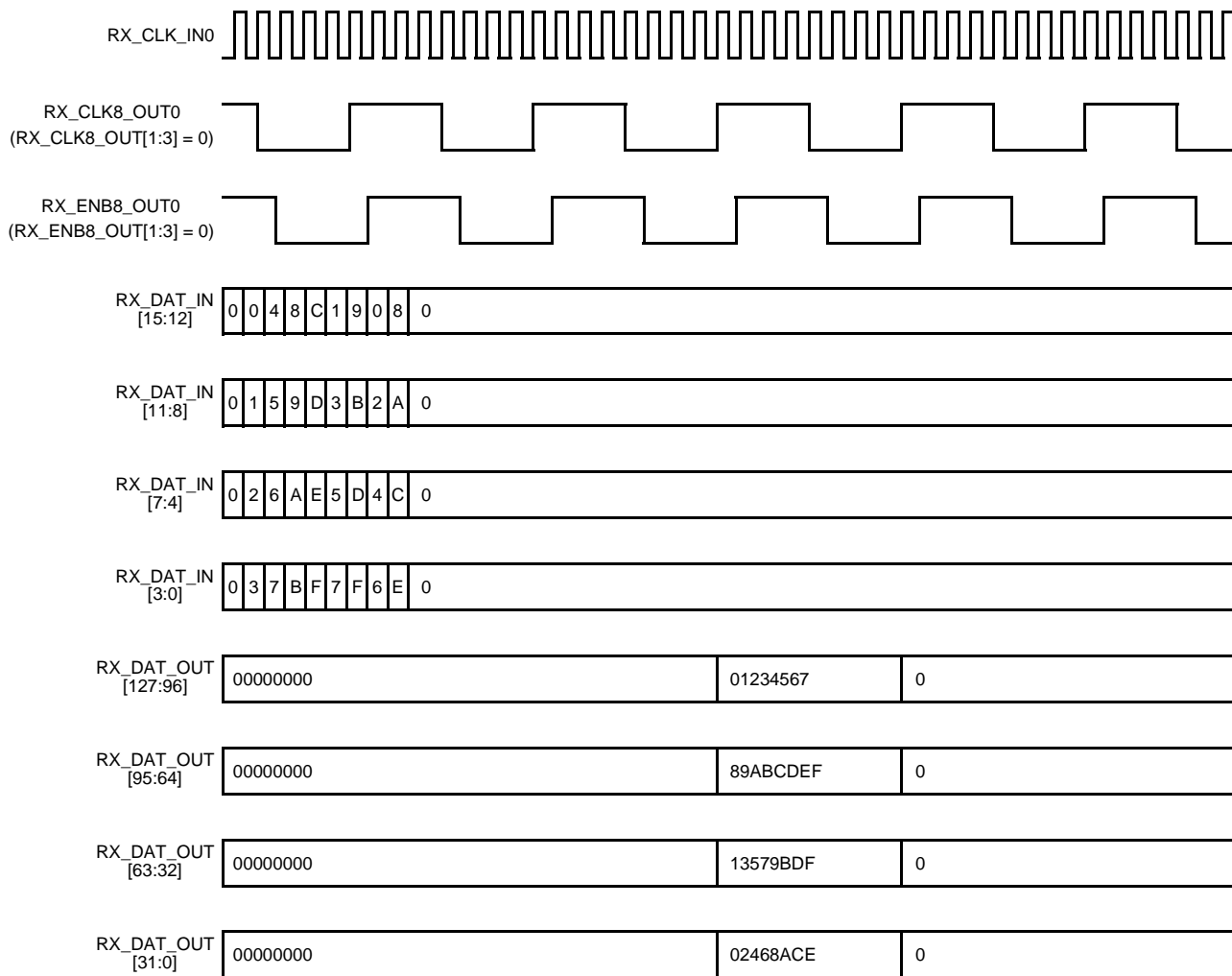
Figure 5 shows the valid data output bits from the demultiplexer in each of the four modes (divide-by-8, 10G and 2.5G modes, and divide-by-4, 10G and 2.5G modes). Figure 6—Figure 9 show the demultiplexer input data and clock waveforms and output clock, enable, and data waveforms for all four modes.



1338(F)

Figure 5. Demultiplexer Output Data Structure

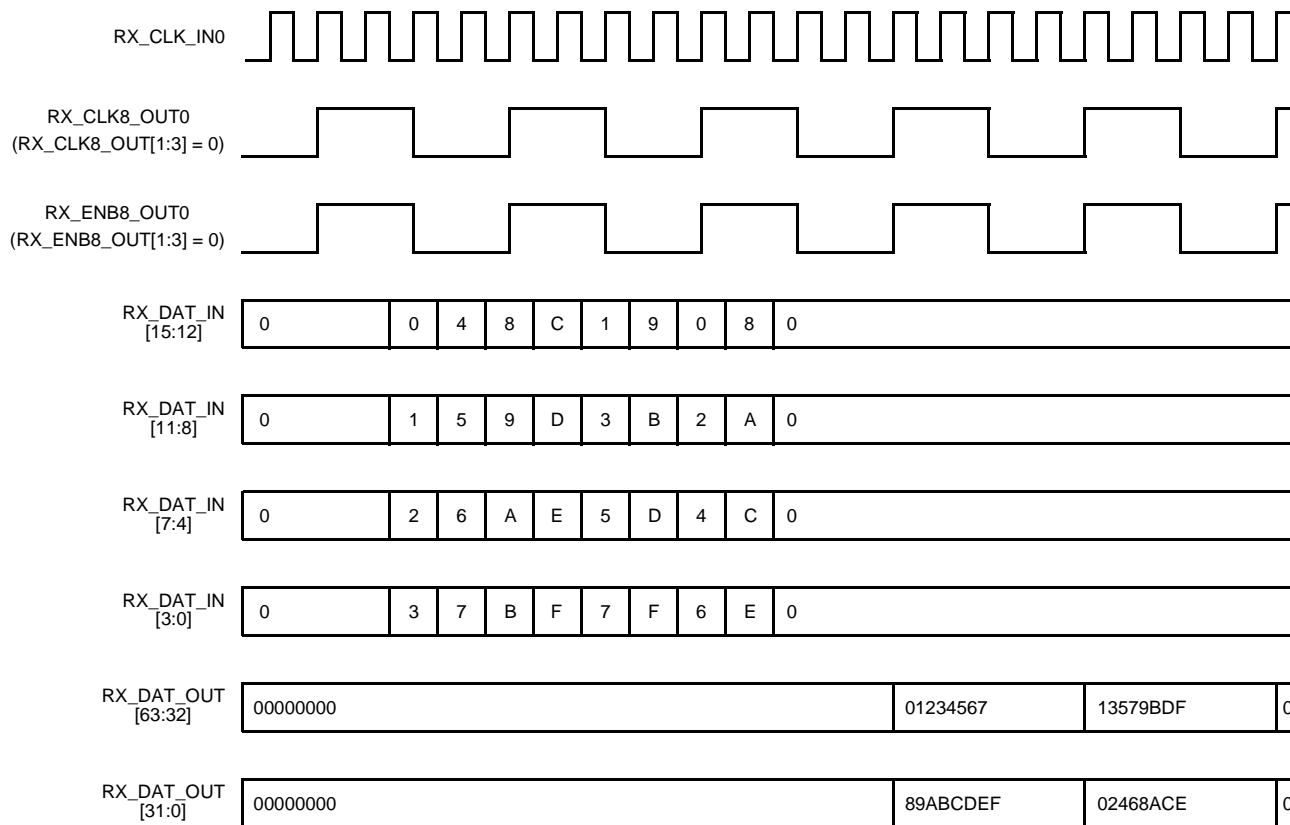
ORLI10G Demultiplexer (Rx) Detail (continued)



1340(F)

Figure 6. Demultiplexer Serial-to-Parallel Conversion—Divide by 8, 10G Mode

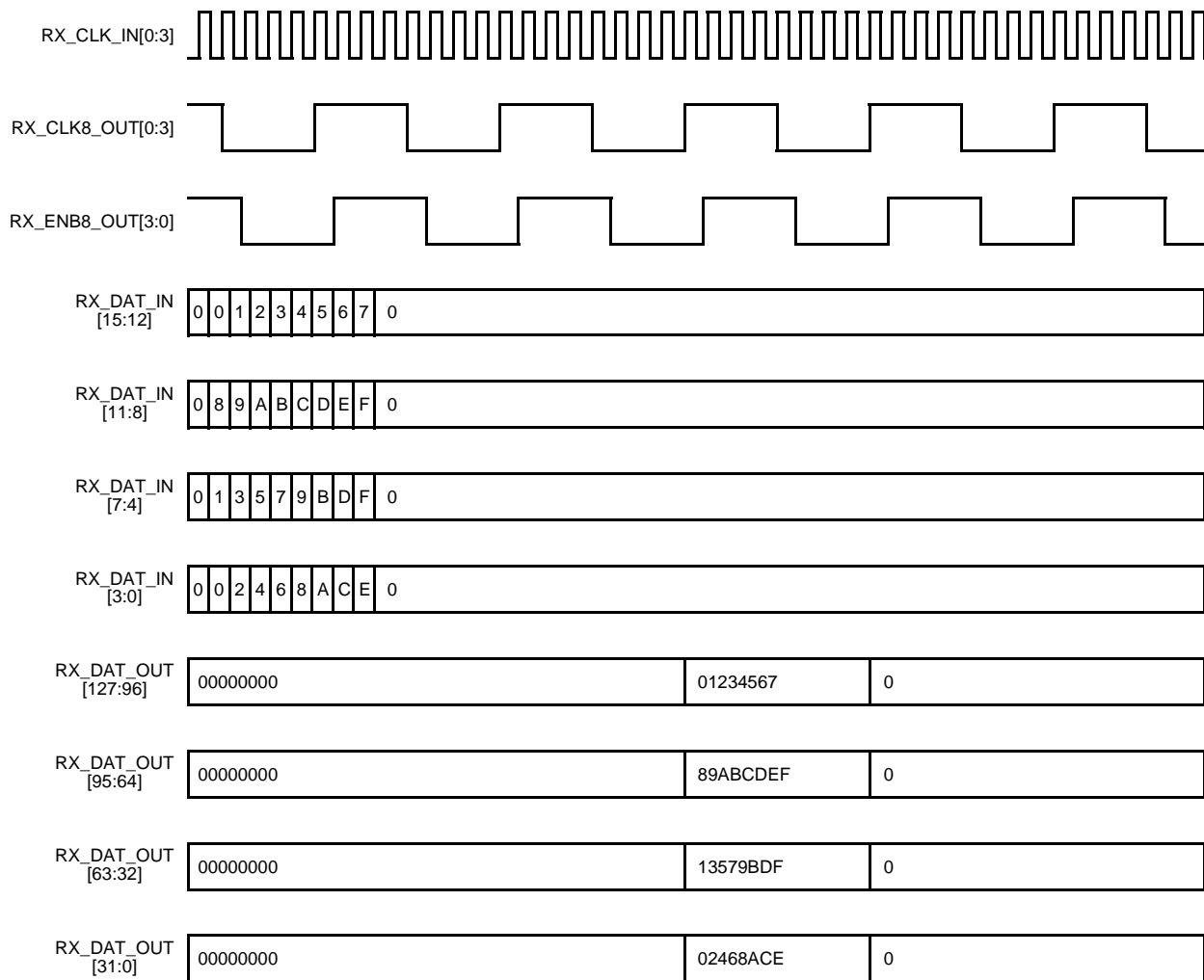
ORLI10G Demultiplexer (Rx) Detail (continued)



1341(F)

Figure 7. Demultiplexer Serial-to-Parallel Conversion—Divide by 4, 10G Mode

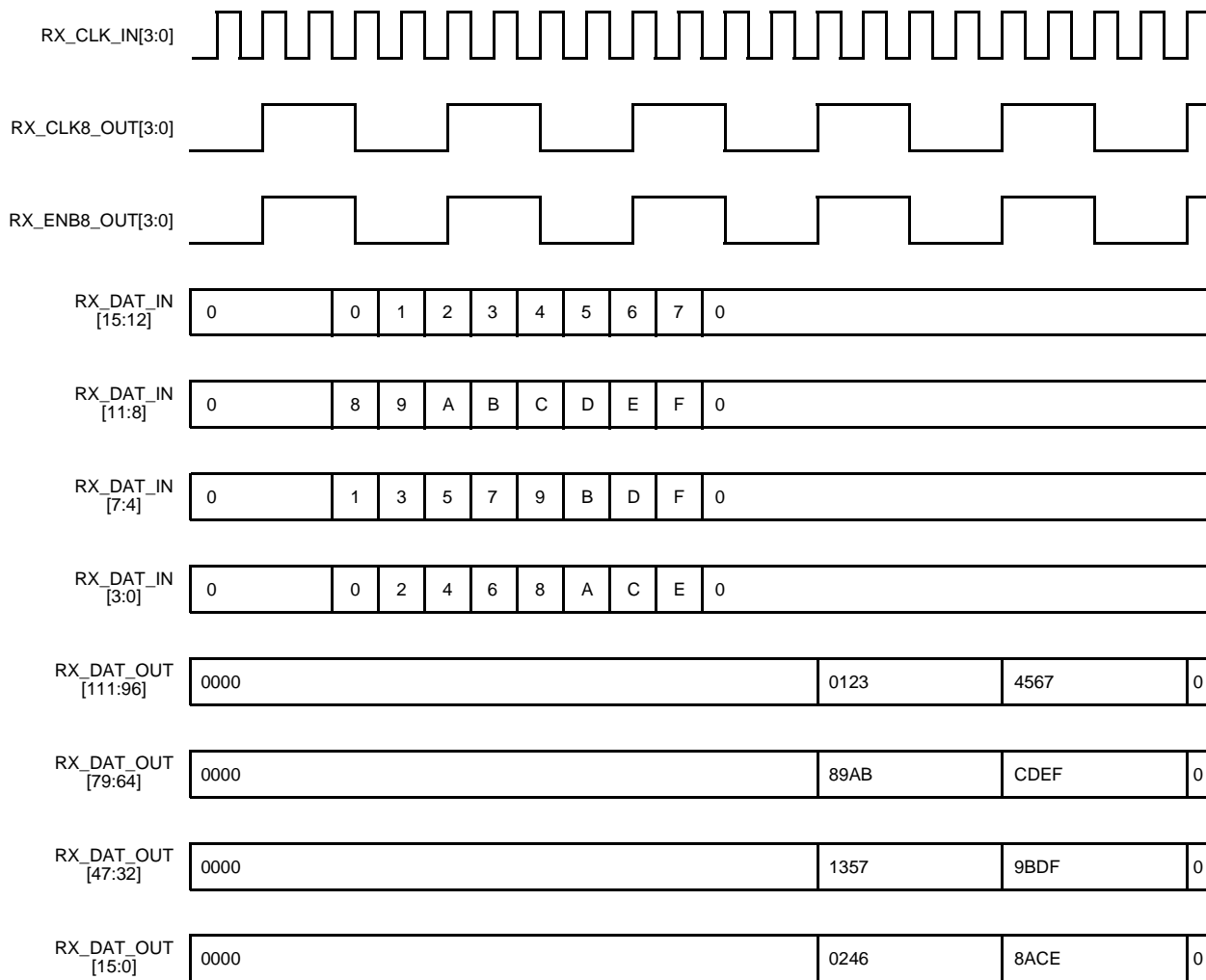
ORLI10G Demultiplexer (Rx) Detail (continued)



1342(F)

Figure 8. Demultiplexer Serial-to-Parallel Conversion—Divide by 8, 2.5G Mode

ORLI10G Demultiplexer (Rx) Detail (continued)



1343(F)

Figure 9. Demultiplexer Serial-to-Parallel Conversion—Divide by 4, 2.5G Mode

ORLI10G Multiplexer (Tx) Detail

The multiplexer module converts the incoming 128 bits of data from the FPGA logic at 78 MHz/106 MHz or 64 bits of data from the FPGA logic at 156 MHz/212 MHz into 16 bits of data at 622 MHz/850 MHz. It has been implemented as two stages. The first stage deinterleaves each incoming byte into a different byte stream that can be serially output on the output data pins. The second stage outputs these bytes into 16 bits or four groups of 4 bits, depending upon the mode of operation. Functionally, the multiplexer architecture consists of three blocks: the parallel-to-serial conversion, the counters, and the deinterleaving.

For 2.5G divide-by-8 mode, the first stage of the line interface module deinterleaves each incoming byte of data into a different byte stream on the 78 MHz/106 MHz (TX_CLK8_IN[3:0]) clock. This data is then registered on the rising edge of the 622 MHz/850 MHz (TX_CLK_IN) clock at the falling edge of the 78 MHz/106 MHz clock. The enable inputs (TX_ENB8_IN[3:0]) are used to transfer data from the low-speed clock to the high-speed clock, as well as synchronizing the counters of parallel-to-serial conversion which are running at the high-speed clock.

For 2.5G divide-by-4 mode, the first stage of the line interface module deinterleaves each incoming byte of data into a different byte stream on the 156 MHz/212 MHz (TX_CLK8_IN[3:0]) clock. This data is then registered on the rising edge of the 622 MHz/850 MHz (TX_CLK_IN) clock at the falling edge of the 156 MHz/212 MHz clock. The enable inputs (TX_ENB8_IN[3:0]) are used to transfer data from the low-speed clock to the high-speed clock, as well as synchronizing the counters of parallel-to-serial conversion which are running at the high-speed clock.

In 2.5G modes, the enable inputs (TX_ENB8_IN[3:0]) are required to be four (divide by 4) or eight (divide by 8) TX_CLK_IN clock cycles wide. They have to be synchronous to their corresponding TX_CLK8_IN[3:0] clock. Each of these four TX_CLK8_IN[3:0] clocks must also be frequency locked to the TX_CLK_IN signal.

In 10G modes, the enable inputs (TX_ENB8_IN[3:0]) are also required to be four (divide by 4) or eight (divide by 8) TX_CLK_IN clock cycles wide. In 10G modes, the other enable inputs (TX_ENB8_IN[3:1]) are unused. Unlike 2.5G modes, this enable is synchronous to a divided version of TX_CLK_IN from the embedded core. In 10G modes, the TX_CLK8_IN[3:0] inputs are not used. For version 2 ORLI10G devices, the enable signal can also optionally be generated automatically in the embedded

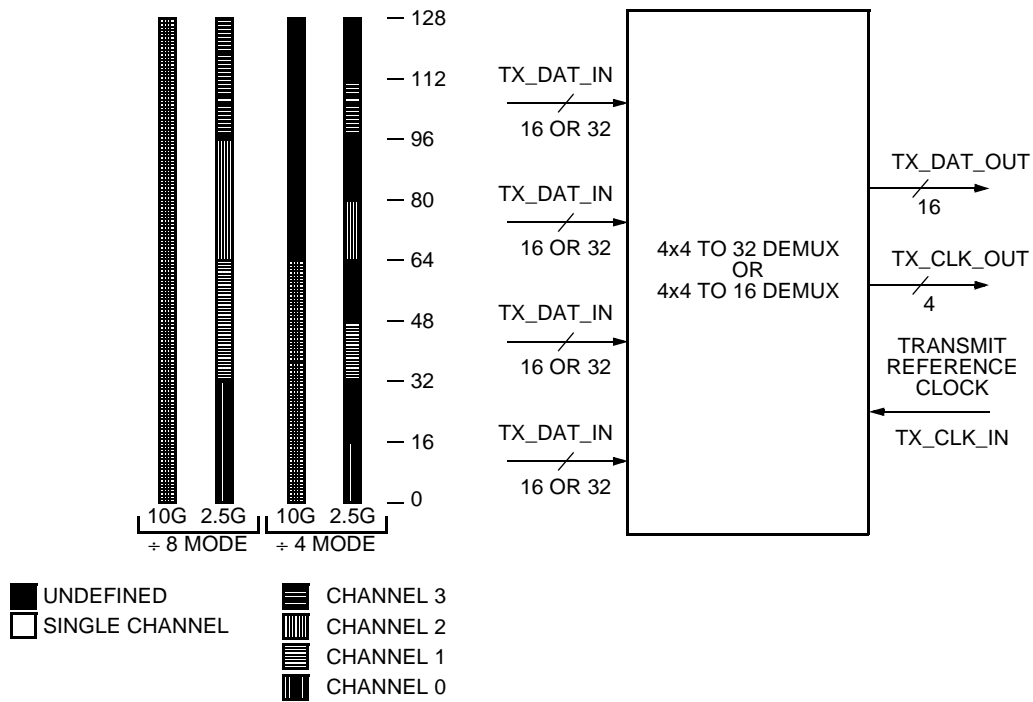
core, thus removing the need to supply TX_ENB8_IN0 when that mode is selected. A second new option for the version 2 ORLI10G devices will synchronize the TX_ENB8_IN0 enable with the divided version of TX_CLK_IN in the embedded core to simplify timing.

In both 2.5G and 10G modes, the TX_CLK_OUT[3:0] clock outputs from the ORLI10G are provided for transferring each 4 bits of data per clock.

For both 2.5G modes and 10G modes, all data to be transmitted to the embedded core must be frequency locked to the TX_CLK_IN signal. Thus, the divided version of this clock found at the embedded core interface should always be used to transfer data from the FPGA logic to the embedded core. In 2.5G modes, this same clock signal should also be used to generate the enable signals as discussed previously. These clock signals are available from the TX PLL outputs (TX1_VCO, TX1_VCOP, TX2_VCO, TX2_VCOP). Figure 10 shows the valid data input bits to the multiplexer in each of the four modes (divide-by-8, 10G and 2.5G modes, and divide-by-4, 10G and 2.5G modes). Figure 11—Figure 14 show the multiplexer input transmit reference clock, data, enable, and clock waveforms and output clock and data waveforms for all four modes.

In version 2 of the ORLI10G device, additional capabilities are added to the Multiplexer block. The first allows the clock inputs TX_CLK8_IN[3:0] to be optionally generated in the embedded core in 2.5G mode, as is done for 10G mode for version 1. The second option allows all enables TX_ENB8_IN[3:0] to be generated in the embedded core for both 2.5G and 10 G modes. The third option allows the enable inputs TX_ENB8_IN[3:0] to continue to be used, but they are re-synchronized in the embedded core before being used. All options allow for simplification of the FPGA to embedded core interface. If none are selected, the ORLI10G defaults to version 1 compatible operation.

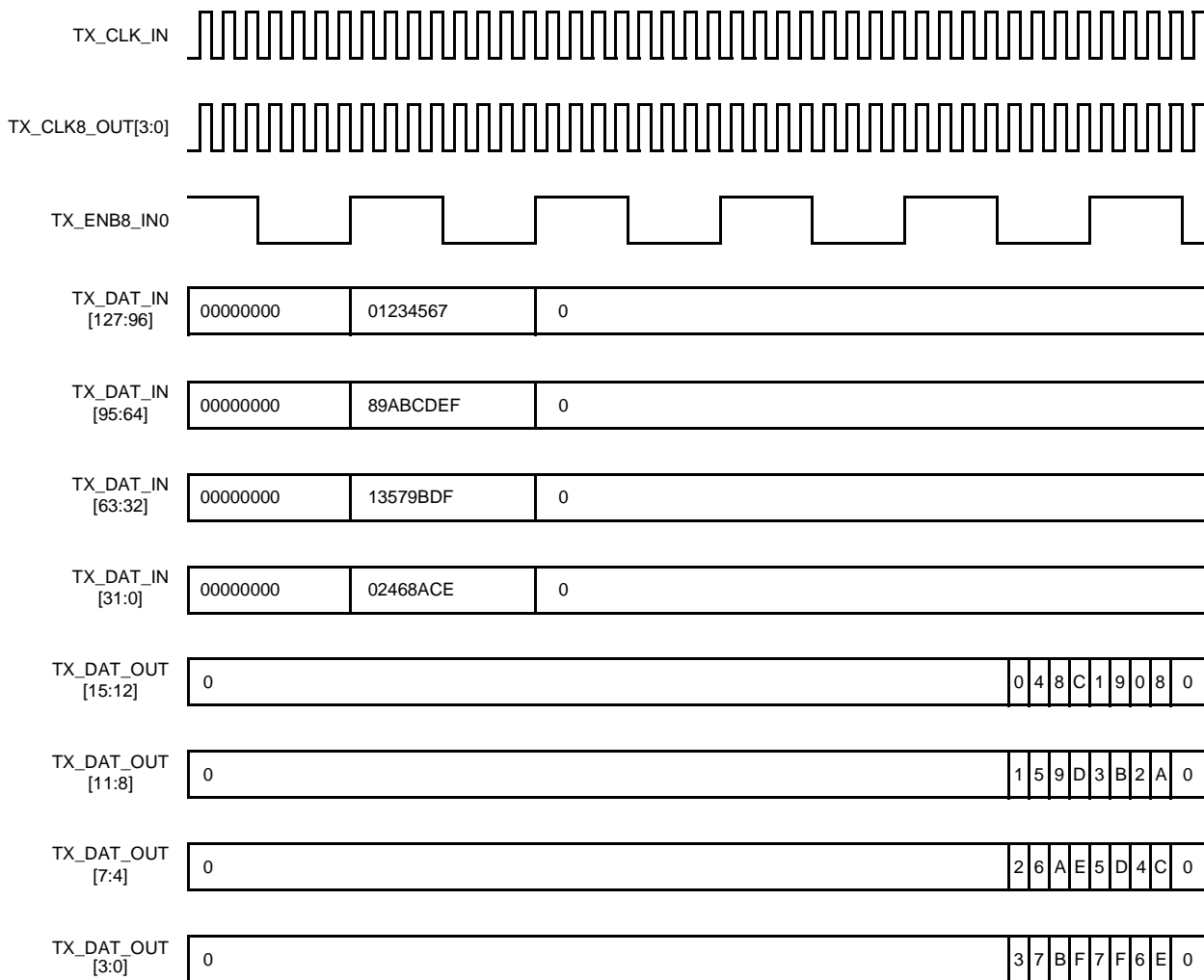
ORLI10G Multiplexer (Tx) Detail (continued)



1339(F)

Figure 10. Multiplexer Input Data Structure

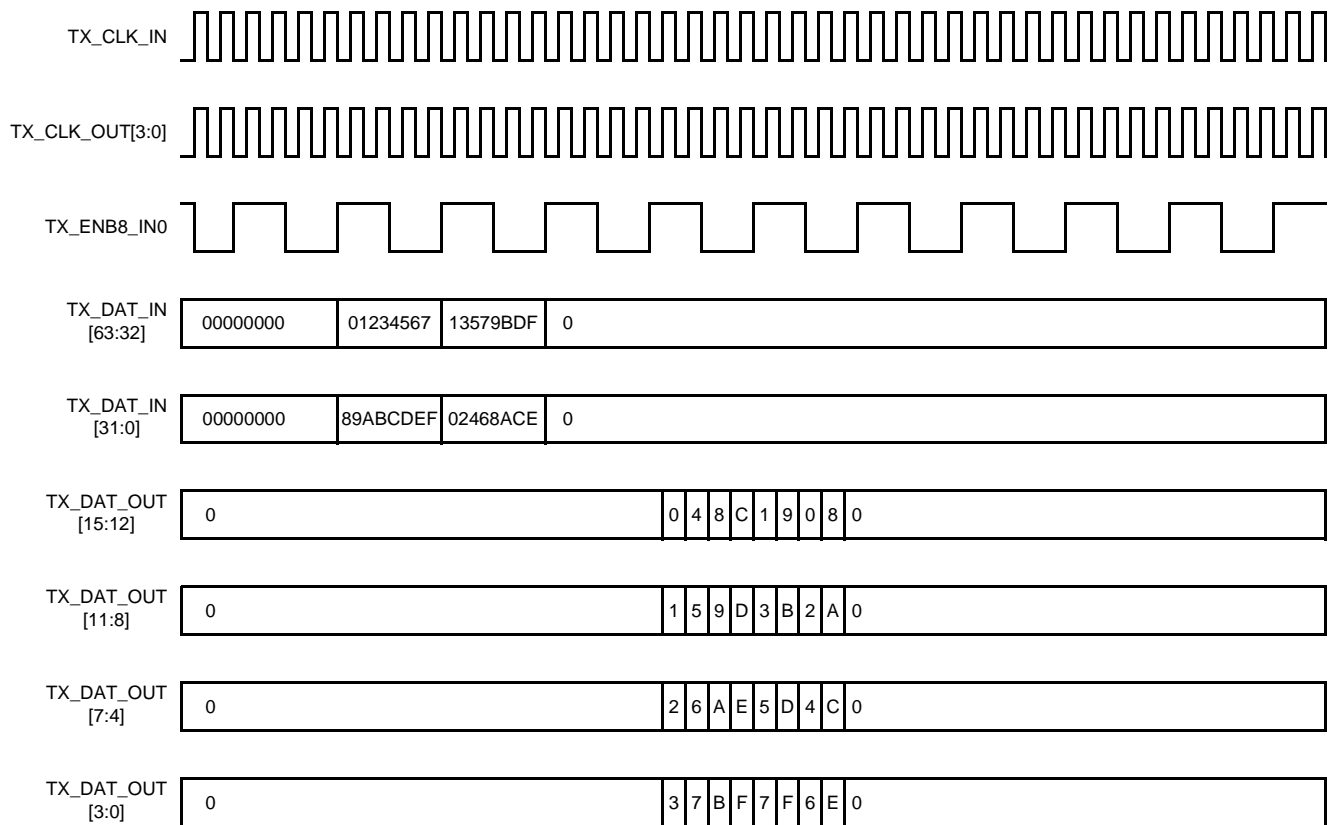
ORLI10G Multiplexer (Tx) Detail (continued)



1344(F)

Figure 11. Multiplexer Parallel-to-Serial Conversion—Divide by 8, 10G Mode

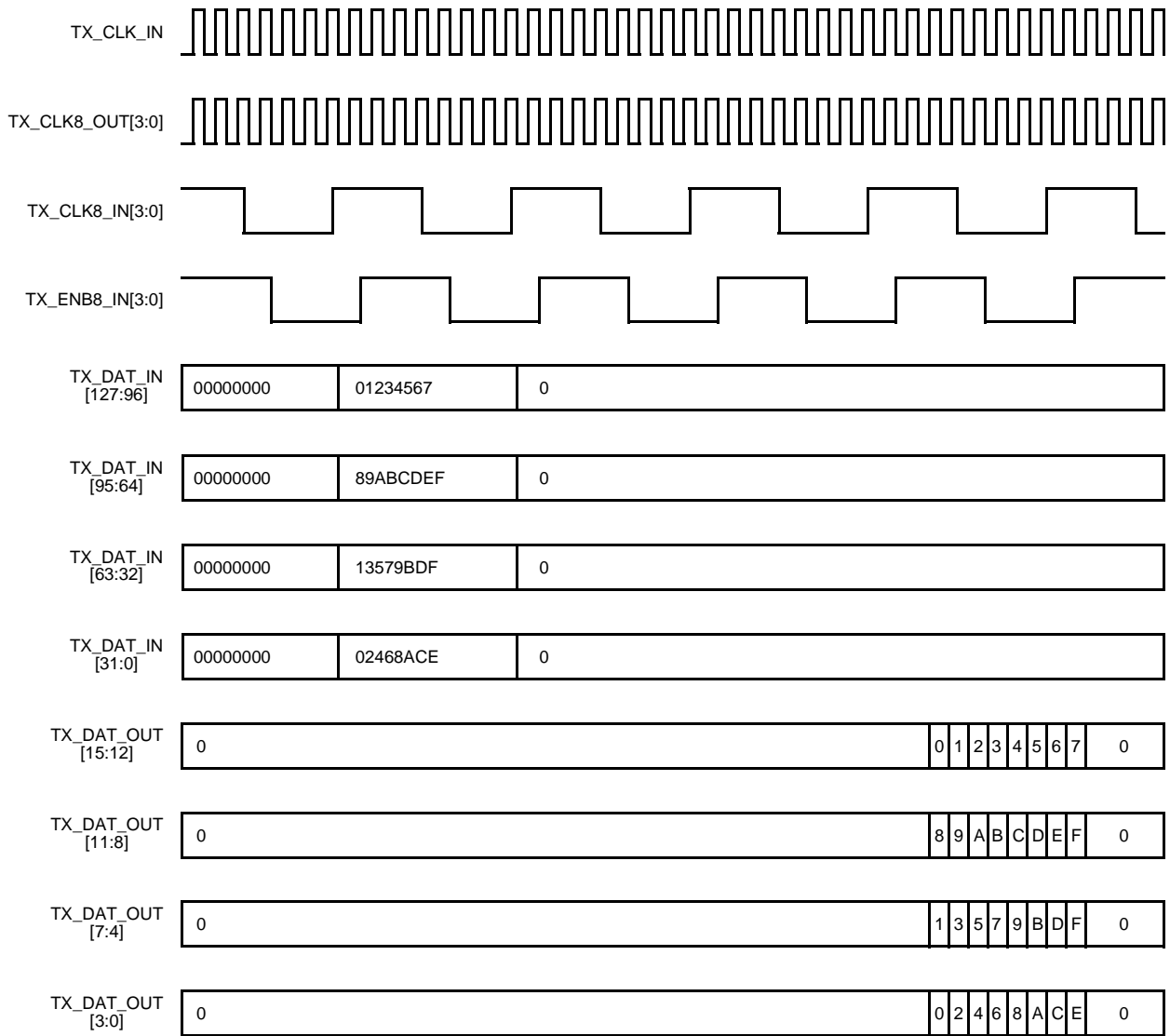
ORLI10G Multiplexer (Tx) Detail (continued)



1345(F)

Figure 12. Multiplexer Parallel-to-Serial Conversion—Divide by 4, 10G Mode

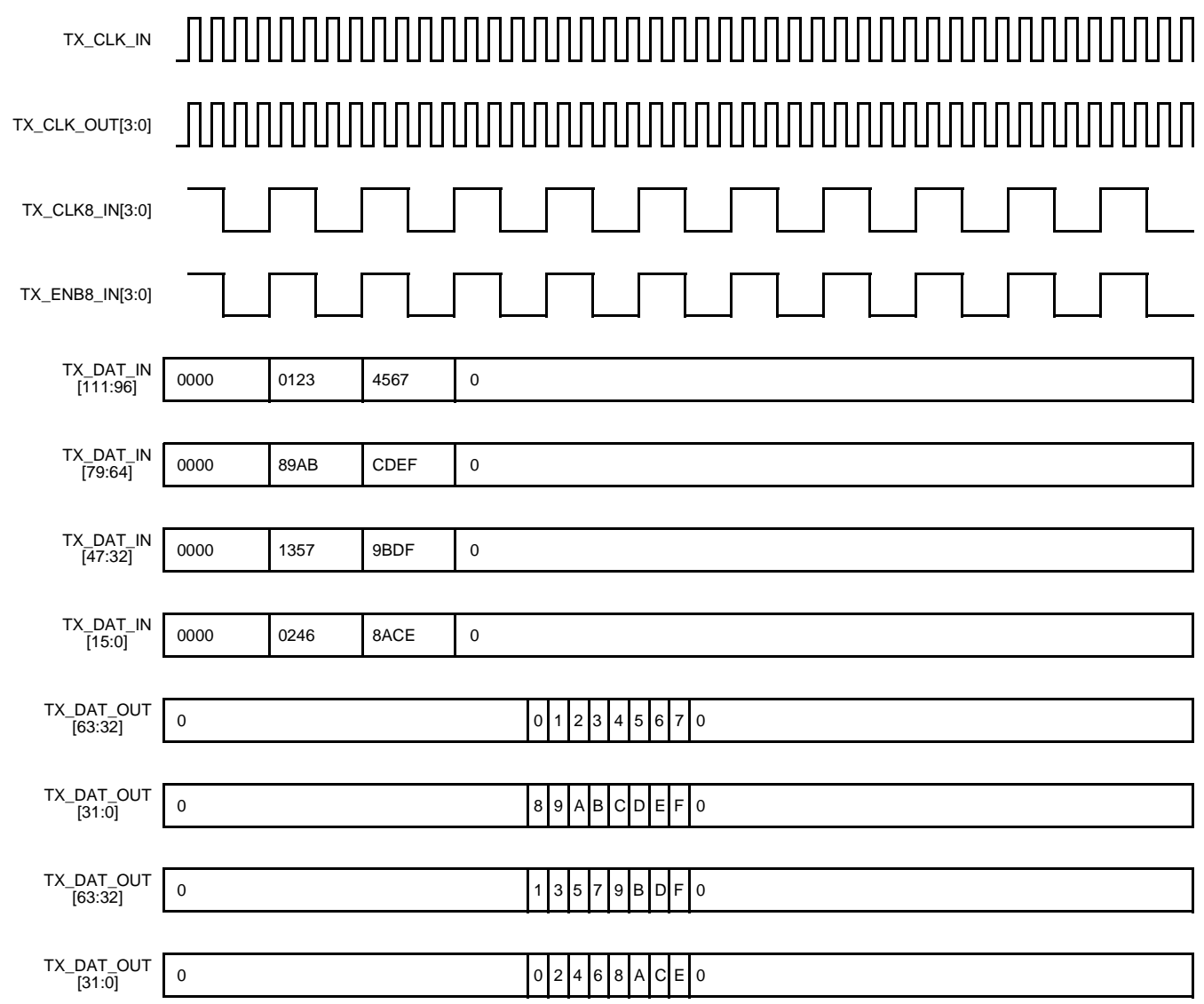
ORLI10G Multiplexer (Tx) Detail (continued)



1346(F)

Figure 13. Multiplexer Parallel-to-Serial Conversion—Divide by 8, 2.5G Mode

ORLI10G Multiplexer (Tx) Detail (continued)



1347(F)

Figure 14. Multiplexer Parallel-to-Serial Conversion—Divide by 4, 2.5G Mode

ORLI10G Embedded PLLs

The ORLI10G embedded (transmit and receive) PLLs are based on the 4E series FPGA high-speed programmable PLL (HPPLL). The 4E PLL consists of a phase/frequency detector (PFD), a charge pump/filter, a multitap voltage controlled oscillator (VCO), a duty cycle synthesis circuitry, a power regulator, two programmable dividers, phase shift selector multiplexers, a lock signal generator, and a current DAC. A block diagram of the programmable PLL is shown in Figure 15. The receive path RX1_PLL and transmit path TX1_PLL, which can be programmed to create a N/M frequency clock, are based on this design.

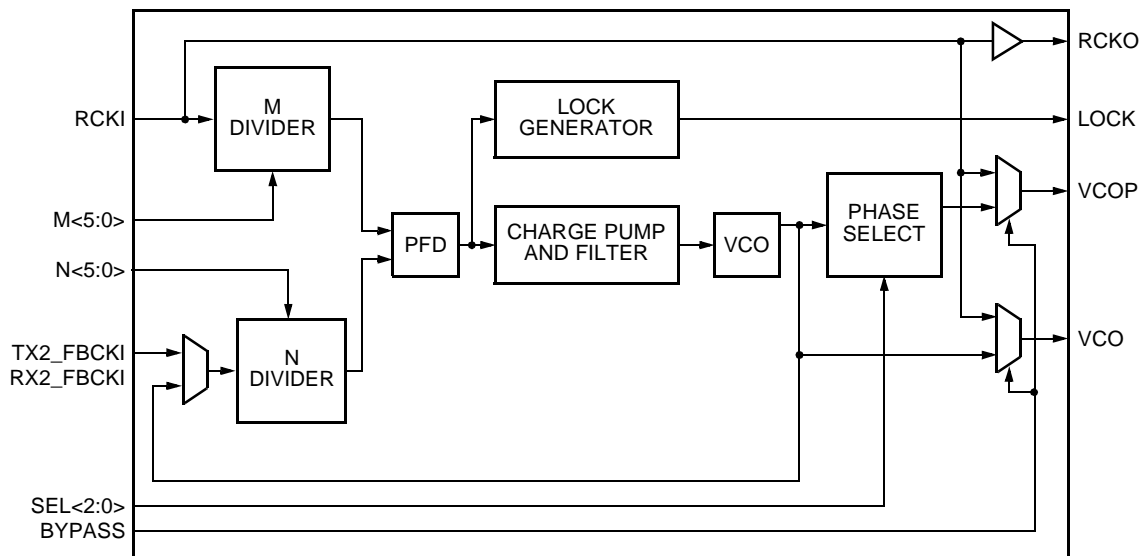
The receive path RX2_PLL and transmit path TX2_PLL create a X1 clock. This is essentially the same PLL without the M and N divider.

The RCKI input to the PLLs comes from an input clock to the ORLI10G that has been divided in frequency by either 4 or 8 (programmable). As shown in Figure 3, RX1_PLL and RX2_PLL are driven by the divided version of RX_CLK_IN0. As shown in Figure 4, TX1_PLL and TX2_PLL are driven by the divided versions of TX_CLK_IN. It should be noted that the speed of the ORLI10G line interface is therefore either 4X or 8X the operating speed of the embedded PLLs.

The clock feedback loops for the RX2_PLL and TX2_PLL should be routed from the clock network in the FPGA core so as to compensate for the routing delays to the FPGA logic interface. The source to the TX2_FBCKI or RX2_FBCKI inputs must come from an FPGA clock network driven by the VCO output (otherwise any phase shifting on VCOP is removed by the feedback loops). In this way, the clock skew at the embedded core/FPGA logic boundary is zero for the receive and transmit PLLs.

All PLLs include a phase shift selector which allows phase shift adjustments of each clock in increments of 1/8 the period of the clock. This phase shifted output is available on the VCOP output of the PLL.

All functions of the embedded core PLLs are user controlled through a GUI provided with the ORLI10G Design Kit software.



1331(F)

Figure 15. ORLI10G Programmable PLL Block Diagram

ORLI10G Embedded Programmable PLLs Specifications

Table 2. Programmable PLL Specifications

Parameters	Min	Nom	Max	Unit
VDD15	1.425	1.5	1.575	V
VDD33	3.0	3.3	3.6	V
Operating Temperature	-40	—	125	°C
Input Clock Frequency	60	—	420	MHz
Input Duty Cycle	30	—	70	%
Input Clock Jitter Requirement	—	—	TBD	UIp-p
Input Jitter Transfer	—	—	TBD	UIp-p
Output Clock Frequency	60	—	420	MHz
Output Duty Cycle	45	50	55	%
dc Power Consumption	—	50	—	mW
Total On Current (dc)	—	14	—	mA
Total Off Current (dc)	—	30.0	—	µA
Cycle to Cycle Jitter (p-p)	—	<0.02	TBD	UIp-p
Period Jitter (p-p)	TBD	TBD	TBD	UIp-p
Duty Cycle Jitter (p-p)	TBD	TBD	TBD	UIp-p
VCO Output vs. VCOP Output Jitter	—	—	TBD	ps
Lock Time	—	<50	—	µS
Frequency Multiplication (TX1_PLL and RX1_PLL)	2x, 3x, 4x, 5x, 6x, 7x, 8x			—
Frequency Division (TX1_PLL and RX1_PLL)	1/8x, 1/7x, 1/6x, 1/5x, 1/4x, 1/3x, 1/2x			—
Duty Cycle Adjust of Output Clock(s)	12.5, 25, 37.5, 50, 62.5, 75, 87.5			%
Delay Adjust of Output Clock	0, 45, 90, 135, 180, 225, 270, 315			degrees
Phase Shift Between VCO and VCOP	0, 45, 90, 135, 180, 225, 270, 315			degrees

Notes:

Multiplication and division values can both be used on one PLL output (example 3/4x).

For more information, see the *Series 4 PLL* Application Note.

ORLI10G Reset Requirements

Both the embedded core portion and the FPGA portion are reset at powerup. The embedded core is also reset, as shown in Table 3, based on other conditions. For version 1 ORLI10G devices, these resets are all asynchronous and must be held in reset for at least 8 ns. For version 2, the resets can also optionally be set to be asynchronous on with synchronous release. Table 3 also shows the conditions upon which the I/O are 3-stated.

Table 3. ORLI10G Reset Requirements

Condition	TX MUX Block	TX PLL	RX DeMUX Block	RX PLL	Embedded I/O
Powerup	Reset	Reset	Reset	Reset	3-state
FPGA Configuration	Reset	Reset	Reset	Reset	Active
TS_ALL Pin = 1	—	—	—	—	3-state
RESET_TX Pin = 1	Reset	Reset	—	—	Active
RESET_RX Pin = 1	—	—	Reset	Reset	Active
PWRON Pin = 1	—	Powerdown	—	Powerdown	Active

Typically, the following reset sequence should be followed for the ORLI10G:

- Place the device in reset by driving RESET_TX = 1, RESET_RX = 1, and by placing the FPGA portion into reset.
- Release the embedded core from reset by driving RESET_TX = 0 and RESET_RX = 0.
- Release the FPGA portion from reset.

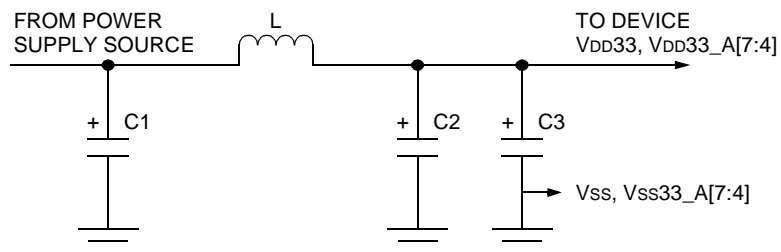
Line Interface Circuit Specifications

Power Supply Decoupling LC Circuit

The 622 MHz—850 MHz line interface macro contains both analog and digital circuitry. The line interface function, for example, is implemented as primarily a digital function, but it relies on a conventional analog phase-locked loop to provide its divided clocks. The internal analog phase-locked loop contains a voltage-controlled oscillator. This circuit will be sensitive to digital noise generated from the rapid switching transients associated with internal logic gates and parasitic inductive elements. Generated noise that contains frequency components beyond the bandwidth of the internal phase-locked loop (about 3 MHz) will not be attenuated by the phase-locked loop and will impact bit error rate directly. Thus, separate power supply pins are provided for these critical analog circuit elements.

Additional power supply filtering in the form of an LC pi filter section will be used between the power supply source and these device pins as shown in Figure 16. The corner frequency of the LC filter is chosen based on the power supply switching frequency, which is between 100 kHz and 300 kHz in most applications.

Capacitors C1 and C2 are large electrolytic capacitors to provide the basic cutoff frequency of the LC filter. For example, the cutoff frequency of the combination of these elements might fall between 5 kHz and 50 kHz. Capacitor C3 is a smaller ceramic capacitor designed to provide a low-impedance path for a wide range of high-frequency signals at the analog power supply pins of the device. The physical location of capacitor C3 must be as close to the device lead as possible. Multiple instances of capacitors C3 can be used if necessary. The recommended filter for the HSI macro is shown below: $L = 4.7 \mu\text{H}$, $R_L = 1 \Omega$, $C1 = 0.01 \mu\text{F}$, $C2 = 0.01 \mu\text{F}$, $C3 = 4.7 \mu\text{F}$.



5-9344(F).a

Figure 16. Sample Power Supply Filter Network for Analog LI Power Supply Pins

XGMII ORCA 4E Receive Analysis

XGMII Considerations

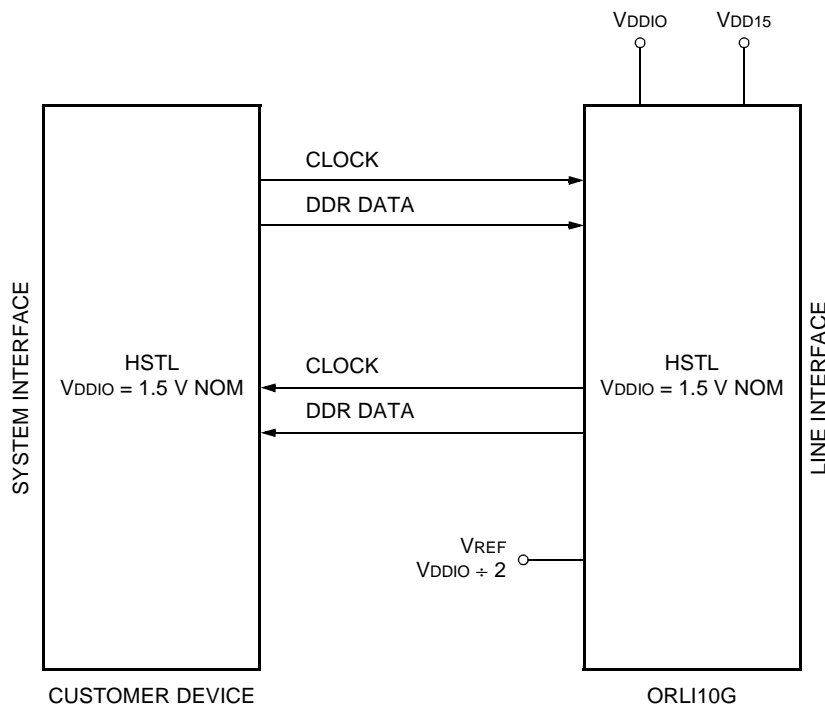
The stringent 10 Gbit media independent interface specifications from the *IEEE 802.3ae* standards are met in the FPGA side of the ORLI10G device. Figure 17 and Table 4 show a simplified block diagram for this interface and the receive voltage levels for the HSTL inputs to the ORLI10G device. Further details are available in the Series 4 I/O application note.

The ORLI10G device meets the 480 ps input setup time and 480 ps input hold time requirements for the XGMII receiver inputs into the FPGA side of the FPSC with the embedded IO DDR cells on the FPGA side of the FPSC. The PLLs are not used on input due to this being a forward clocked interface. The ORLI10G meets the clock-to-out specification on the XGMII DDR outputs by using the output shift register to produce a nonduty cycle-dependent output. An embedded output DDR capability is also available. The output clock is then centered around this data eye using internal PLLs.

There are two considerations to note about the pinout location of the XGMII input clocks:

1. The XGMII input clocks must be located at the C pad of the programmable I/O cells (PICs). In the pinout tables, the pads are labeled on a pin-by-pin basis. For example, a pin whose pad is referenced as PL1C can be used as an XGMII input clock, but pins referenced as PL1A, PL1B, or PL1D cannot be used as an XGMII input clock.
2. The XGMII input data pins can be no further than six PICs away from the XGMII input clock pin. This means that in the 416 PBGA package, the clock needs to be driven on two pins to be able to clock in the 32-bit XGMII input data bus.

Due to the strict pinout locations mentioned above, when implementing a XGMII interface, the microprocessor interface (MPI) will not be available in the 416 PBGA package.



1550.a(F)

Figure 17. Simplified XGMII Block Diagram

XGMII ORCA 4E Receive Analysis (continued)

Table 4. HSTL Input Requirements to FPGA

Inputs	Low	Nom	High
VDDIO	1.4 V	1.5 V	1.6 V
V _{IH} (min level)	0.88 V	0.95 V	1.10 V
VREF	0.68 V	0.75 V	0.90 V
V _{IL} (max level)	0.48 V	0.55 V	0.70 V

Absolute Maximum Ratings

Stresses in excess of the absolute maximum ratings can cause permanent damage to the device. These are absolute stress ratings only. Functional operation of the device is not implied at these or any other conditions in excess of those given in the operations sections of this data sheet. Exposure to absolute maximum ratings for extended periods can adversely affect device reliability.

The ORCA Series 4 FPSCs include circuitry designed to protect the chips from damaging substrate injection currents and to prevent accumulations of static charge. Nevertheless, conventional precautions should be observed during storage, handling, and use to avoid exposure to excessive electrical stress.

Table 5. Absolute Maximum Ratings

Parameter	Symbol	Min	Max	Unit
Storage Temperature	T _{stg}	-65	150	°C
Power Supply Voltage with Respect to Ground	VDD33	-0.3	4.2	V
	VDDIO	-0.3	4.2	V
	VDD33, VDD33_A	-0.3	2.0	V
	VDD15	-0.3	2.0	V
Input Signal with Respect to Ground	V _{IN}	-0.3	VDDIO + 0.3	V
Signal Applied to High-impedance Output	—	-0.3	VDDIO + 0.3	V
Maximum Package Body Temperature	—	—	220	°C

Recommended Operating Conditions

Table 6. Recommended Operating Conditions

Parameter	Symbol	Min	Max	Unit
Power Supply Voltage with Respect to Ground	VDD33	2.7	3.6	V
	VDDIO	1.4	3.6	V
	VDD33, VDD33_A	1.4	1.6	V
	VDD15	1.4	1.6	V
Input Voltages	V _{IN}	-0.3	VDDIO + 0.3	V
Junction Temperature	T _J	-40	125	°C

Notes:

The maximum recommended junction temperature (T_J) during operation is 125 °C.

Timing parameters in this data sheet and ORCA Foundry are characterized under tighter voltage and temperature conditions than the recommended operating conditions in this table.

The internal PLLs operate from the VDD33 and VDD33_A power supplies. These power supplies should be well isolated from all other power supplies on the board for proper operation.

Embedded Core LVDS I/O

Table 7. Driver dc Data*

Parameter	Symbol	Test Conditions	Min	Typ	Max	Unit
Output Voltage High, V_{OA} or V_{OB}	V_{OH}	$R_{LOAD} = 100 \Omega \pm 1\%$	—	—	1.475^\dagger	V
Output Voltage Low, V_{OA} or V_{OB}	V_{OL}	$R_{LOAD} = 100 \Omega \pm 1\%$	0.925^\dagger	—	—	V
Output Differential Voltage	$ V_{OD} $	$R_{LOAD} = 100 \Omega \pm 1\%$	0.25	—	0.45^\dagger	V
Output Offset Voltage	V_{OS}	$R_{LOAD} = 100 \Omega \pm 1\%$	1.125^*	—	1.275^\dagger	V
Output Impedance, Differential	R_o	$V_{CM} = 1.0 \text{ V}$ and 1.4 V	80	100	120	Ω
R_o Mismatch Between A and B	ΔR_o	$V_{CM} = 1.0 \text{ V}$ and 1.4 V	—	—	10	%
Change in Differential Voltage Between Complementary States	$ \Delta V_{OD} $	$R_{LOAD} = 100 \Omega \pm 1\%$	—	—	25	mV
Change in Output Offset Voltage Between Complementary States	ΔV_{OS}	$R_{LOAD} = 100 \Omega \pm 1\%$	—	—	25	mV
Output Current	I_{SA}, I_{SB}	Driver shorted to GND	—	—	24	mA
Output Current	I_{SAB}	Drivers shorted together	—	—	12	mA
Power-off Output Leakage	$ I_{xa} , I_{xb} $	$V_{DD} = 0 \text{ V}$ $V_{PAD}, V_{PADN} = 0 \text{ V} - 2.5 \text{ V}$	—	—	10	mA

* $V_{DD33} = 3.1 \text{ V} - 3.5 \text{ V}$, $V_{DD15} = 1.4 \text{ V} - 1.6 \text{ V}$, -40°C , and slow-fast process.

† External reference, $REF10 = 1.0 \text{ V} \pm 3\%$, $REF14 = 1.4 \text{ V} \pm 3\%$.

Table 8. Driver ac Data*

Parameter	Symbol	Test Conditions	Min	Max	Unit
V_{OD} Fall Time, 80% to 20%	t_f	$Z_L = 100 \Omega \pm 1\%$ $C_{PAD} = 3.0 \text{ pF}$, $C_{PADN} = 3.0 \text{ pF}$	100	210	ps
V_{OD} Rise Time, 20% to 80%	t_r	$Z_L = 100 \Omega \pm 1\%$ $C_{PAD} = 3.0 \text{ pF}$, $C_{PADN} = 3.0 \text{ pF}$	100	210	ps
Differential Skew: $ t_{PHLA} - t_{PLHB} $ or $ t_{PHLB} - t_{PLHA} $	t_{SKEW1}	Any differential pair on package at 50% point of the transition	—	50	ps
Channel-to-channel Skew: $ t_{pDIFFm} - t_{pDIFFn} $	t_{SKEW2}	Any two signals on package at 0 V differential	—	—	ps
Propagation Delay Time	t_{PLH} t_{PHL}	$Z_L = 100 \Omega \pm 1\%$ $C_{PAD} = 3.0 \text{ pF}$, $C_{PADN} = 3.0 \text{ pF}$	0.54 0.55	1.10 1.09	ns ns

* $V_{DD33} = 3.1 \text{ V} - 3.5 \text{ V}$, $V_{DD15} = 1.4 \text{ V} - 1.6 \text{ V}$, -40°C , and slow-fast process.

Table 9. Driver Power Consumption*

Parameter	Symbol	Test Conditions	Min	Max	Unit
Driver dc Power	PD_{dc}	$Z_L = 100 \Omega \pm 1\%$	—	26.0	mW
Driver ac Power	PD_{ac}	$Z_L = 100 \Omega \pm 1\%$ $C_{PAD} = 3.0 \text{ pF}$, $C_{PADN} = 3.0 \text{ pF}$	—	64	$\mu\text{W}/\text{MHz}$

* $V_{DD33} = 3.1 \text{ V} - 3.5 \text{ V}$, $V_{DD15} = 1.4 \text{ V} - 1.6 \text{ V}$, -40°C , and slow-fast process.

Embedded Core LVDS I/O (continued)

LVDS Receiver Buffer Requirements

Table 10. Receiver ac Data*

Parameter	Symbol	Test Conditions	Min	Max	Unit
Pulse-width Distortion	tpwd	VIDTH = 100 mV, 311 MHz	—	160	ps
Propagation Delay Time	tPLH	CL = 0.5 pF	0.60	1.42	ns
	tPHL		0.60	1.47	ns
With Common-mode Variation (0 V to 2.4 V)	$ \Delta tPD $	CL = 0.5 pF	—	50	ps
Output Rise Time, 20% to 80%	tR	CL = 0.5 pF	150	350	ps
Output Fall Time, 80% to 20%	tF	CL = 0.5 pF	150	350	ps

* V_{DD} = 3.1 V—3.5 V, 0 °C—125 °C, slow-fast process.

Table 11. Receiver Power Consumption*

Parameter	Symbol	Test Conditions	Min	Max	Unit
Receiver dc Power	PR _{dc}	dc	—	20.4	mW
Receiver ac Power	PR _{ac}	ac CL = 1.5 pF	—	4.5	μW/MHz

* V_{DD} = 3.1 V—3.5 V, 0 °C—125 °C, slow-fast process.

Table 12. Receiver dc Data*

Parameter	Symbol	Test Conditions	Min	Typ	Max	Unit
Input Voltage Range, VIA or VIB	V _I	$ VGPD < 925$ mV dc – 1 MHz	0.0	1.2	2.4	V
Input Differential Threshold	VIDTH	$ VGPD < 925$ mV 400 MHz	–100	—	100	mV
Input Differential Hysteresis	VHYST	(+VIDTHH) – (–VIDTHL)	—	—	— [†]	mV
Receiver Differential Input Impedance	R _{IN}	With build-in termination, center-tapped	80	100	120	Ω

* V_{DD} = 3.1 V—3.5 V, 0 °C—125 °C, slow-fast process.

[†] External reference, REF10 = 1.0 V ± 3%, REF14 = 1.4 V ± 3%.

Table 13. LVDS Operating Parameters

Parameter	Test Conditions	Min	Normal	Max	Unit
Transmit Termination Resistor	—	80	100	120	Ω
Receiver Termination Resistor	—	80	100	120	Ω
Temperature Range	—	–40	—	125	°C
Power Supply V _{DD33}	—	3.1	—	3.5	V
Power Supply V _{DD15}	—	1.4	—	1.6	V
Power Supply V _{SS}	—	—	0	—	V

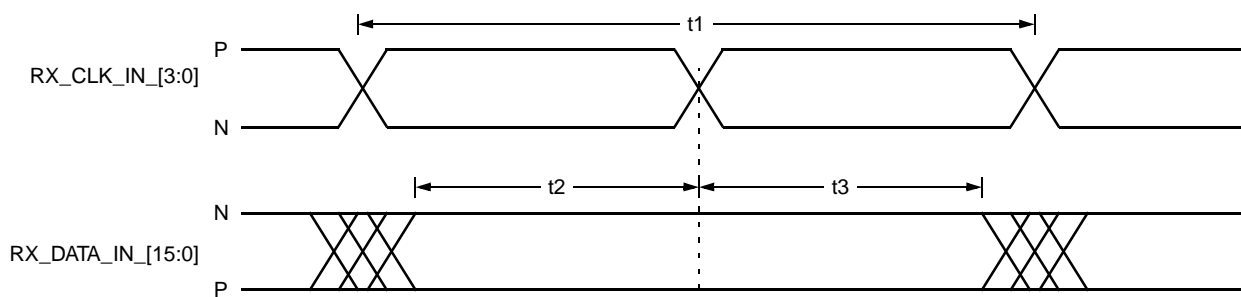
Note: Under worst-case operating condition, the LVDS driver will withstand a disabled or unpowered receiver for an unlimited period of time without being damaged. Similarly, when outputs are short-circuited to each other or to ground, the LVDS will not suffer permanent damage. The LVDS driver supports hot insertion. Under a well-controlled environment, the LVDS I/O can drive backplane as well as cable.

Timing Characteristics

Receive Input Data Interface

Receive STS-48/STS-192 (2.5G/10G) Data Inputs

Figure 18 illustrates the timing for the receive STS-48/STS-192 data stream. Both the clock and data pins are low-voltage differential signal (LVDS) input buffers. The expected clock rate is 622 MHz—850 MHz, and the receive data is clocked on the rising edge of the clock. In 2.5G mode, each of the four channels uses one set of RX_CLK_INn and 4 RX_DAT_INn data pins. In 10G mode, only RX_CLK_IN0 is used, along with the RX_DAT_IN[15:0] pins.



5-9085.b (F)

Figure 18. Receive Input Data Timing

Table 14. Receive Data Input Timing

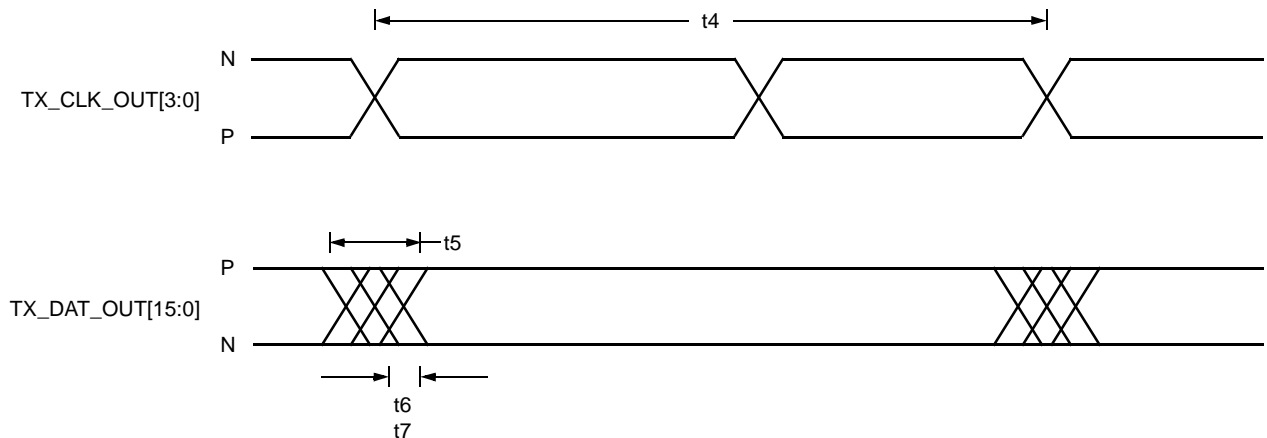
Symbol	Parameter	-1		-2		-3		Unit
		Min	Max	Min	Max	Min	Max	
t1	Clock Frequency	—	667	—	790	—	850	MHz
t2	Data Setup Time Required	300	—	225	—	210	—	ps
t3	Data Hold Time Required	300	—	225	—	210	—	ps

It is recommended that the Rx clock be inverted by crossing the LVDS pin pair, that is, connect the N to the P and the P to the N. This is because the embedded LI requires the Rx data to be centered on the Rx clock, and typically the devices that drive the ORLI10G transmit clock and data on the same clock edge. The timing values for the diagram are given in Table 14.

Timing Characteristics (continued)

Transmit STS-48/STS-192 (2.5G/10G) Data Outputs

Figure 19 illustrates the timing for the transmit STS-48/STS-192 data stream. Both the clock and data pins are driven with low-voltage differential signal (LVDS) output buffers. The expected clock rate is 622 MHz—850 MHz and the transmit data is clocked out on the rising edge of the clock. In 2.5G mode, each of the four channels uses one set of TX_CLK_OUTn with four TX_DAT_OUTn data pins. In 10G mode, only TX_CLK_OUT[0] is used with the 16 TX_DAT_OUT[15:0] pins. The timing values for the diagram are given in Table 15.



5-9089.c(F)

Figure 19. Transmit Output Data Timing

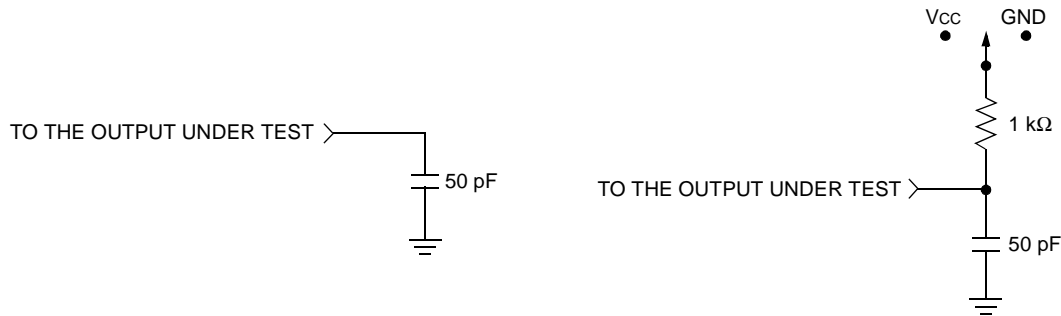
Table 15. Transmit Data Output Timing

Symbol	Parameter	-1		-2		-3		Unit
		Min	Max	Min	Max	Min	Max	
t4	Clock Frequency	—	667	—	790	—	850	MHz
—	Duty Cycle	45	55	45	55	45	55	%
t5	Data Delay from Clock Edge	-300	300	-225	225	-210	210	ps
t6	Data Rise Time: 20%—80%	100	200	100	200	100	200	ps
t7	Data Fall Time: 80%—20%	100	200	100	200	100	200	ps

* This requirement is for all sources of the output clocks (e.g., RCLKSI, etc.).

It is recommended that the Tx clock be inverted by crossing the LVDS pin pair, that is, connect the N to the P and the P to the N. This is because the receiving device that will be driven by the ORLI10G typically requires that data be centered around the clock, but the ORLI10G drives both the clock and data from the same clock edge.

Input/Output Buffer Measurement Conditions (Non-LVDS Buffer)



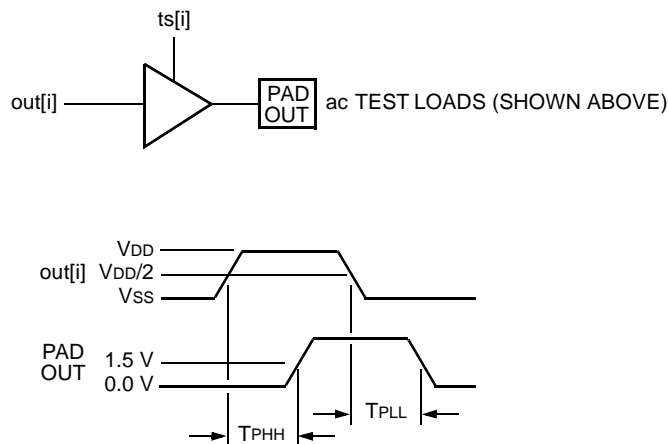
A. Load Used to Measure Propagation Delay

B. Load Used to Measure Rising/Falling Edges

Note: Switch to VDD for TPLZ/TPZL; switch to GND for TPHZ/TPZH.

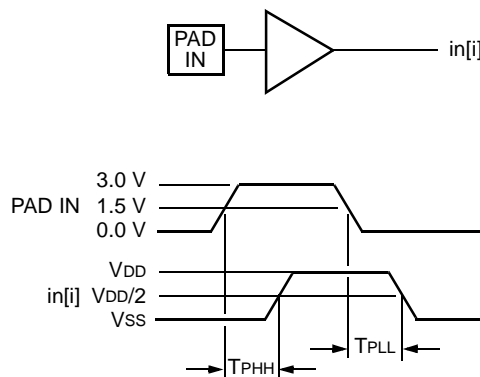
5-3234(F)

Figure 20. ac Test Loads



5-3233.a(F)

Figure 21. Output Buffer Delays



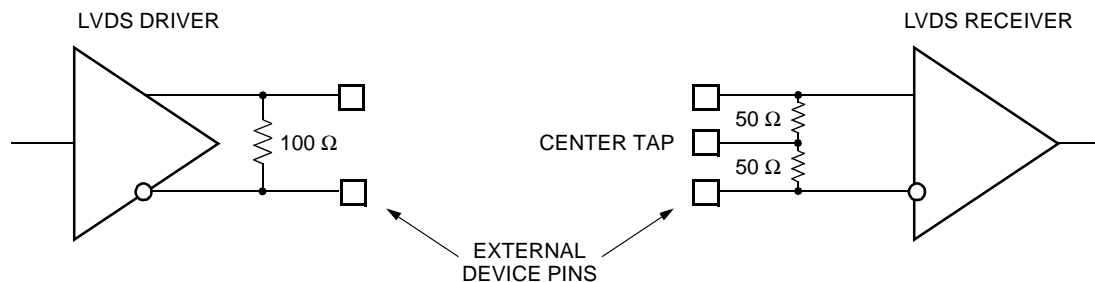
5-3235(F)

Figure 22. Input Buffer Delays

LVDS Buffer Characteristics

Termination Resistor

The LVDS drivers and receivers operate on a 100 Ω differential impedance, as shown below. External resistors are not required. The differential driver and receiver buffers include termination resistors inside the device package, as shown in Figure 23.

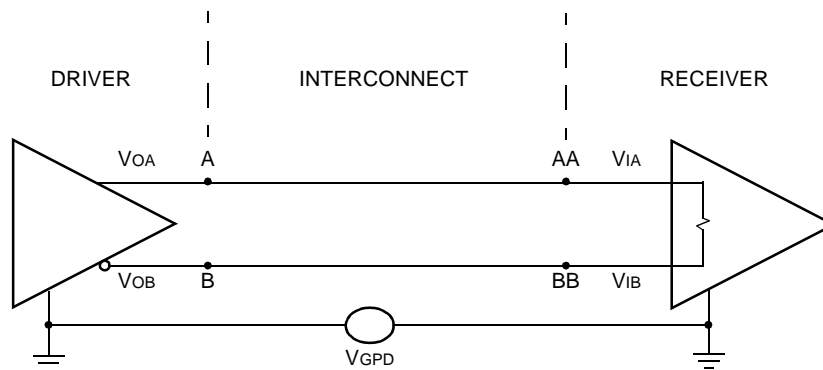


5-8703(F)

Figure 23. LVDS Driver and Receiver and Associated Internal Components

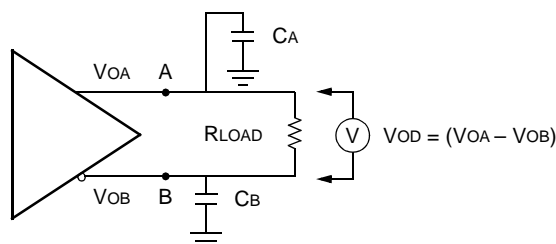
LVDS Driver Buffer Capabilities

Under worst-case operating condition, the LVDS driver must withstand a disabled or unpowered receiver for an unlimited period of time without being damaged. Similarly, when its outputs are short-circuited to each other or to ground, the LVDS driver will not suffer permanent damage. Figure 24 illustrates the terms associated with LVDS driver and receiver pairs.



5-8704(F)

Figure 24. LVDS Driver and Receiver



5-8705(F)

Figure 25. LVDS Driver

Pin Information

This section describes the pins and signals that perform FPGA-related functions. During configuration, the user-programmable I/Os are 3-stated and pulled up with an internal resistor. If any FPGA function pin is not used (or not bonded to package pin), it is also 3-stated and pulled up after configuration.

Table 16. FPGA Common-Function Pin Description

Symbol	I/O	Description
Dedicated Pins		
VDD33	—	3 V positive power supply.
VDD15	—	1.5 V positive power supply for internal logic.
VDDIO	—	Positive power supply used by I/O banks.
GND	—	Ground supply.
PTEMP	I	Temperature-sensing diode pin. Dedicated input.
$\overline{\text{RESET}}$	I	During configuration, $\overline{\text{RESET}}$ forces the restart of configuration and a pull-up is enabled. After configuration, $\overline{\text{RESET}}$ can be used as a general FPGA input or as a direct input, which causes all PLC latches/FFs to be asynchronously set/reset.
CCLK	I O	In the master and asynchronous peripheral modes, CCLK is an output which strobes configuration data in. In the slave or readback after configuration, CCLK is input synchronous with the data on DIN or D[7:0]. CCLK is an output for daisy-chain operation when the lead device is in master, peripheral, or system bus modes.
DONE	I	As an input, a low level on DONE delays FPGA start-up after configuration.*
	O	As an active-high, open-drain output, a high level on this signal indicates that configuration is complete. DONE has an optional pull-up resistor.
$\overline{\text{PRGM}}$	I	$\overline{\text{PRGM}}$ is an active-low input that forces the restart of configuration and resets the boundary-scan circuitry. This pin always has an active pull-up.
$\overline{\text{RD_CFG}}$	I	This pin must be held high during device initialization until the $\overline{\text{INIT}}$ pin goes high. This pin always has an active pull-up. During configuration, $\overline{\text{RD_CFG}}$ is an active-low input that activates the TS_ALL function and 3-states all of the I/O. After configuration, $\overline{\text{RD_CFG}}$ can be selected (via a bit stream option) to activate the TS_ALL function as described above, or, if readback is enabled via a bit stream option, a high-to-low transition on $\overline{\text{RD_CFG}}$ will initiate readback of the configuration data, including PFU output states, starting with frame address 0.
RD_DATA/TDO	O	RD_DATA/TDO is a dual-function pin. If used for readback, RD_DATA provides configuration data out. If used in boundary-scan, TDO is test data out.
$\overline{\text{CFG_IRQ}}/\overline{\text{MPI_IRQ}}$	O	During JTAG, slave, master, and asynchronous peripheral configuration assertion on this $\overline{\text{CFG_IRQ}}$ (active-low) indicates an error or errors for block RAM or FPSC initialization. MPI active-low interrupt request output.

* The FPGA States of Operation section in the ORCA *Series 4* data sheet contains more information on how to control these signals during start-up. The timing of DONE release is controlled by one set of bit stream options, and the timing of the simultaneous release of all other configuration pins (and the activation of all user I/Os) is controlled by a second set of options.

Pin Information (continued)

Figure 16. FPGA Common-Function Pin Description (continued)

Symbol	I/O	Description
Special-Purpose Pins (Can also be used as a general I/O.)		
M[3:0]	I	During powerup and initialization, M0—M3 are used to select the configuration mode with their values latched on the rising edge of $\overline{\text{INIT}}$. During configuration, a pull-up is enabled.
	I/O	After configuration, these pins are user-programmable I/O.*
PLL_CK[0:1,6:7]	I/O	Dedicated PCM clock pins. These pins are a user-programmable I/O pins if not used by PLLs.
P[TBLR]CLK[1:0] [TC]	I/O	Pins dedicated for the primary clock. These are input pins on the middle of each side with differential pairing. They may be used as general I/O pins if not needed for clocking purposes.
TDI, TCK, TMS	I	If boundary-scan is used, these pins are test data in, test clock, and test mode select inputs. If boundary-scan is not selected, all boundary-scan functions are inhibited once configuration is complete. Even if boundary-scan is not used, either TCK or TMS must be held at logic 1 during configuration. Each pin has a pull-up enabled during configuration.
	I/O	After configuration, these pins are user-programmable I/O.*
RDY/BUSY/RCLK	O	During configuration in peripheral mode, RDY/RCLK indicates another byte can be written to the FPGA. If a read operation is done when the device is selected, the same status is also available on D7 in asynchronous peripheral mode. After configuration, if the MPI is not used, this pin is a user-programmable I/O pin.*
	I/O	During the master parallel configuration mode, RCLK is a read output signal to an external memory. This output is not normally used.
HDC	O	High during configuration is output high until configuration is complete. It is used as a control output, indicating that configuration is not complete.
	I/O	After configuration, this pin is a user-programmable I/O pin.*
LDC	O	Low during configuration is output low until configuration is complete. It is used as a control output, indicating that configuration is not complete.
	I/O	After configuration, this pin is a user-programmable I/O pin.*
$\overline{\text{INIT}}$	I/O	$\overline{\text{INIT}}$ is a bidirectional signal before and during configuration. During configuration, a pull-up is enabled, but an external pull-up resistor is recommended. As an active-low, open-drain output, $\overline{\text{INIT}}$ is held low during power stabilization and internal clearing of memory. As an active-low input, $\overline{\text{INIT}}$ holds the FPGA in the wait-state before the start of configuration. After configuration, this pin is a user-programmable I/O pin.*
CS0, CS1	I	CS0 and CS1 are used in the asynchronous peripheral, slave parallel, and microprocessor configuration modes. The FPGA is selected when $\overline{\text{CS0}}$ is low and CS1 is high. During configuration, a pull-up is enabled.
	I/O	After configuration, these pins are user-programmable I/O pins.*
RD/MPI_STRB	I	$\overline{\text{RD}}$ is used in the asynchronous peripheral configuration mode. A low on $\overline{\text{RD}}$ changes D7 into a status output. As a status indication, a high indicates ready, and a low indicates busy. $\overline{\text{WR}}$ and $\overline{\text{RD}}$ should not be used simultaneously. If they are, the write strobe overrides. This pin is also used as the MPI data transfer strobe.
	I/O	After configuration, if the MPI is not used, this pin is a user-programmable I/O pin.*

* The FPGA States of Operation section in the ORCA Series 4 data sheet contains more information on how to control these signals during start-up. The timing of DONE release is controlled by one set of bit stream options, and the timing of the simultaneous release of all other configuration pins (and the activation of all user I/Os) is controlled by a second set of options.

Pin Information (continued)

Figure 16. FPGA Common-Function Pin Description (continued)

Symbol	I/O	Description
A[17:0]	I	During MPI mode, the A[17:0] are used as the address bus driven by the <i>PowerPC</i> bus master utilizing the least significant bits of the <i>PowerPC</i> 32-bit address.
$\overline{\text{MPI_BURST}}$	O	During master parallel configuration mode, A[17:0] address the configuration EPROM. In MPI mode, many of the A[n] pins have alternate uses as described below. See the special function blocks section for more MPI information. During configuration, if not in master parallel or an MPI configuration mode, these pins are 3-stated with a pull-up enabled. A[21] is used as the $\overline{\text{MPI_BURST}}$. It is driven low to indicate a burst transfer is in progress. Driven high indicates that the current transfer is not a burst.
$\overline{\text{MPI_BDIP}}$	O	A[20] is used as the $\overline{\text{MPI_BDIP}}$. It is driven by the <i>PowerPC</i> processor; assertion of this pin indicates that the second beat in front of the current one is requested by the master. Negated before the burst transfer ends to abort the burst data phase.
MPI_TSZ[1:0]	O	A[19:18] are used as the MPI_TSZ[1:0] signals and are driven by the bus master to indicate the data transfer size for the transaction. Set 01 for byte, 10 for half-word, and 00 for word.
A[21:0]	O	During master parallel mode A[21:0], address the configuration EPROMs up to 4 Mbytes. If not used for MPI, these pins are user-programmable I/O pins.*
$\overline{\text{MPI_ACK}}$	O	In <i>PowerPC</i> mode MPI operation, this is driven low indicating the MPI received the data on the write cycle or returned data on a read cycle.
$\overline{\text{MPI_CLK}}$	I	This is the <i>PowerPC</i> synchronous, positive-edge bus clock used for the MPI interface. It can be a source of the clock for the embedded system bus. If MPI is used, this can be the <i>AMBA</i> bus clock.
$\overline{\text{MPI_TEA}}$	O	A low on the MPI transfer error acknowledge indicates that the MPI detects a bus error on the internal system bus for the current transaction.
$\overline{\text{MPI_RTRY}}$	O	This pin requests the MPC860 to relinquish the bus and retry the cycle.
D[31:0]	I/O	Selectable data bus width from 8-, 16-, 32-bit. Driven by the bus master in a write transaction. Driven by MPI in a read transaction.
	I	D[7:0] receive configuration data during master parallel, peripheral, and slave parallel configuration modes and each pin has a pull-up enabled. During serial configuration modes, D0 is the DIN input. D[7:3] output internal status for asynchronous peripheral mode when RD is low. After configuration, the pins are user-programmable I/O pins.*
DP[3:0]	I/O	Selectable parity bus width from 1, 2, 4-bit, DP[0] for D[7:0], DP[1] for D[15:8], DP[2] for D[23:16], and DP[3] for D[32:24]. After configuration, this pin is a user-programmable I/O pin.*
DIN	I	During slave serial or master serial configuration modes, DIN accepts serial configuration data synchronous with CCLK. During parallel configuration modes, DIN is the D0 input. During configuration, a pull-up is enabled.
	I/O	After configuration, this pin is a user-programmable I/O pin.*
DOUT	O	During configuration, DOUT is the serial data output that can drive the DIN of daisy-chained slave devices. Data out on DOUT changes on the rising edge of CCLK.
	I/O	After configuration, DOUT is a user-programmable I/O pin.*

* The FPGA States of Operation section in the ORCA *Series 4* data sheet contains more information on how to control these signals during start-up. The timing of DONE release is controlled by one set of bit stream options, and the timing of the simultaneous release of all other configuration pins (and the activation of all user I/Os) is controlled by a second set of options.

Pin Information (continued)

This table describes the I/O signal ports on the embedded core portion of the device.

Table 17. FPSC Function Pin Description

Symbol	I/O	Description
Control and Global Pins		
PLL_BYPASS	I	3.3 V active-high. Enables the bypass mode for both receive and both transmit PLLs.
PWRDN	I	3.3 V active-high. Power down all LVDS links and both receive and both transmit PLLs.
RESET_RX	I	3.3 V active-high. Resets the receive PLLs and the demultiplexer block.
RESET_TX	I	3.3 V active-high. Resets the transmit PLLs and the multiplexer block.
Receive I/O Pins		
RX_DAT_IN_N<15:0>	I	LVDS data input for receive side.
RX_DAT_IN_P<15:0>	I	LVDS data input for receive side.
RX_CLK_IN_N<3:0>	I	LVDS clock inputs for receive side.
RX_CLK_IN_P<3:0>	I	LVDS clock inputs for receive side.
Transmit I/O Pins		
TX_DAT_OUT_N<15:0>	O	LVDS data outputs on transmit side.
TX_DAT_OUT_P<15:0>	O	LVDS data outputs on transmit side.
TX_CLK_OUT_N<3:0>	O	LVDS clock outputs on transmit side.
TX_CLK_OUT_P<3:0>	O	LVDS clock outputs on transmit side.
TX_CLK_IN_N	I	LVDS transmit reference clock input.
TX_CLK_IN_P	I	LVDS transmit reference clock input.
LVDS Input Reference Pins		
LV_REF10	—	LVDS reference voltage: 1.0 V \pm 3%.
LV_REF14	—	LVDS reference voltage: 1.4 V \pm 3%.
LV_RES_HI	—	LVDS resistor high pin (use 100 Ω to LV_RES_LO pin).
LV_RES_LO	—	LVDS resistor low pin (use 100 Ω to LV_RES_HI pin).
LVCTAP_[6:1]	—	LVDS input centertap (use 0.01 μ F to GND).

Pin Information (continued)

In Figure 18, an output refers to a signal flowing into the FPGA logic (out of the embedded core) and an input refers to a signal flowing out of the FPGA logic (into the embedded core).

Table 18. Embedded Core/FPGA Interface Signal Description

Pin Name	I/O	Description
Receive Signals		
RX_DAT_OUT<127:0>	O	Data from demultiplexer on receive side.
RX_CLK8_OUT<3:0>	O	Divided down clocks on receive side.
RX_ENB8_OUT<3:0>	O	Data enables on receive side.
RX1_VCOP	O	RX1_PLL output clock on receive side (M/N clock) after phase select.
RX1_VCO	O	RX1_PLL output clock on receive side (M/N clock) before phase select.
RX2_VCOP	O	RX2_PLL output clock on receive side (x1 clock) after phase select.
RX2_VCO	O	RX2_PLL output clock on receive side (x1 clock) before phase select.
RX2_FBCKI	I	PLL feedback input to RX2_PLL. This allows for the removal of the FPGA clock routing delay.
RX1_BYPASS	I	Set to 1 to bypass the RX1 PLL.
RX2_BYPASS	I	Set to 1 to bypass the RX2 PLL.
RX_LOCK	O	Lock signal for RX1_PLL and RX2_PLL. This signal is a logical OR of the lock signal from both PLLs. It is not integrated; thus, small glitches can occur on this signal during normal PLL operation.
Transmit Signals		
TX_DAT_IN<127:0>	I	Data to multiplexer on transmit side.
TX_CLK8_IN<3:0>	I	Clocks to multiplexer on transmit side.
TX_ENB8_IN[3:0]	I	Data enables on transmit side.
TX1_VCOP	O	TX1_PLL output clock on transmit side (M/N clock) after phase select.
TX1_VCO	O	TX1_PLL output clock on transmit side (M/N clock) before phase select.
TX2_VCOP	O	TX2_PLL output clock on transmit side (x1 clock) after phase select.
TX2_VCO	O	TX2_PLL output clock on transmit side (x1 clock) before phase select.
TX2_FBCKI	I	PLL feedback input to TX2 PLL. This allows for the removal of the FPGA clock routing delay.
TX1_BYPASS	I	Set to 1 to bypass the TX1 PLL.
TX2_BYPASS	I	Set to 1 to bypass the TX2 PLL.
TX_LOCK	O	Lock signal for TX1_PLL and TX2_PLL. This signal is a logical OR of the lock signal from both PLLs. It is not integrated; thus, small glitches can occur on this signal during normal PLL operation.
Vss_A<7:4>	—	Analog ground for the embedded line interface PLLs.
VDD33_A<7:4>	—	Analog power supply for the embedded line interface PLLs.

Pin Information (continued)

Package Pinouts

Table 14 provides the number of user programmable I/Os available for each available package. Table 20 provides the package pin and pin function for the ORLI10G FPSC and packages. The bond pad name is identified in the PIO nomenclature used in the ORCA Foundry design editor. The bank column provides information as to which output voltage level bank the given pin is in. The group column provides information as to the group of pins the given pin is in. This is used to show which VREF pin is used to provide the reference voltage for single-ended limited-swing I/Os. If none of these buffer types (such as SSTL, GTL, HSTL) are used in a given group, then the VREF pin is available as an I/O pin.

When the number of FPGA bond pads exceeds the number of package pins, bond pads are unused. When the number of package pins exceeds the number of bond pads, package pins are left unconnected (no connects). When a package pin is to be left as a no connect for a specific die, it is indicated as a note in the device column for the FPGA. The tables provide no information on unused pads.

Table 19. ORCA Programmable I/Os Summary

Device	416 PBGAM	680 PBGAM
User programmable I/O	192	316
Available programmable differential pair pins	184	272
FPGA configuration pins	7	7
FPGA dedicated function pins	2	2
Core function pins	86	86
VDD15	28	84
VDD33_A	4	4
VDD33	14	28
VDDIO	21	44
VSS	48	95
VSS_A	4	4
LVCTAP for dedicated differential channels	6	6
Core LV_REF pins	4	4
Total package pins	416	680

It is very important to note the pinout limitations for 10 Gbits/s Ethernet applications. Specifically, the very stringent timing requirements of the XGMII specification coupled with the I/O availability and locations in the 416-pin PBGA requires that the XGMII output pins be located on three sides of the device. This may cause issues with routing the XGMII bus at a board level since the XGMII specification for routing this bus on a board is only 2 in.

In addition, the built-in microprocessor interface (MPI) cannot be fully utilized in the 416-pin PBGA and the 680-pin PBGA packages because the implementation of the XGMII interface limits the number of available address and data pins.

As shown in the Pair columns in Table 20, differential pairs and physical locations are numbered within each bank (e.g., L19C_A0 is the nineteenth pair in an associated bank). A C indicates complementary differential whereas a T indicates true differential. An _A0 indicates the physical location of adjacent balls in either the horizontal or vertical direction. Other physical indicators are as follows:

- _A1 indicates one ball between pairs.
- _A2 indicates two balls between pairs.
- _D0 indicates balls are diagonally adjacent.
- _D1 indicates balls are diagonally adjacent separated by one physical ball.

VREF pins, shown in the Pin Description column in Table 20, are associated to the bank and group (e.g., VREF_TL_01 is the VREF for group one of the top left (TL) bank).

Pin Information (continued)

Table 20. PBGA Pinout Table

BM416	BM680	VDDIO Bank	VREF Group	I/O	Pin Description	Additional Function	BM416 Pair	BM680 Pair
A2	A1	—	—	Vss	Vss	—	—	—
D4	E5	—	—	VDD33	VDD33	—	—	—
D3	E4	—	—	O	PRD_DATA	RD_DATA/TDO	—	—
A1	—	—	—	VDD15	VDD15	—	—	—
C1	C1	—	—	I	PRESET_N	RESET_N	—	—
E4	D1	—	—	I	PRD_CFG_N	RD_CFG_N	—	—
F4	E2	—	—	I	PPRGRM_N	PRGRM_N	—	—
C2	A2	0 (TL)	—	VddIO0	VddIO0	—	—	—
D2	F4	0 (TL)	7	I/O	PL2D	PLL_CK0C/HPPLL	L14C_D0	L21C_A0
E3	F3	0 (TL)	7	I/O	PL2C	PLL_CK0T/HPPLL	L14T_D0	L21T_A0
—	A3	0 (TL)	—	VddIO0	VddIO0	—	—	—
—	G5	0 (TL)	7	I/O	PL3D	—	—	L22C_A0
D1	F5	0 (TL)	7	I/O	PL3C	VREF_0_07	—	L22T_A0
A25	A18	—	—	Vss	Vss	—	—	—
E2	G4	0 (TL)	7	I/O	PL4D	D5	L15C_D0	L23C_D1
F3	F2	0 (TL)	7	I/O	PL4C	D6	L15T_D0	L23T_D1
—	B1	0 (TL)	—	VddIO0	VddIO0	—	—	—
—	H5	0 (TL)	8	I/O	PL4B	—	—	L24C_D1
—	G3	0 (TL)	8	I/O	PL4A	VREF_0_08	—	L24T_D1
E1	F1	0 (TL)	8	I/O	PL5D	HDC	L16C_D0	L25C_A0
F2	G2	0 (TL)	8	I/O	PL5C	LDC_N	L16T_D0	L25T_A0
B1	A33	—	—	Vss	Vss	—	—	—
—	H4	0 (TL)	8	I/O	PL5B	—	—	L26C_A0
—	J5	0 (TL)	8	I/O	PL5A	—	—	L26T_A0
G4	H3	0 (TL)	9	I/O	PL6D	TESTCFG	L17C_A0	L27C_D1
H4	G1	0 (TL)	9	I/O	PL6C	D7	L17T_A0	L27T_D1
G3	B3	0 (TL)	—	VddIO0	VddIO0	—	—	—
F1	J4	0 (TL)	9	I/O	PL7D	VREF_0_09	L18C_D0	L28C_D1
G2	H2	0 (TL)	9	I/O	PL7C	A17/PPC_A31	L18T_D0	L28T_D1
—	A34	—	—	Vss	Vss	—	—	—
H2	K5	0 (TL)	9	I/O	PL8D	CS0_N	L19C_A0	L29C_D1
H3	J3	0 (TL)	9	I/O	PL8C	CS1	L19T_A0	L29T_D1
—	C2	0 (TL)	—	VddIO0	VddIO0	—	—	—
G1	H1	0 (TL)	10	I/O	PL9D	—	L20C_A0	L30C_A0
H1	J2	0 (TL)	10	I/O	PL9C	—	L20T_A0	L30T_A0
—	B2	—	—	Vss	Vss	—	—	—
—	K4	0 (TL)	10	I/O	PL9A	—	—	—
J4	L5	0 (TL)	10	I/O	PL10D	INIT_N	L21C_A0	L31C_D1
K4	K3	0 (TL)	10	I/O	PL10C	DOUT	L21T_A0	L31T_D1
A26	—	—	—	VDD15	VDD15	—	—	—
J3	J1	0 (TL)	10	I/O	PL11D	VREF_0_10	L22C_A0	L32C_A0
J2	K2	0 (TL)	10	I/O	PL11C	A16/PPC_A30	L22T_A0	L32T_A0
—	B33	—	—	Vss	Vss	—	—	—
—	K1	0 (TL)	10	I/O	PL11A	—	—	—
J1	M5	7 (CL)	1	I/O	PL12D	A15/PPC_A29	L1C_D0	L1C_A0
K2	L4	7 (CL)	1	I/O	PL12C	A14/PPC_A28	L1T_D0	L1T_A0

Pin Information (continued)

Table 20. PBGA Pinout Table (continued)

BM416	BM680	VDDIO Bank	VREF Group	I/O	Pin Description	Additional Function	BM416 Pair	BM680 Pair
K1	L1	7 (CL)	—	VDDIO7	VDDIO7	—	—	—
—	M4	7 (CL)	1	I/O	PL12B	—	—	L2C_A0
—	N5	7 (CL)	1	I/O	PL12A	—	—	L2T_A0
K3	L3	7 (CL)	1	I/O	PL13D	VREF_7_01	L2C_A0	L3C_A0
L3	L2	7 (CL)	1	I/O	PL13C	D4	L2T_A0	L3T_A0
U16	B34	—	—	Vss	Vss	—	—	—
—	N4	7 (CL)	2	I/O	PL13B	—	—	L4C_A0
—	P5	7 (CL)	2	I/O	PL13A	—	—	L4T_A0
L4	M2	7 (CL)	2	I/O	PL14D	RDY/BUSY_N/RCLK	L3C_A0	L5C_A0
M4	M1	7 (CL)	2	I/O	PL14C	VREF_7_02	L3T_A0	L5T_A0
L2	M3	7 (CL)	—	VDDIO7	VDDIO7	—	—	—
L1	N3	7 (CL)	2	I/O	PL15D	A13/PPC_A27	L4C_A0	L6C_A0
M1	N2	7 (CL)	2	I/O	PL15C	A12/PPC_A26	L4T_A0	L6T_A0
U17	C3	—	—	Vss	Vss	—	—	—
M3	P4	7 (CL)	3	I/O	PL16D	—	L5C_A0	L7C_A0
M2	P3	7 (CL)	3	I/O	PL16C	—	L5T_A0	L7T_A0
—	R3	7 (CL)	—	VDDIO7	VDDIO7	—	—	—
—	R5	7 (CL)	3	I/O	PL16A	—	—	—
N1	N1	7 (CL)	3	I/O	PL17D	A11/PPC_A25	L6C_A0	L8C_A0
N2	P2	7 (CL)	3	I/O	PL17C	VREF_7_03	L6T_A0	L8T_A0
AE1	C13	—	—	Vss	Vss	—	—	—
—	R4	7 (CL)	3	I/O	PL17A	—	—	—
—	P1	7 (CL)	3	I/O	PL18D	—	—	L9C_A0
—	R2	7 (CL)	3	I/O	PL18C	—	—	L9T_A0
U14	—	—	—	VDD15	VDD15	—	—	—
—	T2	7 (CL)	3	I/O	PL18B	—	—	L10C_A0
—	R1	7 (CL)	3	I/O	PL18A	—	—	L10T_A0
N3	T5	7 (CL)	4	I/O	PL19D	RD_N/MPI_STRB_N	L7C_A0	L11C_A0
N4	T4	7 (CL)	4	I/O	PL19C	VREF_7_04	L7T_A0	L11T_A0
AE26	C22	—	—	Vss	Vss	—	—	—
—	U5	7 (CL)	4	I/O	PL19B	—	—	L12C_D1
—	T3	7 (CL)	4	I/O	PL19A	—	—	L12T_D1
P4	T1	7 (CL)	4	I/O	PL20D	PLCK0C	L8C_A0	L13C_D1
P3	U3	7 (CL)	4	I/O	PL20C	PLCK0T	L8T_A0	L13T_D1
P2	U1	7 (CL)	—	VDDIO7	VDDIO7	—	—	—
—	U4	7 (CL)	4	I/O	PL20B	—	—	L14C_A1
—	U2	7 (CL)	4	I/O	PL20A	—	—	L14T_A1
AF1	—	—	—	VDD15	VDD15	—	—	—
AF2	C32	—	—	Vss	Vss	—	—	—
P1	V1	7 (CL)	5	I/O	PL21D	A10/PPC_A24	L9C_A0	L15C_A0
R1	V2	7 (CL)	5	I/O	PL21C	A9/PPC_A23	L9T_A0	L15T_A0
AF25	D4	—	—	Vss	Vss	—	—	—
—	V3	7 (CL)	5	I/O	PL21B	—	—	L16C_A0
—	V4	7 (CL)	5	I/O	PL21A	—	—	L16T_A0
R2	V5	7 (CL)	5	I/O	PL22D	A8/PPC_A22	L10C_A0	L17C_A0

Pin Information (continued)

Table 20. PBGA Pinout Table (continued)

BM416	BM680	V _{DD} I/O Bank	VREF Group	I/O	Pin Description	Additional Function	BM416 Pair	BM680 Pair
R3	W4	7 (CL)	5	I/O	PL22C	VREF_7_05	L10T_A0	L17T_A0
AF26	—	—	—	V _{DD} 15	V _{DD} 15	—	—	—
—	W3	7 (CL)	5	I/O	PL23D	—	—	L18C_A0
—	W2	7 (CL)	5	I/O	PL23C	—	—	L18T_A0
—	D30	—	—	V _{SS}	V _{SS}	—	—	—
—	Y1	7 (CL)	5	I/O	PL23A	—	—	—
T1	W5	7 (CL)	6	I/O	PL24D	PLCK1C	L11C_A0	L19C_A0
T2	Y4	7 (CL)	6	I/O	PL24C	PLCK1T	L11T_A0	L19T_A0
—	W1	7 (CL)	—	V _{DD} I/O7	V _{DD} I/O7	—	—	—
—	Y2	7 (CL)	6	I/O	PL24A	—	—	—
T4	Y5	7 (CL)	6	I/O	PL25D	VREF_7_06	L12C_A0	L20C_D1
R4	AA3	7 (CL)	6	I/O	PL25C	A7/PPC_A21	L12T_A0	L20T_D1
—	D31	—	—	V _{SS}	V _{SS}	—	—	—
—	AA2	7 (CL)	6	I/O	PL25A	—	—	—
U1	AA1	7 (CL)	6	I/O	PL26D	A6/PPC_A20	L13C_A0	L21C_A0
U2	AB1	7 (CL)	6	I/O	PL26C	A5/PPC_A19	L13T_A0	L21T_A0
T3	Y3	7 (CL)	—	V _{DD} I/O7	V _{DD} I/O7	—	—	—
V1	AA4	7 (CL)	7	I/O	PL26B	—	—	—
V2	AB2	7 (CL)	7	I/O	PL27D	WR_N/MPI_RW	L14C_D0	L22C_A0
U3	AB3	7 (CL)	7	I/O	PL27C	VREF_7_07	L14T_D0	L22T_A0
—	AA5	7 (CL)	7	I/O	PL27B	—	—	L23C_A0
—	AB4	7 (CL)	7	I/O	PL27A	—	—	L23T_A0
W1	AC2	7 (CL)	8	I/O	PL28D	A4/PPC_A18	L15C_A0	L23C_A0
Y1	AC1	7 (CL)	8	I/O	PL28C	VREF_7_08	L15T_A0	L23T_A0
—	AC3	7 (CL)	—	V _{DD} I/O7	V _{DD} I/O7	—	—	—
V4	AB5	7 (CL)	8	I/O	PL29D	A3/PPC_A17	L16C_A0	L23C_A0
U4	AC4	7 (CL)	8	I/O	PL29C	A2/PPC_A16	L16T_A0	L23T_A0
—	D33	—	—	V _{SS}	V _{SS}	—	—	—
—	AD2	7 (CL)	8	I/O	PL29A	—	—	—
V3	AC5	7 (CL)	8	I/O	PL30D	A1/PPC_A15	L17C_D0	L24C_D1
W2	AD3	7 (CL)	8	I/O	PL30C	A0/PPC_A14	L17T_D0	L24T_D1
Y2	AE1	7 (CL)	8	I/O	PL31D	DP0	L18C_D0	L25C_A0
W3	AE2	7 (CL)	8	I/O	PL31C	DP1	L18T_D0	L25T_A0
—	E34	—	—	V _{SS}	V _{SS}	—	—	—
—	AF1	7 (CL)	8	I/O	PL31A	—	—	—
AA1	AD5	6 (BL)	1	I/O	PL32D	D8	L1C_A0	L1C_A0
AA2	AD4	6 (BL)	1	I/O	PL32C	VREF_6_01	L1T_A0	L1T_A0
—	AK4	6 (BL)	—	V _{DD} I/O6	V _{DD} I/O6	—	—	—
—	AE3	6 (BL)	1	I/O	PL32A	—	—	—
Y3	AE5	6 (BL)	1	I/O	PL33D	D9	L2C_D0	L2C_A0
W4	AE4	6 (BL)	1	I/O	PL33C	D10	L2T_D0	L2T_A0
T16	F33	—	—	V _{SS}	V _{SS}	—	—	—
Y4	AF2	6 (BL)	2	I/O	PL34D	—	L3C_D0	L3C_A0
AA3	AG1	6 (BL)	2	I/O	PL34C	VREF_6_02	L3T_D0	L3T_A0
AB1	AK5	6 (BL)	—	V _{DD} I/O6	V _{DD} I/O6	—	—	—

Pin Information (continued)

Table 20. PBGA Pinout Table (continued)

BM416	BM680	VDDIO Bank	VREF Group	I/O	Pin Description	Additional Function	BM416 Pair	BM680 Pair
—	AF3	6 (BL)	2	I/O	PL34B	—	—	L4C_A1
—	AF5	6 (BL)	2	I/O	PL34A	—	—	L4T_A1
T17	H34	—	—	Vss	Vss	—	—	—
AB2	AG2	6 (BL)	3	I/O	PL35B	D11	L4C_D0	L5C_D1
AC1	AF4	6 (BL)	3	I/O	PL35A	D12	L4T_D0	L5T_D1
—	AH1	6 (BL)	3	I/O	PL36D	—	—	L6C_D1
—	AG3	6 (BL)	3	I/O	PL36C	—	—	L6T_D1
—	AL1	6 (BL)	—	VDDIO6	VDDIO6	—	—	—
AC2	AH2	6 (BL)	3	I/O	PL36B	VREF_6_03	L5C_D0	L7C_A0
AB3	AJ1	6 (BL)	3	I/O	PL36A	D13	L5T_D0	L7T_A0
—	AG4	6 (BL)	4	I/O	PL37D	—	—	—
U10	J33	—	—	Vss	Vss	—	—	—
—	AH3	6 (BL)	4	I/O	PL37B	—	—	L8C_D1
AD1	AG5	6 (BL)	4	I/O	PL37A	VREF_6_04	—	L8T_D1
—	AJ2	6 (BL)	4	I/O	PL38C	—	—	—
—	AL3	6 (BL)	—	VDDIO6	VDDIO6	—	—	—
—	AK1	6 (BL)	4	I/O	PL38B	—	—	—
—	AH4	6 (BL)	4	I/O	PL38A	—	—	—
AA4	AJ3	6 (BL)	4	I/O	PL39D	PLL_CK7C/HPPLL	L6C_A0	L9C_A0
AB4	AK2	6 (BL)	4	I/O	PL39C	PLL_CK7T/HPPLL	L6T_A0	L9T_A0
U11	L34	—	—	Vss	Vss	—	—	—
—	AH5	6 (BL)	4	I/O	PL39B	—	—	L10C_A0
—	AJ4	6 (BL)	4	I/O	PL39A	—	—	L10T_A0
U12	N13	—	—	Vss	Vss	—	—	—
AC3	AK3	—	—	I	PTEMP	PTEMP	—	—
AD2	AM1	6 (BL)	—	VDDIO6	VDDIO6	—	—	—
R14	—	—	—	VDD15	VDD15	—	—	—
AE2	AN1	—	—	I/O	LVDS_R	LVDS_R	—	—
AD3	AJ5	—	—	VDD33	VDD33	—	—	—
U15	N14	—	—	Vss	Vss	—	—	—
AC4	AL5	—	—	VDD33	VDD33	—	—	—
T13	—	—	—	VDD15	VDD15	—	—	—
AE3	AM5	6 (BL)	5	I/O	PB2A	DP2	—	L11T_A0
—	AN4	6 (BL)	5	I/O	PB2B	—	—	L11C_A0
—	AM2	6 (BL)	—	VDDIO6	VDDIO6	—	—	—
AC5	AK6	6 (BL)	5	I/O	PB2C	PLL_CK6T/PPLL	L7T_D0	L12T_A0
AD4	AL6	6 (BL)	5	I/O	PB2D	PLL_CK6C/PPLL	L7C_D0	L12C_A0
—	AK7	6 (BL)	5	I/O	PB3A	—	—	—
—	N15	—	—	Vss	Vss	—	—	—
—	AN5	6 (BL)	5	I/O	PB3C	—	—	L13T_A0
—	AM6	6 (BL)	5	I/O	PB3D	—	—	L13C_A0
AE4	AN6	6 (BL)	5	I/O	PB4A	VREF_6_05	L8T_D0	L14T_A0
AF3	AP5	6 (BL)	5	I/O	PB4B	DP3	L8C_D0	L14C_A0
—	AM4	6 (BL)	—	VDDIO6	VDDIO6	—	—	—
AC6	AL7	6 (BL)	6	I/O	PB4C	—	L9T_D0	L15T_A0

Pin Information (continued)

Table 20. PBGA Pinout Table (continued)

BM416	BM680	V _{DDIO} Bank	VREF Group	I/O	Pin Description	Additional Function	BM416 Pair	BM680 Pair
AD5	AM7	6 (BL)	6	I/O	PB4D	—	L9C_D0	L15C_A0
—	N20	—	—	V _{ss}	V _{ss}	—	—	—
AF4	AN7	6 (BL)	6	I/O	PB5C	VREF_6_06	L10T_D0	L16T_A0
AE5	AP6	6 (BL)	6	I/O	PB5D	D14	L10C_D0	L16C_A0
—	AK8	6 (BL)	6	I/O	PB6A	—	—	L17T_A0
AD6	AL8	6 (BL)	6	I/O	PB6B	—	—	L17C_A0
AF5	AN3	6 (BL)	—	V _{DDIO6}	V _{DDIO6}	—	—	—
AC7	AM8	6 (BL)	7	I/O	PB6C	D15	L11T_A0	L18T_D1
AC8	AK9	6 (BL)	7	I/O	PB6D	D16	L11C_A0	L18C_D1
—	AP7	6 (BL)	7	I/O	PB7A	—	—	—
—	N21	—	—	V _{ss}	V _{ss}	—	—	—
AD7	AL9	6 (BL)	7	I/O	PB7C	D17	L12T_D0	L19T_A0
AE6	AK10	6 (BL)	7	I/O	PB7D	D18	L12C_D0	L19C_A0
—	AN8	6 (BL)	7	I/O	PB8A	—	—	—
—	AP2	6 (BL)	—	V _{DDIO6}	V _{DDIO6}	—	—	—
AE7	AM9	6 (BL)	7	I/O	PB8C	VREF_6_07	L13T_D0	L20T_A0
AD8	AL10	6 (BL)	7	I/O	PB8D	D19	L13C_D0	L20C_A0
—	AP8	6 (BL)	8	I/O	PB9A	—	—	—
—	N22	—	—	V _{ss}	V _{ss}	—	—	—
AF6	AL11	6 (BL)	8	I/O	PB9C	D20	L14T_A0	L21T_A0
AF7	AK11	6 (BL)	8	I/O	PB9D	D21	L14C_A0	L21C_A0
—	AM10	6 (BL)	8	I/O	PB10A	—	—	—
T14	—	—	—	V _{DD15}	V _{DD15}	—	—	—
AE8	AN9	6 (BL)	8	I/O	PB10C	VREF_6_08	L15T_D0	L22T_A0
AD9	AP9	6 (BL)	8	I/O	PB10D	D22	L15C_D0	L22C_A0
—	AM11	6 (BL)	9	I/O	PB11A	—	—	L23T_D1
—	AK12	6 (BL)	9	I/O	PB11B	—	—	L23C_D1
—	P13	—	—	V _{ss}	V _{ss}	—	—	—
AC9	AN10	6 (BL)	9	I/O	PB11C	D23	L16T_A0	L24T_A0
AC10	AP10	6 (BL)	9	I/O	PB11D	D24	L16C_A0	L24C_A0
—	AL12	6 (BL)	9	I/O	PB12A	—	—	L25T_A0
—	AK13	6 (BL)	9	I/O	PB12B	—	—	L25C_A0
—	AP3	6 (BL)	—	V _{DDIO6}	V _{DDIO6}	—	—	—
AF8	AN11	6 (BL)	9	I/O	PB12C	VREF_6_09	L17T_D0	L26T_A0
AE9	AN12	6 (BL)	9	I/O	PB12D	D25	L17C_D0	L26C_A0
—	AK14	6 (BL)	9	I/O	PB13A	—	—	L27T_A0
—	AL13	6 (BL)	9	I/O	PB13B	—	—	L27C_A0
—	P14	—	—	V _{ss}	V _{ss}	—	—	—
AD10	AP12	6 (BL)	10	I/O	PB13C	D26	L18T_A0	L28T_A0
AE10	AN13	6 (BL)	10	I/O	PB13D	D27	L18C_A0	L28C_A0
—	AL14	6 (BL)	10	I/O	PB14A	—	—	L29T_A0
—	AK15	6 (BL)	10	I/O	PB14B	—	—	L29C_A0
AF9	—	6 (BL)	—	V _{DDIO6}	V _{DDIO6}	—	—	—
AE11	AP13	6 (BL)	10	I/O	PB14C	VREF_6_10	L19T_A0	L30T_A0
AD11	AP14	6 (BL)	10	I/O	PB14D	D28	L19C_A0	L30C_A0

Pin Information (continued)

Table 20. PBGA Pinout Table (continued)

BM416	BM680	VDDIO Bank	VREF Group	I/O	Pin Description	Additional Function	BM416 Pair	BM680 Pair
—	AN14	6 (BL)	11	I/O	PB15A	—	—	—
—	P15	—	—	Vss	Vss	—	—	—
AC12	AM14	6 (BL)	11	I/O	PB15C	D29	L20T_A0	L31T_A0
AC11	AL15	6 (BL)	11	I/O	PB15D	D30	L20C_A0	L31C_A0
—	AN15	6 (BL)	11	I/O	PB16A	—	—	—
AF10	AM16	6 (BL)	11	I/O	PB16C	VREF_6_11	L21T_A0	L32T_A0
AF11	AL16	6 (BL)	11	I/O	PB16D	D31	L21C_A0	L32C_A0
—	AP15	5 (BC)	1	I/O	PB17A	—	—	—
R16	P20	—	—	Vss	Vss	—	—	—
AD12	AN16	5 (BC)	1	I/O	PB17C	—	L1T_A0	L1T_A0
AE12	AP16	5 (BC)	1	I/O	PB17D	—	L1C_A0	L1C_A0
—	AK16	5 (BC)	1	I/O	PB18A	—	—	—
P16	—	—	—	VDD15	VDD15	—	—	—
AF12	AL17	5 (BC)	1	I/O	PB18C	VREF_5_01	L2T_A0	L2T_A0
AF13	AK17	5 (BC)	1	I/O	PB18D	—	L2C_A0	L2C_A0
P17	—	—	—	VDD15	VDD15	—	—	—
R17	P21	—	—	Vss	Vss	—	—	—
—	AM17	5 (BC)	2	I/O	PB19A	—	—	L3T_A0
—	AN17	5 (BC)	2	I/O	PB19B	—	—	L3C_A0
T10	P22	—	—	Vss	Vss	—	—	—
AD13	AP18	5 (BC)	2	I/O	PB19C	PBCK0T	L3T_A0	L4T_A1
AE13	AM18	5 (BC)	2	I/O	PB19D	PBCK0C	L3C_A0	L4C_A1
—	AN18	5 (BC)	2	I/O	PB20A	—	—	L5T_A1
—	AL18	5 (BC)	2	I/O	PB20B	—	—	L5C_A1
AF14	AM12	5 (BC)	—	VDDIO5	VDDIO5	—	—	—
AC14	AN19	5 (BC)	2	I/O	PB20C	VREF_5_02	L4T_A0	L6T_D2
AC13	AK18	5 (BC)	2	I/O	PB20D	—	L4C_A0	L6C_2
—	AM19	5 (BC)	2	I/O	PB21A	—	—	L7T_D1
—	AP20	5 (BC)	2	I/O	PB21B	—	—	L7C_D1
R13	—	—	—	VDD15	VDD15	—	—	—
AE14	AL19	5 (BC)	3	I/O	PB21C	—	L5T_A0	L8T_D1
AD14	AN20	5 (BC)	3	I/O	PB21D	VREF_5_03	L5C_A0	L8C_D1
—	AP21	5 (BC)	3	I/O	PB22A	—	—	—
T11	P34	—	—	Vss	Vss	—	—	—
AF15	AL20	5 (BC)	3	I/O	PB22C	—	L6T_A0	L9T_A0
AE15	AK19	5 (BC)	3	I/O	PB22D	—	L6C_A0	L9C_A0
—	AN21	5 (BC)	3	I/O	PB23A	—	—	—
AF16	AM15	5 (BC)	—	VDDIO5	VDDIO5	—	—	—
AD15	AK20	5 (BC)	3	I/O	PB23C	PBCK1T	L7T_D0	L10T_D1
AE16	AM21	5 (BC)	3	I/O	PB23D	PBCK1C	L7C_D0	L10C_D1
—	AP22	5 (BC)	3	I/O	PB24A	—	—	—
T12	R13	—	—	Vss	Vss	—	—	—
AC15	AL21	5 (BC)	4	I/O	PB24C	—	L8T_A0	L11T_D1
AC16	AN22	5 (BC)	4	I/O	PB24D	—	L8C_A0	L11C_D1
—	AP23	5 (BC)	4	I/O	PB25A	—	—	—

Pin Information (continued)

Table 20. PBGA Pinout Table (continued)

BM416	BM680	VDDIO Bank	VREF Group	I/O	Pin Description	Additional Function	BM416 Pair	BM680 Pair
AF17	AM20	5 (BC)	—	VDDIO5	VDDIO5	—	—	—
AD16	AN23	5 (BC)	4	I/O	PB25C	—	L9T_D0	L12T_A0
AE17	AN24	5 (BC)	4	I/O	PB25D	VREF_5_04	L9C_D0	L12C_A0
—	AK21	5 (BC)	4	I/O	PB26A	—	—	L13T_A0
—	AL22	5 (BC)	4	I/O	PB26B	—	—	L13C_A0
T15	R14	—	—	Vss	Vss	—	—	—
AF18	AP25	5 (BC)	5	I/O	PB26C	—	L10T_A0	L14T_D1
AE18	AM24	5 (BC)	5	I/O	PB26D	VREF_5_05	L10C_A0	L14C_D1
—	AK22	5 (BC)	5	I/O	PB27A	—	—	L15T_A0
—	AL23	5 (BC)	5	I/O	PB27B	—	—	L15C_A0
AD17	AM23	5 (BC)	—	VDDIO5	VDDIO5	—	—	—
AF19	AN25	5 (BC)	5	I/O	PB27C	—	L11T_A0	L16T_D1
AF20	AL24	5 (BC)	5	I/O	PB27D	—	L11C_A0	L16T_D1
—	AP26	5 (BC)	6	I/O	PB28A	—	—	—
—	R15	—	—	Vss	Vss	—	—	—
AC18	AM25	5 (BC)	6	I/O	PB28C	—	L12T_A0	L17T_D1
AC17	AK23	5 (BC)	6	I/O	PB28D	VREF_5_06	L12C_A0	L17C_D1
—	AN26	5 (BC)	6	I/O	PB29A	—	—	—
—	AL25	5 (BC)	6	I/O	PB29C	—	—	L18T_A0
—	AK24	5 (BC)	6	I/O	PB29D	—	—	L18C_A0
—	AP27	5 (BC)	7	I/O	PB30A	—	—	—
—	R20	—	—	Vss	Vss	—	—	—
AD18	AM26	5 (BC)	7	I/O	PB30C	—	L13T_D0	L19T_A0
AE19	AN27	5 (BC)	7	I/O	PB30D	—	L13C_D0	L19C_A0
—	AP11	5 (BC)	—	VDDIO5	VDDIO5	—	—	—
AE20	AP28	5 (BC)	7	I/O	PB31C	VREF_5_07	L14T_D0	L20T_D1
AD19	AM27	5 (BC)	7	I/O	PB31D	—	L14C_D0	L20C_D1
—	R21	—	—	Vss	Vss	—	—	—
AF21	AL26	5 (BC)	7	I/O	PB32C	—	L15T_A0	L21T_A0
AE21	AK25	5 (BC)	7	I/O	PB32D	—	L15C_A0	L21C_A0
AD20	AP17	5 (BC)	—	VDDIO5	VDDIO5	—	—	—
AC19	AN28	5 (BC)	8	I/O	PB33C	—	—	L22T_A0
—	AP29	5 (BC)	8	I/O	PB33D	VREF_5_08	—	L22C_A0
—	R22	—	—	Vss	Vss	—	—	—
—	AP19	5 (BC)	—	VDDIO5	VDDIO5	—	—	—
—	T16	—	—	Vss	Vss	—	—	—
—	T17	—	—	Vss	Vss	—	—	—
M14	A31	—	—	VDD15	VDD15	—	—	—
AC20	AL27	—	—	I	RX_DAT_IN_10_P/ RX_DAT_IN_0_P	—	L1_D2	L1_A0
AF22	AM28	—	—	I	RX_DAT_IN_10_N/ RX_DAT_IN_0_N	—	L1_D2	L1_A0
N10	C30	—	—	VDD15	VDD15	—	—	—
AE22	AN29	—	—	I	RX_DAT_IN_11_P/ RX_DAT_IN_1_P	—	L2_D0	L2_A0

Note: The pin description for RX_DAT_IN* shows both the naming conventions, 2.5 Gbit/10 Gbit, where only one is valid depending on the mode of operation.

Pin Information (continued)

Table 20. PBGA Pinout Table (continued)

BM416	BM680	VDDIO Bank	VREF Group	I/O	Pin Description	Additional Function	BM416 Pair	BM680 Pair
AD21	AP30	—	—	I	RX_DAT_IN_11_N/ RX_DAT_IN_1_N	—	L2_D0	L2_A0
AF23	—	—	—	VDD33	VDD33	—	—	—
AE23	AL28	—	—	I	RX_DAT_IN_12_P/ RX_DAT_IN_2_P	—	L3_D0	L3_A0
AF24	AM29	—	—	I	RX_DAT_IN_12_N/ RX_DAT_IN_2_N	—	L3_D0	L3_A0
L12	Y34	—	—	Vss	Vss	—	—	—
—	AN30	—	—	VDD33	VDD33	—	—	—
AC21	AK27	—	—	I	RX_DAT_IN_13_P/ RX_DAT_IN_3_P	—	L4_D0	L4_A0
AD22	AK28	—	—	I	RX_DAT_IN_13_N/ RX_DAT_IN_3_N	—	L4_D0	L4_A0
AD23	AL29	—	—	I	RX_CLK_IN_0_P	—	L5_D0	L5_A0
AE24	AM30	—	—	I	RX_CLK_IN_0_N	—	L5_D0	L5_A0
AC22	AN31	—	—	I	LVCTAP_1	—	—	—
AC23	AP32	—	—	VssA_4	VssA_4	—	—	—
AD24	AK30	—	—	VDD33A_4	VDD33A_4	—	—	—
L15	AA13	—	—	Vss	Vss	—	—	—
L16	AA14	—	—	Vss	Vss	—	—	—
N11	C33	—	—	VDD15	VDD15	—	—	—
AE25	AK31	—	—	VDD33A_5	VDD33A_5	—	—	—
AC24	AJ30	—	—	VDD33	VDD33	—	—	—
AD25	AK32	—	—	VssA_5	VssA_5	—	—	—
AD26	AJ31	—	—	I	LVCTAP_2	—	—	—
L17	AA15	—	—	Vss	Vss	—	—	—
—	AH30	—	—	VDD33	VDD33	—	—	—
N12	C34	—	—	VDD15	VDD15	—	—	—
AB23	AK33	—	—	I	RX_DAT_IN_20_P/ RX_DAT_IN_4_P	—	L6_A0	L6_A0
AA23	AJ32	—	—	I	RX_DAT_IN_20_N/ RX_DAT_IN_4_N	—	L6_A0	L6_A0
AC25	AH31	—	—	I	RX_DAT_IN_21_P/ RX_DAT_IN_5_P	—	L7_D0	L7_A0
AB24	AG30	—	—	I	RX_DAT_IN_21_N/ RX_DAT_IN_5_N	—	L7_D0	L7_A0
M10	AA20	—	—	Vss	Vss	—	—	—
AB25	AF30	—	—	I	RX_DAT_IN_22_P/ RX_DAT_IN_6_P	—	L8_D0	L8_A0
AA24	AG31	—	—	I	RX_DAT_IN_22_N/ RX_DAT_IN_6_N	—	L8_D0	L8_A0
AC26	AK34	—	—	I	RX_DAT_IN_23_P/ RX_DAT_IN_7_P	—	L9_A0	L9_A0
AB26	AJ33	—	—	I	RX_DAT_IN_23_N/ RX_DAT_IN_7_N	—	L9_A0	L9_A0
N15	D28	—	—	VDD15	VDD15	—	—	—

Note: The pin description for RX_DAT_IN* shows both the naming conventions, 2.5 Gbit/10 Gbit, where only one is valid depending on the mode of operation.

Pin Information (continued)

Table 20. PBGA Pinout Table (continued)

BM416	BM680	V _{DD} I/O Bank	V _{REF} Group	I/O	Pin Description	Additional Function	BM416 Pair	BM680 Pair
M11	AA21	—	—	V _{SS}	V _{SS}	—	—	—
Y24	AH32	—	—	V _{DD} 33	V _{DD} 33	—	—	—
W23	AE30	—	—	I	LVCTAP_3	—	—	—
M12	AA22	—	—	V _{SS}	V _{SS}	—	—	—
N16	D32	—	—	V _{DD} 15	V _{DD} 15	—	—	—
AA25	AG32	—	—	I	RX_CLK_IN_1_P	—	L10_A0	L10_A0
AA26	AF31	—	—	I	RX_CLK_IN_1_N	—	L10_A0	L10_A0
—	AF32	—	—	V _{DD} 33	V _{DD} 33	—	—	—
M15	AB13	—	—	V _{SS}	V _{SS}	—	—	—
Y23	AC30	—	—	I	RX_DAT_IN_30_P/ RX_DAT_IN_8_P	—	L11_D0	L11_A0
W24	AD30	—	—	I	RX_DAT_IN_30_N/ RX_DAT_IN_8_N	—	L11_D0	L11_A0
N17	D34	—	—	V _{DD} 15	V _{DD} 15	—	—	—
Y25	AE31	—	—	I	RX_DAT_IN_31_P/ RX_DAT_IN_9_P	—	L12_A0	L12_A0
Y26	AE32	—	—	I	RX_DAT_IN_31_N/ RX_DAT_IN_9_N	—	L12_A0	L12_A0
M16	AB14	—	—	V _{SS}	V _{SS}	—	—	—
—	AF33	—	—	V _{DD} 33	V _{DD} 33	—	—	—
W25	AD31	—	—	I	RX_DAT_IN_32_P/ RX_DAT_IN_10_P	—	L13_D0	L13_A0
V24	AD32	—	—	I	RX_DAT_IN_32_N/ RX_DAT_IN_10_N	—	L13_D0	L13_A0
P10	F34	—	—	V _{DD} 15	V _{DD} 15	—	—	—
W26	AB30	—	—	I	LVCTAP_4	—	—	—
V23	AC31	—	—	I	RX_DAT_IN_33_P/ RX_DAT_IN_11_P	—	L14_A0	L14_A0
U23	AC32	—	—	I	RX_DAT_IN_33_N/ RX_DAT_IN_11_N	—	L14_A0	L14_A0
—	AC33	—	—	V _{DD} 33	V _{DD} 33	—	—	—
M17	AB15	—	—	V _{SS}	V _{SS}	—	—	—
V25	AB31	—	—	I	RX_CLK_IN_2_P	—	L15_D0	L15_A0
U24	AB32	—	—	I	RX_CLK_IN_2_N	—	L15_D0	L15_A0
V26	AA30	—	—	I	LVCTAP_5	—	—	—
P11	G33	—	—	V _{DD} 15	V _{DD} 15	—	—	—
U26	AB33	—	—	V _{DD} 33	V _{DD} 33	—	—	—
N13	AB20	—	—	V _{SS}	V _{SS}	—	—	—
U25	AA31	—	—	I	RX_CLK_IN_3_P	—	L16_D0	L16_A0
T24	Y30	—	—	I	RX_CLK_IN_3_N	—	L16_D0	L16_A0
R23	AA32	—	—	I	RX_DAT_IN_40_P/ RX_DAT_IN_12_P	—	L17_A0	L17_A0
T23	AA33	—	—	I	RX_DAT_IN_40_N/ RX_DAT_IN_12_N	—	L17_A0	L17_A0
N14	AB21	—	—	V _{SS}	V _{SS}	—	—	—

Note: The pin description for RX_DAT_IN* shows both the naming conventions, 2.5 Gbit/10 Gbit, where only one is valid depending on the mode of operation.

Pin Information (continued)

Table 20. PBGA Pinout Table (continued)

BM416	BM680	VDDIO Bank	VREF Group	I/O	Pin Description	Additional Function	BM416 Pair	BM680 Pair
P12	G34	—	—	VDD15	VDD15	—	—	—
T25	Y31	—	—	I	RX_DAT_IN_41_P/ RX_DAT_IN_13_P	—	L18_A0	L18_A0
T26	Y32	—	—	I	RX_DAT_IN_41_N/ RX_DAT_IN_13_N	—	L18_A0	L18_A0
—	W30	—	—	VDD33	VDD33	—	—	—
P13	AB22	—	—	Vss	Vss	—	—	—
—	Y33	—	—	VDD33	VDD33	—	—	—
—	J34	—	—	VDD15	VDD15	—	—	—
R24	W31	—	—	I	RX_DAT_IN_42_P/ RX_DAT_IN_14_P	—	L19_A0	L19_A0
R25	W32	—	—	I	RX_DAT_IN_42_N/ RX_DAT_IN_14_N	—	L19_A0	L19_A0
P14	AC34	—	—	Vss	Vss	—	—	—
P15	K33	—	—	VDD15	VDD15	—	—	—
R26	V30	—	—	I	RX_DAT_IN_43_P/ RX_DAT_IN_15_P	—	L20_D0	L20_A0
P25	V31	—	—	I	RX_DAT_IN_43_N/ RX_DAT_IN_15_N	—	L20_D0	L20_A0
P24	W33	—	—	VDD33	VDD33	—	—	—
R10	AE33	—	—	Vss	Vss	—	—	—
P26	V32	—	—	I	LV_REF10	—	—	—
N26	V33	—	—	I	LV_REF14	—	—	—
N23	U33	—	—	I	LV_RES_HI	—	—	—
P23	U31	—	—	I	LV_RES_LO	—	—	—
R11	AF34	—	—	Vss	Vss	—	—	—
—	U30	—	—	VDD33	VDD33	—	—	—
—	K34	—	—	VDD15	VDD15	—	—	—
N25	U32	—	—	O	TX_CLK_OUT_0_P	—	L21_A0	L21_A0
N24	T33	—	—	O	TX_CLK_OUT_0_N	—	L21_A0	L21_A0
R12	AH33	—	—	Vss	Vss	—	—	—
—	T32	—	—	VDD33	VDD33	—	—	—
M26	T31	—	—	O	TX_DAT_OUT_10_P/ TX_DAT_OUT_0_P	—	L22_A0	L22_A0
M25	T30	—	—	O	TX_DAT_OUT_10_N/ TX_DAT_OUT_0_N	—	L22_A0	L22_A0
R15	AJ34	—	—	Vss	Vss	—	—	—
M24	R33	—	—	O	TX_DAT_OUT_11_P/ TX_DAT_OUT_1_P	—	L23_A0	L23_A0
M23	R32	—	—	O	TX_DAT_OUT_11_N/ TX_DAT_OUT_1_N	—	L23_A0	L23_A0
—	M34	—	—	VDD15	VDD15	—	—	—
L26	R31	—	—	O	TX_DAT_OUT_12_P/ TX_DAT_OUT_2_P	—	L24_A0	L24_A0
L25	R30	—	—	O	TX_DAT_OUT_12_N/ TX_DAT_OUT_2_N	—	L24_A0	L24_A0

Note: The pin descriptions for RX_DAT_IN* and TX_DAT_OUT* shows both the naming conventions, 2.5 Gbit/10 Gbit, where only one is valid depending on the mode of operation.

Pin Information (continued)

Table 20. PBGA Pinout Table (continued)

BM416	BM680	VDDIO Bank	VREF Group	I/O	Pin Description	Additional Function	BM416 Pair	BM680 Pair
—	AL2	—	—	Vss	Vss	—	—	—
K26	—	—	—	VDD33	VDD33	—	—	—
—	P33	—	—	VDD33	VDD33	—	—	—
L24	N33	—	—	O	TX_DAT_OUT_13_P/ TX_DAT_OUT_3_P	—	L25_A0	L25_A0
L23	P32	—	—	O	TX_DAT_OUT_13_N/ TX_DAT_OUT_3_N	—	L25_A0	L25_A0
J26	P30	—	—	O	TX_CLK_OUT_1_P	—	L26_D0	L26_A0
K25	P31	—	—	O	TX_CLK_OUT_1_N	—	L26_D0	L26_A0
—	AL4	—	—	Vss	Vss	—	—	—
J25	N32	—	—	O	TX_DAT_OUT_20_P/ TX_DAT_OUT_4_P	—	L27_D0	L27_A0
K24	N31	—	—	O	TX_DAT_OUT_20_N/ TX_DAT_OUT_4_N	—	L27_D0	L27_A0
—	N16	—	—	VDD15	VDD15	—	—	—
—	N30	—	—	VDD33	VDD33	—	—	—
H26	M33	—	—	O	TX_DAT_OUT_21_P/ TX_DAT_OUT_5_P	—	L28_A0	L28_A0
G26	M32	—	—	O	TX_DAT_OUT_21_N/ TX_DAT_OUT_5_N	—	L28_A0	L28_A0
—	AL30	—	—	Vss	Vss	—	—	—
K23	M31	—	—	O	TX_DAT_OUT_22_P/ TX_DAT_OUT_6_P	—	L29_A0	L29_A0
J23	M30	—	—	O	TX_DAT_OUT_22_N/ TX_DAT_OUT_6_N	—	L29_A0	L29_A0
—	L33	—	—	VDD33	VDD33	—	—	—
—	N17	—	—	VDD15	VDD15	—	—	—
J24	L32	—	—	O	TX_DAT_OUT_23_P/ TX_DAT_OUT_7_P	—	L30_D0	L30_A0
H25	K32	—	—	O	TX_DAT_OUT_23_N/ TX_DAT_OUT_7_N	—	L30_D0	L30_A0
—	AL31	—	—	Vss	Vss	—	—	—
H24	L30	—	—	O	TX_CLK_OUT_2_P	—	L31_D0	L31_A0
G25	L31	—	—	O	TX_CLK_OUT_2_N	—	L31_D0	L31_A0
—	N18	—	—	VDD15	VDD15	—	—	—
E26	J31	—	—	O	TX_DAT_OUT_30_P/ TX_DAT_OUT_8_P	—	L32_A0	L32_A0
F26	K31	—	—	O	TX_DAT_OUT_30_N/ TX_DAT_OUT_8_N	—	L32_A0	L32_A0
—	K30	—	—	VDD33	VDD33	—	—	—
—	AM3	—	—	Vss	Vss	—	—	—
G24	H33	—	—	O	TX_DAT_OUT_31_P/ TX_DAT_OUT_9_P	—	L33_D0	L33_A0
H23	J32	—	—	O	TX_DAT_OUT_31_N/ TX_DAT_OUT_9_N	—	L33_D0	L33_A0
G23	H32	—	—	VDD33	VDD33	—	—	—

Note: The pin description for TX_DAT_OUT* shows both the naming conventions, 2.5 Gbit/10 Gbit, where only one is valid depending on the mode of operation.

Pin Information (continued)

Table 20. PBGA Pinout Table (continued)

BM416	BM680	VDDIO Bank	VREF Group	I/O	Pin Description	Additional Function	BM416 Pair	BM680 Pair
F25	H31	—	—	I	TX_CLK_IN_P	—	L34_A0	L34_A0
E25	J30	—	—	I	TX_CLK_IN_N	—	L34_A0	L34_A0
—	N19	—	—	VDD15	VDD15	—	—	—
F24	G32	—	—	I	LVCTAP_6	—	—	—
—	AM13	—	—	Vss	Vss	—	—	—
D26	G31	—	—	O	TX_DAT_OUT_32_P/ TX_DAT_OUT_10_P	—	L35_A0	L35_A0
D25	F32	—	—	O	TX_DAT_OUT_32_N/ TX_DAT_OUT_10_N	—	L35_A0	L35_A0
—	N34	—	—	VDD15	VDD15	—	—	—
—	H30	—	—	VDD33	VDD33	—	—	—
C25	E33	—	—	O	TX_DAT_OUT_33_P/ TX_DAT_OUT_11_P	—	L36_D0	L36_A0
D24	E32	—	—	O	TX_DAT_OUT_33_N/ TX_DAT_OUT_11_N	—	L36_D0	L36_A0
—	AM22	—	—	Vss	Vss	—	—	—
F23	F31	—	—	O	TX_CLK_OUT_3_P	—	L37_D0	L37_A0
E24	E31	—	—	O	TX_CLK_OUT_3_N	—	L37_D0	L37_A0
—	G30	—	—	VDD33	VDD33	—	—	—
—	P16	—	—	VDD15	VDD15	—	—	—
C26	F30	—	—	VDD33	VDD33	—	—	—
B25	E30	—	—	VssA_6	VssA_6	—	—	—
E23	B32	—	—	VDD33	VDD33	—	—	—
C24	C31	—	—	VDD33A_6	VDD33A_6	—	—	—
—	AM32	—	—	Vss	Vss	—	—	—
—	AN2	—	—	Vss	Vss	—	—	—
D23	E29	—	—	VDD33A_7	VDD33A_7	—	—	—
B24	E28	—	—	VssA_7	VssA_7	—	—	—
D22	A32	—	—	O	TX_DAT_OUT_40_N/ TX_DAT_OUT_12_N	—	L38_D0	L38_A0
C23	B31	—	—	O	TX_DAT_OUT_40_P/ TX_DAT_OUT_12_P	—	L38_D0	L38_A0
A24	E27	—	—	O	TX_DAT_OUT_41_N/ TX_DAT_OUT_13_N	—	L39_D0	L39_A0
B23	E26	—	—	O	TX_DAT_OUT_41_P/ TX_DAT_OUT_13_P	—	L39_D0	L39_A0
C22	B30	—	—	VDD33	VDD33	—	—	—
—	P17	—	—	VDD15	VDD15	—	—	—
D21	D29	—	—	O	TX_DAT_OUT_42_N/ TX_DAT_OUT_14_N	—	L40_A0	L40_A0
C21	C29	—	—	O	TX_DAT_OUT_42_P/ TX_DAT_OUT_14_P	—	L40_A0	L40_A0
—	AN33	—	—	Vss	Vss	—	—	—
A23	C28	—	—	O	TX_DAT_OUT_43_N/ TX_DAT_OUT_15_N	—	L41_D0	L41_A0

Note: The pin description for TX_DAT_OUT* shows both the naming conventions, 2.5 Gbit/10 Gbit, where only one is valid depending on the mode of operation.

Pin Information (continued)

Table 20. PBGA Pinout Table (continued)

BM416	BM680	VDDIO Bank	VREF Group	I/O	Pin Description	Additional Function	BM416 Pair	BM680 Pair
B22	D27	—	—	O	TX_DAT_OUT_43_P/ TX_DAT_OUT_15_P	—	L41_D0	L41_A0
A22	A30	—	—	I	PWRDN	—	—	—
B21	E25	—	—	I	RESET_RX	—	—	—
D20	B29	—	—	I	RESET_TX	—	—	—
D19	A29	—	—	I	PLL_BYPASS	—	—	—
K12	T18	—	—	Vss	Vss	—	—	—
K15	T19	—	—	Vss	Vss	—	—	—
—	A11	1 (TC)	—	VDDIO1	VDDIO1	—	—	—
K16	U16	—	—	Vss	Vss	—	—	—
—	A17	1 (TC)	—	VDDIO1	VDDIO1	—	—	—
—	C27	1 (TC)	9	I/O	PT32D	—	—	—
C20	D26	1 (TC)	9	I/O	PT32C	—	—	—
K17	U17	—	—	Vss	Vss	—	—	—
B20	B28	1 (TC)	10	I/O	PT31D	—	L1C_D0	L1C_A0
C19	A28	1 (TC)	10	I/O	PT31C	VREF_1_10	L1T_D0	L1T_A0
—	A19	1 (TC)	—	VDDIO1	VDDIO1	—	—	—
—	B27	1 (TC)	10	I/O	PT30D	—	—	—
L10	U18	—	—	Vss	Vss	—	—	—
—	C26	1 (TC)	10	I/O	PT30A	—	—	—
A21	B26	1 (TC)	10	I/O	PT29D	—	L2C_A0	L2C_A0
A20	A27	1 (TC)	10	I/O	PT29C	—	L2T_A0	L2T_A0
L13	—	—	—	VDD15	VDD15	—	—	—
—	E24	1 (TC)	10	I/O	PT29B	—	—	L3C_A0
—	D25	1 (TC)	10	I/O	PT29A	—	—	L3T_A0
B19	D24	1 (TC)	1	I/O	PT28D	—	L3C_D0	L4C_A0
C18	C25	1 (TC)	1	I/O	PT28C	—	L3T_D0	L4T_A0
L11	U19	—	—	Vss	Vss	—	—	—
—	B25	1 (TC)	1	I/O	PT28B	—	—	L5C_A0
—	A26	1 (TC)	1	I/O	PT28A	—	—	L5T_A0
D18	E23	1 (TC)	1	I/O	PT27D	VREF_1_01	L4C_A0	L6C_A0
D17	D23	1 (TC)	1	I/O	PT27C	—	L4T_A0	L6T_A0
A19	A24	1 (TC)	—	VDDIO1	VDDIO1	—	—	—
B18	C24	1 (TC)	1	I/O	PT27B	—	L5C_D0	L7C_D1
C17	A25	1 (TC)	1	I/O	PT27A	—	L5T_D0	L7T_D1
A18	E22	1 (TC)	2	I/O	PT26D	—	L6C_D0	L8C_A0
B17	E21	1 (TC)	2	I/O	PT26C	VREF_1_02	L6T_D0	L8T_A0
—	U34	—	—	Vss	Vss	—	—	—
—	B24	1 (TC)	2	I/O	PT26B	—	—	L9C_D1
—	D22	1 (TC)	2	I/O	PT26A	—	—	L9T_D1
A17	B23	1 (TC)	2	I/O	PT25D	—	L7C_D0	L10C_A0
B16	A23	1 (TC)	2	I/O	PT25C	—	L7T_D0	L10T_A0
D15	C12	1 (TC)	—	VDDIO1	VDDIO1	—	—	—
D16	D21	1 (TC)	3	I/O	PT24D	—	L8C_A0	L11C_D1

Note: The pin description for TX_DAT_OUT* shows both the naming conventions, 2.5 Gbit/10 Gbit, where only one is valid depending on the mode of operation.

Pin Information (continued)

Table 20. PBGA Pinout Table (continued)

BM416	BM680	VDDIO Bank	VREF Group	I/O	Pin Description	Additional Function	BM416 Pair	BM680 Pair
C16	B22	1 (TC)	3	I/O	PT24C	VREF_1_03	L8T_A0	L11T_D1
—	V16	—	—	Vss	Vss	—	—	—
—	A22	1 (TC)	3	I/O	PT24A	—	—	—
A16	D20	1 (TC)	3	I/O	PT23D	—	L9C_A0	L12C_A0
A15	E20	1 (TC)	3	I/O	PT23C	—	L9T_A0	L12T_A0
B15	C15	1 (TC)	—	VDDIO1	VDDIO1	—	—	—
—	C21	1 (TC)	3	I/O	PT23A	—	—	—
—	B21	1 (TC)	3	I/O	PT22D	—	—	L13C_A0
—	A21	1 (TC)	3	I/O	PT22C	—	—	L13T_A0
—	V17	—	—	Vss	Vss	—	—	—
—	B20	1 (TC)	3	I/O	PT22A	—	—	—
C15	C19	1 (TC)	4	I/O	PT21D	—	L10C_A0	L14C_D1
C14	A20	1 (TC)	4	I/O	PT21C	—	L10T_A0	L14T_D1
L14	—	—	—	VDD15	VDD15	—	—	—
—	D19	1 (TC)	4	I/O	PT20D	—	—	L15C_A0
—	E19	1 (TC)	4	I/O	PT20C	—	—	L15T_A0
—	V18	—	—	Vss	Vss	—	—	—
B14	B19	1 (TC)	4	I/O	PT19D	—	L11C_A0	L16C_A0
A14	B18	1 (TC)	4	I/O	PT19C	VREF_1_04	L11T_A0	L16T_A0
D14	C20	1 (TC)	—	VDDIO1	VDDIO1	—	—	—
—	D18	1 (TC)	4	I/O	PT19B	—	—	L17C_A0
—	E18	1 (TC)	4	I/O	PT19A	—	—	L17T_A0
—	V19	—	—	Vss	Vss	—	—	—
M13	—	—	—	VDD15	VDD15	—	—	—
D13	B17	1 (TC)	5	I/O	PT18D	PTCK1C	L12C_A0	L18C_A0
C13	C17	1 (TC)	5	I/O	PT18C	PTCK1T	L12T_A0	L18T_A0
—	W16	—	—	Vss	Vss	—	—	—
—	D17	1 (TC)	5	I/O	PT18B	—	—	L19C_A0
—	C18	1 (TC)	5	I/O	PT18A	—	—	L19T_A0
B13	A16	1 (TC)	5	I/O	PT17D	PTCK0C	L13C_A0	L20C_A0
A13	B16	1 (TC)	5	I/O	PT17C	PTCK0T	L13T_A0	L20T_A0
—	E17	1 (TC)	5	I/O	PT17A	—	—	—
A12	C16	1 (TC)	5	I/O	PT16D	VREF_1_05	L14C_A0	L21C_A0
B12	D16	1 (TC)	5	I/O	PT16C	—	L14T_A0	L21T_A0
—	W17	—	—	Vss	Vss	—	—	—
—	A15	1 (TC)	5	I/O	PT16A	—	—	—
C12	B15	1 (TC)	6	I/O	PT15D	—	L15C_A0	L22C_A1
D12	D15	1 (TC)	6	I/O	PT15C	—	L15T_A0	L22T_A1
—	C23	1 (TC)	—	VDDIO1	VDDIO1	—	—	—
—	A14	1 (TC)	6	I/O	PT15A	—	—	—
B11	E16	1 (TC)	6	I/O	PT14D	—	L16C_A0	L23C_D1
A11	C14	1 (TC)	6	I/O	PT14C	VREF_1_06	L16T_A0	L23T_D1
—	W18	—	—	Vss	Vss	—	—	—
—	B14	1 (TC)	6	I/O	PT14A	—	—	—
D11	E15	0 (TL)	1	I/O	PT13D	MPI_RTRY_N	L1C_A0	L1C_A0

Pin Information (continued)

Table 20. PBGA Pinout Table (continued)

BM416	BM680	V _{DDIO} Bank	V _{REF} Group	I/O	Pin Description	Additional Function	BM416 Pair	BM680 Pair
C11	D14	0 (TL)	1	I/O	PT13C	MPI_ACK_N	L1T_A0	L1T_A0
A10	C4	0 (TL)	—	V _{DDIO0}	V _{DDIO0}	—	—	—
—	A13	0 (TL)	1	I/O	PT13B	—	—	L2C_A0
C10	B13	0 (TL)	1	I/O	PT13A	VREF_0_01	—	L2T_A0
B10	A12	0 (TL)	1	I/O	PT12D	M0	L2C_D0	L3C_A0
A9	B12	0 (TL)	1	I/O	PT12C	M1	L2T_D0	L3T_A0
—	W19	—	—	V _{SS}	V _{SS}	—	—	—
B9	D13	0 (TL)	2	I/O	PT12B	MPI_CLK	L3C_A0	L4C_A0
C9	E14	0 (TL)	2	I/O	PT12A	A21/MPI_BURST_N	L3T_A0	L4T_A0
D10	B11	0 (TL)	2	I/O	PT11D	M2	L4C_A0	L5C_A0
D9	A10	0 (TL)	2	I/O	PT11C	M3	L4T_A0	L5T_A0
—	D2	0 (TL)	—	V _{DDIO0}	V _{DDIO0}	—	—	—
A8	E13	0 (TL)	2	I/O	PT11B	VREF_0_02	L5C_A0	L6C_A0
B8	D12	0 (TL)	2	I/O	PT11A	MPI_TEA_N	L5T_A0	L6T_A0
—	C11	0 (TL)	3	I/O	PT10D	—	—	L7C_A0
—	B10	0 (TL)	3	I/O	PT10C	—	—	L7T_A0
K13	—	—	—	V _{DD15}	V _{DD15}	—	—	—
—	A9	0 (TL)	3	I/O	PT10A	—	—	—
A7	D11	0 (TL)	3	I/O	PT9D	VREF_0_03	L6C_A0	L8C_D1
A6	B9	0 (TL)	3	I/O	PT9C	—	L6T_A0	L8T_D1
—	Y13	—	—	V _{SS}	V _{SS}	—	—	—
—	A8	0 (TL)	3	I/O	PT9A	—	—	—
C8	E12	0 (TL)	3	I/O	PT8D	D0	L7C_D0	L9C_D1
B7	C10	0 (TL)	3	I/O	PT8C	TMS	L7T_D0	L9T_D1
—	D3	0 (TL)	—	V _{DDIO0}	V _{DDIO0}	—	—	—
C7	D10	0 (TL)	4	I/O	PT7D	A20/MPI_BDIP_N	L8C_D0	L10C_A0
B6	C9	0 (TL)	4	I/O	PT7C	A19/MPI_TSZ1	L8T_D0	L10T_A0
—	Y14	—	—	V _{SS}	V _{SS}	—	—	—
D7	E11	0 (TL)	4	I/O	PT6D	A18/MPI_TSZ0	L9C_A0	L11C_D1
D8	D9	0 (TL)	4	I/O	PT6C	D3	L9T_A0	L11T_D1
A5	E1	0 (TL)	—	V _{DDIO0}	V _{DDIO0}	—	—	—
—	A7	0 (TL)	4	I/O	PT6B	VREF_0_04	—	L12C_A0
—	B8	0 (TL)	4	I/O	PT6A	—	—	L12T_A0
C6	E10	0 (TL)	5	I/O	PT5D	D1	L10C_D0	L13C_D1
B5	C8	0 (TL)	5	I/O	PT5C	D2	L10T_D0	L13T_D1
B26	Y15	—	—	V _{SS}	V _{SS}	—	—	—
—	B7	0 (TL)	5	I/O	PT5B	—	—	L14C_A0
—	A6	0 (TL)	5	I/O	PT5A	VREF_0_05	—	L14T_A0
A4	D8	0 (TL)	5	I/O	PT4D	TDI	L11C_D1	L15C_D1
C5	B6	0 (TL)	5	I/O	PT4C	TCK	L11T_D1	L15T_D1
—	E3	0 (TL)	—	V _{DDIO0}	V _{DDIO0}	—	—	—
—	C7	0 (TL)	5	I/O	PT4B	—	—	L16C_D1
—	A5	0 (TL)	5	I/O	PT4A	—	—	L16T_D1
B3	C6	0 (TL)	6	I/O	PT3D	—	L12C_A0	L17C_A0
A3	B5	0 (TL)	6	I/O	PT3C	VREF_0_06	L12T_A0	L17T_A0
K10	Y20	—	—	V _{SS}	V _{SS}	—	—	—

Pin Information (continued)

Table 20. PBGA Pinout Table (continued)

BM416	BM680	VDDIO Bank	VREF Group	I/O	Pin Description	Additional Function	BM416 Pair	BM680 Pair
—	E9	0 (TL)	6	I/O	PT3B	—	—	L18C_D1
—	D7	0 (TL)	6	I/O	PT3A	—	—	L18T_D1
D5	C5	0 (TL)	6	I/O	PT2D	PLL_CK1C/PPLL	L13C_A0	L19C_A0
D6	D6	0 (TL)	6	I/O	PT2C	PLL_CK1T/PPLL	L13T_A0	L19T_A0
—	E8	0 (TL)	6	I/O	PT2B	—	—	L20C_A0
—	E7	0 (TL)	6	I/O	PT2A	—	—	L20T_A0
B4	A4	—	—	O	PCFG_MPI_IRQ	CFG_IRQ_N/ MPI_IRQ_N	—	—
B2	B4	—	—	I/O	PCCLK	CCLK	—	—
K14	—	—	—	VDD15	VDD15	—	—	—
C4	E6	—	—	I/O	PDONE	DONE	—	—
C3	D5	—	—	VDD33	VDD33	—	—	—
K11	Y21	—	—	Vss	Vss	—	—	—
—	AK26	—	—	VDD33	VDD33	—	—	—
—	P18	—	—	VDD15	VDD15	—	—	—
U13	—	—	—	VDD15	VDD15	—	—	—
—	P19	—	—	VDD15	VDD15	—	—	—
—	R16	—	—	VDD15	VDD15	—	—	—
—	R17	—	—	VDD15	VDD15	—	—	—
—	R18	—	—	VDD15	VDD15	—	—	—
—	R19	—	—	VDD15	VDD15	—	—	—
—	R34	—	—	VDD15	VDD15	—	—	—
—	T13	—	—	VDD15	VDD15	—	—	—
—	T14	—	—	VDD15	VDD15	—	—	—
—	T15	—	—	VDD15	VDD15	—	—	—
—	T20	—	—	VDD15	VDD15	—	—	—
—	T21	—	—	VDD15	VDD15	—	—	—
—	T22	—	—	VDD15	VDD15	—	—	—
—	T34	—	—	VDD15	VDD15	—	—	—
—	U13	—	—	VDD15	VDD15	—	—	—
—	U14	—	—	VDD15	VDD15	—	—	—
—	U15	—	—	VDD15	VDD15	—	—	—
—	U20	—	—	VDD15	VDD15	—	—	—
—	U21	—	—	VDD15	VDD15	—	—	—
—	U22	—	—	VDD15	VDD15	—	—	—
—	V13	—	—	VDD15	VDD15	—	—	—
—	V14	—	—	VDD15	VDD15	—	—	—
—	V15	—	—	VDD15	VDD15	—	—	—
—	V20	—	—	VDD15	VDD15	—	—	—
—	V21	—	—	VDD15	VDD15	—	—	—
—	V22	—	—	VDD15	VDD15	—	—	—
—	V34	—	—	VDD15	VDD15	—	—	—
—	W13	—	—	VDD15	VDD15	—	—	—
—	W14	—	—	VDD15	VDD15	—	—	—
—	W15	—	—	VDD15	VDD15	—	—	—
—	W20	—	—	VDD15	VDD15	—	—	—

Pin Information (continued)

Table 20. PBGA Pinout Table (continued)

BM416	BM680	V _{DDIO} Bank	V _{REF} Group	I/O	Pin Description	Additional Function	BM416 Pair	BM680 Pair
—	W21	—	—	V _{DD15}	V _{DD15}	—	—	—
—	W22	—	—	V _{DD15}	V _{DD15}	—	—	—
—	W34	—	—	V _{DD15}	V _{DD15}	—	—	—
—	Y16	—	—	V _{DD15}	V _{DD15}	—	—	—
—	Y17	—	—	V _{DD15}	V _{DD15}	—	—	—
—	Y18	—	—	V _{DD15}	V _{DD15}	—	—	—
—	Y19	—	—	V _{DD15}	V _{DD15}	—	—	—
—	AA16	—	—	V _{DD15}	V _{DD15}	—	—	—
—	AA17	—	—	V _{DD15}	V _{DD15}	—	—	—
—	AA18	—	—	V _{DD15}	V _{DD15}	—	—	—
—	AA19	—	—	V _{DD15}	V _{DD15}	—	—	—
—	AA34	—	—	V _{DD15}	V _{DD15}	—	—	—
—	AB16	—	—	V _{DD15}	V _{DD15}	—	—	—
—	AB17	—	—	V _{DD15}	V _{DD15}	—	—	—
—	AB18	—	—	V _{DD15}	V _{DD15}	—	—	—
—	AB19	—	—	V _{DD15}	V _{DD15}	—	—	—
—	AB34	—	—	V _{DD15}	V _{DD15}	—	—	—
—	AD33	—	—	V _{DD15}	V _{DD15}	—	—	—
—	AD34	—	—	V _{DD15}	V _{DD15}	—	—	—
—	AE34	—	—	V _{DD15}	V _{DD15}	—	—	—
—	AG33	—	—	V _{DD15}	V _{DD15}	—	—	—
—	AG34	—	—	V _{DD15}	V _{DD15}	—	—	—
—	AH34	—	—	V _{DD15}	V _{DD15}	—	—	—
—	AK29	—	—	V _{DD15}	V _{DD15}	—	—	—
—	AL32	—	—	V _{DD15}	V _{DD15}	—	—	—
—	AL33	—	—	V _{DD15}	V _{DD15}	—	—	—
—	AL34	—	—	V _{DD15}	V _{DD15}	—	—	—
—	AM31	—	—	V _{DD15}	V _{DD15}	—	—	—
—	AM33	—	—	V _{DD15}	V _{DD15}	—	—	—
—	AM34	—	—	V _{DD15}	V _{DD15}	—	—	—
—	AN32	—	—	V _{DD15}	V _{DD15}	—	—	—
—	AP31	—	—	V _{DD15}	V _{DD15}	—	—	—
—	AN34	—	—	V _{SS}	V _{SS}	—	—	—
—	AP1	—	—	V _{SS}	V _{SS}	—	—	—
—	AP4	—	—	V _{SS}	V _{SS}	—	—	—
—	AP33	—	—	V _{SS}	V _{SS}	—	—	—
—	AP34	—	—	V _{SS}	V _{SS}	—	—	—
—	Y22	—	—	V _{SS}	V _{SS}	—	—	—
—	AP24	5 (BC)	—	V _{DDIO5}	V _{DDIO5}	—	—	—
—	AD1	7 (CL)	—	V _{DDIO7}	V _{DDIO7}	—	—	—

Package Thermal Characteristics Summary

There are three thermal parameters that are in common use: Θ_{JA} , ψ_{JC} , and Θ_{JC} . It should be noted that all the parameters are affected, to varying degrees, by package design (including paddle size) and choice of materials, the amount of copper in the test board or system board, and system airflow.

Θ_{JA}

This is the thermal resistance from junction to ambient (theta-JA, R-theta, etc.):

$$\Theta_{JA} = \frac{T_J - T_A}{Q}$$

where T_J is the junction temperature, T_A is the ambient air temperature, and Q is the chip power.

Experimentally, Θ_{JA} is determined when a special thermal test die is assembled into the package of interest, and the part is mounted on the thermal test board. The diodes on the test chip are separately calibrated in an oven. The package/board is placed either in a JEDEC natural convection box or in the wind tunnel, the latter for forced convection measurements. A controlled amount of power (Q) is dissipated in the test chip's heater resistor, the chip's temperature (T_J) is determined by the forward drop on the diodes, and the ambient temperature (T_A) is noted. Note that Θ_{JA} is expressed in units of °C/watt.

ψ_{JC}

This JEDEC designated parameter correlates the junction temperature to the case temperature. It is generally used to infer the junction temperature while the device is operating in the system. It is not considered a true thermal resistance, and it is defined by:

$$\psi_{JC} = \frac{T_J - T_C}{Q}$$

where T_C is the case temperature at top dead center, T_J is the junction temperature, and Q is the chip power. During the Θ_{JA} measurements described above, besides the other parameters measured, an additional temperature reading, T_C , is made with a thermocouple attached at top-dead-center of the case. ψ_{JC} is also expressed in units of °C/W.

Θ_{JC}

This is the thermal resistance from junction to case. It is most often used when attaching a heat sink to the top of the package. It is defined by:

$$\Theta_{JC} = \frac{T_J - T_C}{Q}$$

The parameters in this equation have been defined above. However, the measurements are performed with the case of the part pressed against a water-cooled heat sink to draw most of the heat generated by the chip out the top of the package. It is this difference in the measurement process that differentiates Θ_{JC} from ψ_{JC} . Θ_{JC} is a true thermal resistance and is expressed in units of °C/W.

Θ_{JB}

This is the thermal resistance from junction to board (Θ_{JL}). It is defined by:

$$\Theta_{JB} = \frac{T_J - T_B}{Q}$$

where T_B is the temperature of the board adjacent to a lead measured with a thermocouple. The other parameters on the right-hand side have been defined above. This is considered a true thermal resistance, and the measurement is made with a water-cooled heat sink pressed against the board to draw most of the heat out of the leads. Note that Θ_{JB} is expressed in units of °C/W, and that this parameter and the way it is measured are still in JEDEC committee.

FPSC Maximum Junction Temperature

Once the power dissipated by the FPSC has been determined (see the Estimating Power Dissipation section), the maximum junction temperature of the FPSC can be found. This is needed to determine if speed derating of the device from the 85 °C junction temperature used in all of the delay tables is needed. Using the maximum ambient temperature, T_{Amax} , and the power dissipated by the device, Q (expressed in °C), the maximum junction temperature is approximated by:

$$T_{Jmax} = T_{Amax} + (Q \cdot \Theta_{JA})$$

Figure 21 lists the thermal characteristics for all packages used with the ORCA ORLI10G FPSC.

Package Thermal Characteristics

Table 21. ORCA ORLI10G Plastic Package Thermal Guidelines

Package	Θ_{JA} (°C/W)			Max Power T = 70 °C Max T _J = 125 °C Max 0 fpm (W)
	0 fpm	200 fpm	500 fpm	
416-Pin PBGAM	18.0	16.5	13.5	3.05
680-Pin PBGAM	13.4	11.5	10.5	4.10

Note: The 416-Pin PBGAM and the 680-Pin PBGAM packages include 2 oz. copper plates.

Heat Sink Vendors for BGA Packages

The estimated worst-case power requirements for the ORLI10G with a programmable XGMII to XSBI interface for 10 Gbits/s Ethernet applications is 4 W to 5 W. Consequently, for most applications an external heat sink will be required. Below, in alphabetical order, is a list of heat sink vendors who advertise heat sinks aimed at the BGA market.

Table 22. Heat Sink Vendors

Vendor	Location	Phone
Aavid Thermal Technology	Laconia, NH	(603) 527-2152
Chip Coolers	Warwick, RI	(800) 227-0254
IERC	Burbank, CA	(818) 842-7277
R-Theta	Buffalo, NY	(800) 388-5428
Sanyo Denki	Torrance, CA	(310) 783-5400
Thermalloy	Dallas, TX	(214) 243-4321
Wafefield Engineering	Wakefield, MA	(617) 246-0874

Package Coplanarity

The coplanarity limits of the Agere packages are as follows:

- PBGAM: 8.0 mils

Package Parasitics

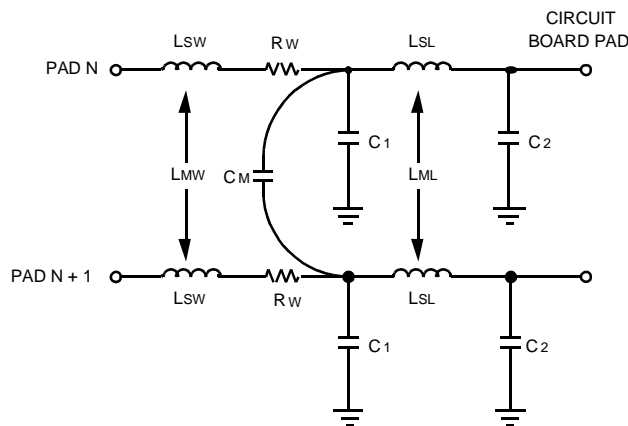
The electrical performance of an IC package, such as signal quality and noise sensitivity, is directly affected by the package parasitics. Table 23 lists eight parasitics associated with the ORCA packages. These parasitics represent the contributions of all components of a package, which include the bond wires, all internal package routing, and the external leads.

Four inductances in nH are listed: LSW and LSL, the self-inductance of the lead; and LMW and LML, the mutual inductance to the nearest neighbor lead. These parameters are important in determining ground bounce noise and inductive crosstalk noise. Three capacitances in pF are listed: CM, the mutual capacitance of the lead to the nearest neighbor lead; and C1 and C2, the total capacitance of the lead to all other leads (all other leads are assumed to be grounded). These parameters are important in determining capacitive crosstalk and the capacitive loading effect of the lead. Resistance values are in mΩ.

The parasitic values in Table 23 are for the circuit model of bond wire and package lead parasitics. If the mutual capacitance value is not used in the designer's model, then the value listed as mutual capacitance should be added to each of the C1 and C2 capacitors.

Table 23. ORCA ORLI10G Package Parasitics

Package Type	LSW	LMW	RW	C1	C2	CM	LSL	LML
416-Pin PBGAM	3.52	0.80	235	0.40	1.0	0.25	1.5—5.0	0.5—1.30
680-Pin PBGAM	3.80	1.30	250	0.50	1.0	0.30	2.8—5.0	0.5—1.50



5-3862(C)r2

Figure 26. Package Parasitics

Package Outline Diagrams

Terms and Definitions

Basic Size (BSC): The basic size of a dimension is the size from which the limits for that dimension are derived by the application of the allowance and the tolerance.

Design Size: The design size of a dimension is the actual size of the design, including an allowance for fit and tolerance.

Typical (TYP): When specified after a dimension, this indicates the repeated design size if a tolerance is specified or repeated basic size if a tolerance is not specified.

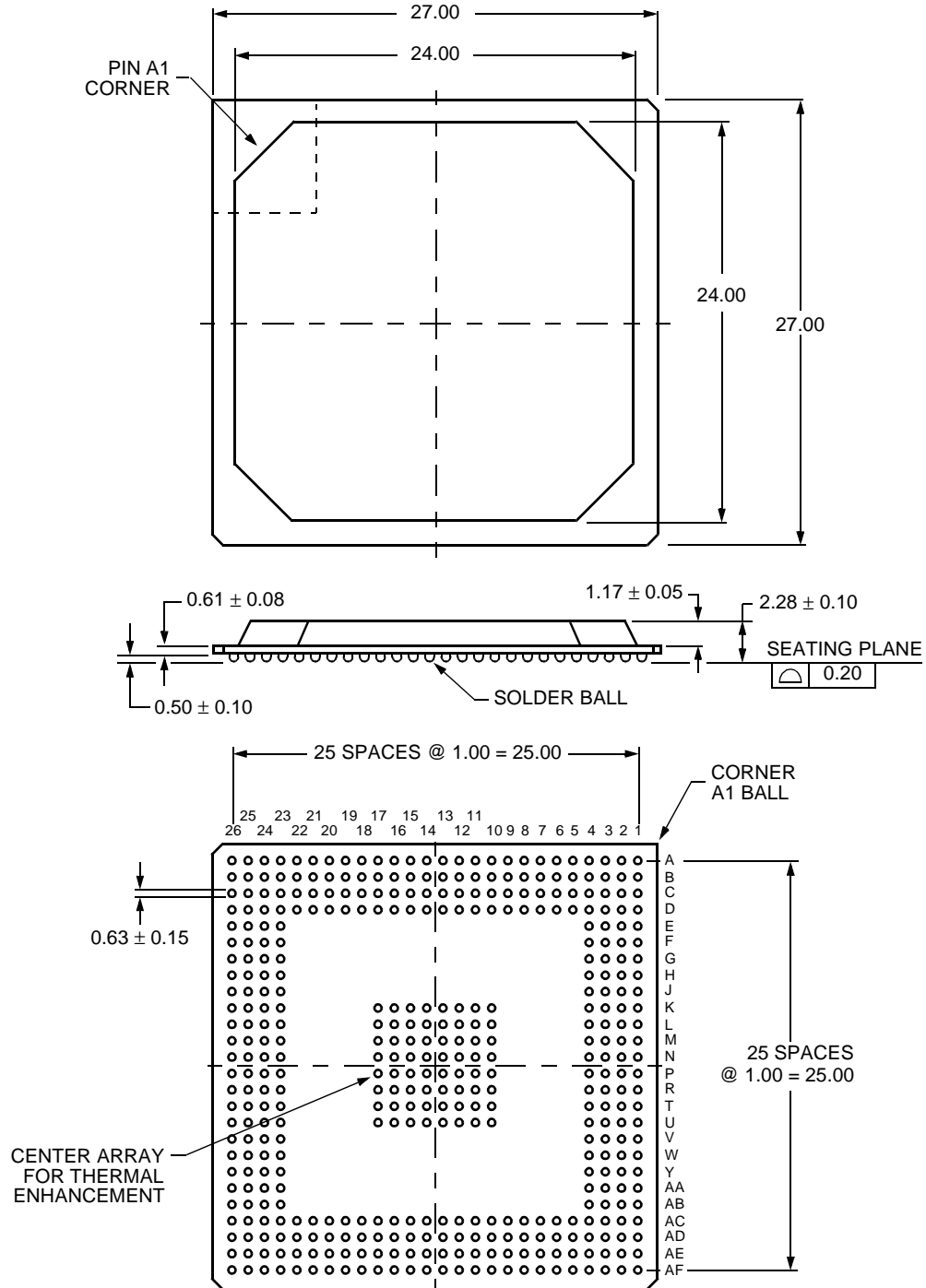
Reference (REF): The reference dimension is an untoleranced dimension used for informational purposes only. It is a repeated dimension or one that can be derived from other values in the drawing.

Minimum (MIN) or Maximum (MAX): Indicates the minimum or maximum allowable size of a dimension.

Package Outline Diagrams (continued)

416-Pin PBGAM

Dimensions are in millimeters.

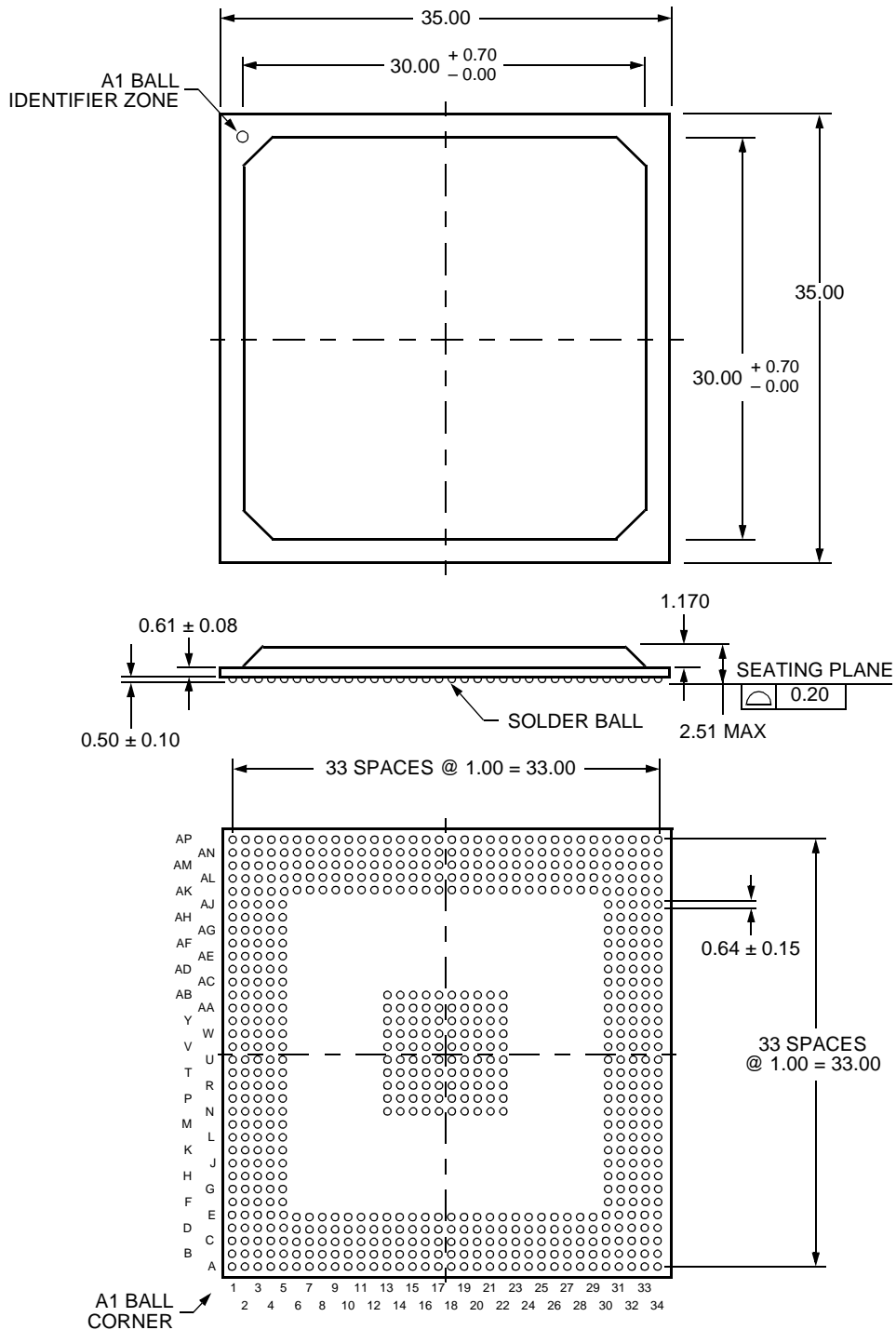


1139(F)

Package Outline Diagrams (continued)

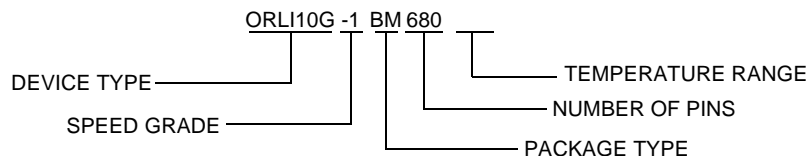
680-Pin PBGAM

Dimensions are in millimeters.



5-4406(F)

Hardware Ordering Information



5-6435 (F).Q

ORLI10G, -1 speed grade, 680-pin plastic ball grid array multilayer (PBGAM).

Table 24. Device Type Options

Device	Voltage
ORLI10G	1.5 V internal

Table 25. Temperature Options

Symbol	Description	Temperature
(Blank)	Industrial	-40 °C to +85 °C

Table 26. Package Options

Symbol	Description
BM	Plastic Ball Grid Array, Multilayer (PBGAM)

Table 27. Package Matrix (Speed Grade)

Devices	416-Pin PBGAM	680-Pin PBGAM
ORLI10G	-1, -2, -3	-1, -2, -3

Software Ordering Information

Implementing a design in an ORLI10G FPSC requires the *ORCA* Foundry development system and an ORLI10G design kit. For ordering information please visit:

<http://www.agere.com/micro/netcom/ipkits>

IEEE is a registered trademark of The Institute of Electrical and Electronics Engineers, Inc.
EIA is a registered trademark of Electronic Industries Association.
PAL is a trademark of Advanced Micro Devices, Inc.
PowerPC is a registered trademark of International Business Machines, Inc.
AMBA is a trademark and *ARM* is a registered trademark of Advanced RISC Machines Limited.
Synopsys Smart Model is a registered trademark of Synopsys, Inc.
Motorola is a registered trademark of Motorola, Inc.

For additional information, contact your Agere Systems Account Manager or the following:

INTERNET: <http://www.agere.com> or for FPGAs/FPSCs <http://www.agere.com/orca>

E-MAIL: docmaster@agere.com

N. AMERICA: Agere Systems Inc., 555 Union Boulevard, Room 30L-15P-BA, Allentown, PA 18109-3286

1-800-372-2447, FAX 610-712-4106 (In CANADA: **1-800-553-2448**, FAX 610-712-4106)

ASIA: Agere Systems Hong Kong Ltd., Suites 3201 & 3210-12, 32/F, Tower 2, The Gateway, Harbour City, Kowloon

Tel. (852) 3129-2000, FAX (852) 3129-2020

CHINA: **(86) 21-5047-1212** (Shanghai), **(86) 10-6522-5566** (Beijing), **(86) 755-695-7224** (Shenzhen)

JAPAN: **(81) 3-5421-1600** (Tokyo), KOREA: **(82) 2-767-1850** (Seoul), SINGAPORE: **(65) 778-8833**, TAIWAN: **(886) 2-2725-5858** (Taipei)

EUROPE: **Tel. (44) 7000 624624**, FAX (44) 1344 488 045

Agere Systems Inc. reserves the right to make changes to the product(s) or information contained herein without notice. No liability is assumed as a result of their use or application. *ORCA* is a registered trademark of Agere Systems Inc. Foundry is a trademark of Xilinx.