

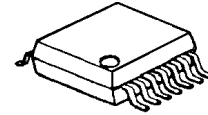
## 455kHz INPUT FM IF DEMODULATOR IC

### ■ GENERAL DESCRIPTION

The **NJM2590** is a low current FM IF demodulator IC with 455kHz (standard) IF input, which operates from 1.6V supply.

The **NJM2590** contains the minimum functions required to FM IF demodulator, that is, IF amplifier, quadrature detector, active filter, FSK comparator, RSSI, and RSSI comparator. It offers unmatched design flexibility.

### ■ PACKAGE OUTLINE

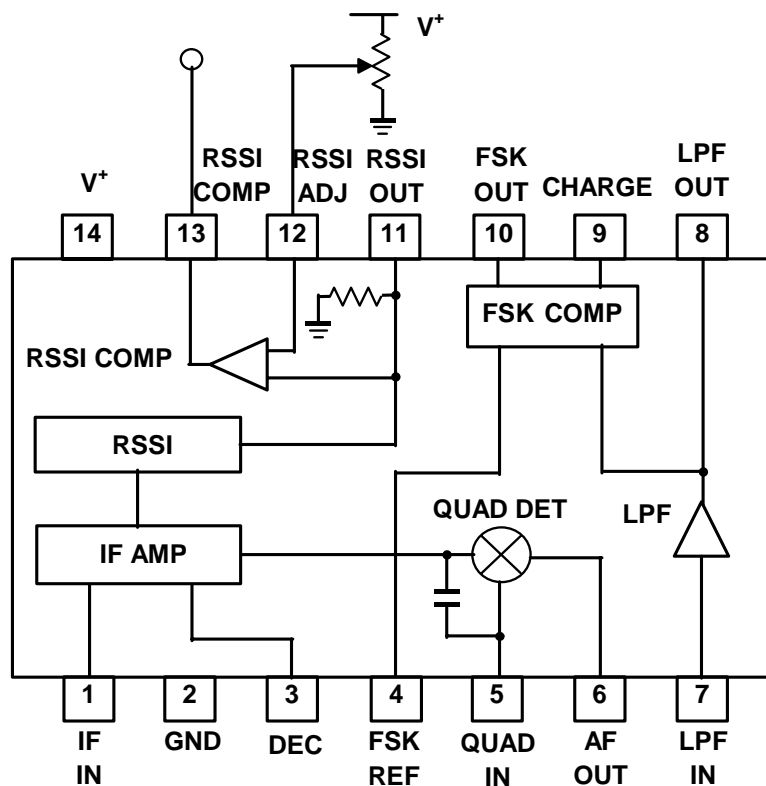


NJM2590V

### ■ FEATURES

- Low Operating Voltage      1.6V to 4.0V
- Low Operating Current      550 $\mu$ A at  $V^+=1.8V$
- IF Input Frequency      455kHz (standard)
- RSSI Comparator
- Bipolar Technology
- Package Outline      SSOP14

### ■ BLOCK DIAGRAM



[CAUTION]

The specifications on this databook are only given for information, without any guarantee as regards either mistakes or omissions. The application circuits in this databook are described only to show representative usages of the product and not intended for the guarantee or permission of any right including the industrial rights.